

Transmission Chain

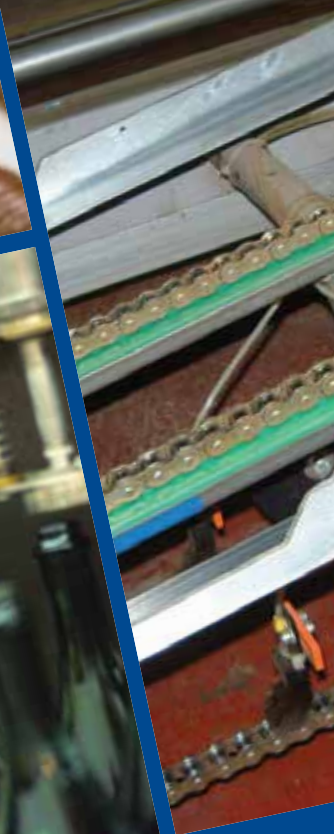
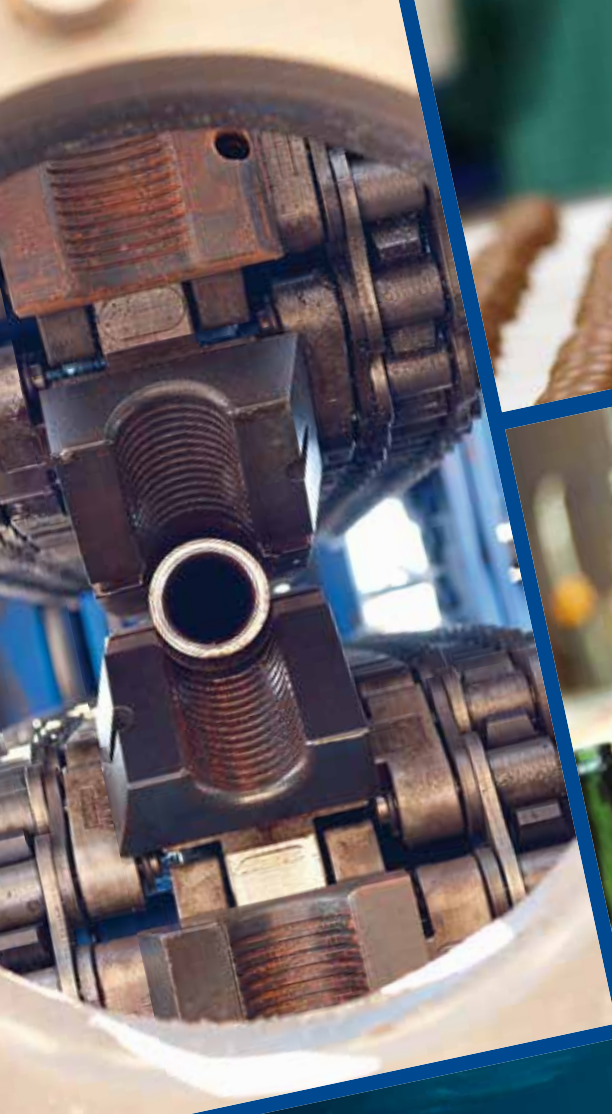
Product catalogue



RENOLD

Superior Chain Technology

www.renold.com





Renold Chain.

Keeping the world moving and delivering maximum performance.

Table of Contents

Section 1 - European (BS) and ANSI products and dimensions

- Transmission Chain: components and connecting links 7**
- Range Overview..... 8**
 - Solution Chains - Synergy summary 8
 - Solution Chains - Syno summary 9
 - Solution Chains - Nickel / Stainless / Zinc 10
 - Solution Chains - Hydro-Service / Sovereign / Klik-Top 11
- High Performance..... 12**
 - Synergy - BS 12
 - Synergy - ANSI 13
- Maintenance Free..... 14**
 - Syno (NP) - BS 14
 - Syno (NP) - ANSI 15
 - Syno Polymer Bush 16
 - Syno PC 17
- Corrosion Resistant..... 18**
 - Hydro-Service - BS 18
 - Hydro-Service - ANSI 19
 - Stainless Steel 20
 - Nickel plated..... 21
 - Zinc plated 22
- Abrasion Resistant..... 23**
 - Sovereign 23
- Standard Transmission Chain..... 24**
 - Renold brand BS - simplex 24
 - Renold brand BS - duplex & triplex 25
 - Renold brand ANSI - simplex 26
 - Renold brand ANSI - duplex & triplex 27
 - Renold A&S - BS 28
 - Renold A&S - ANSI 29
 - Renold SD - BS 30
 - Renold SD - ANSI 31

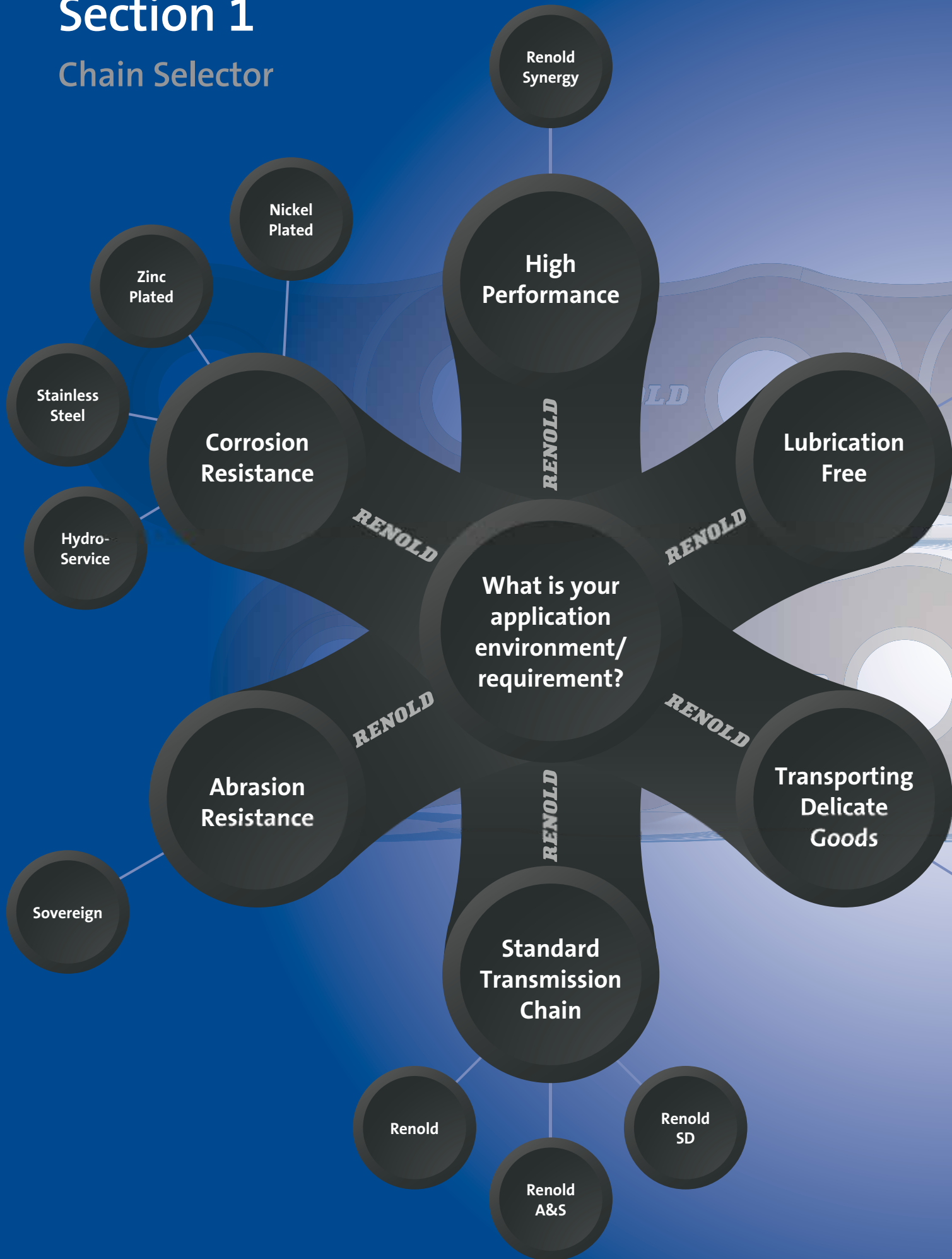
- Standard BS Attachments..... 32**
- Standard ANSI Attachments..... 41**
- Heavy Series Chain 50**
 - ANSI Heavy Series introduction..... 50
 - ANSI Heavy Series specification 51
- Multiplex 53**
- Straight Side Plate 54**
- Cranked Link 55**
- Hollow Bearing Pin 56**
- Sidebow Chain 57**
- Polymer Block Chain..... 58**
 - Klik-Top chain information..... 58
 - Klik-Top dimensions 59
 - Polymer Block chain information 60
- Chain Tensioners 65**
 - Roll-Ring 65
- Sprockets 68**
- Counterweight Sets..... 82**
- Rack Sets 83**
- Chain Guides 85**
- Rivet Extractors and Chain Lubricant 85**

Section 2 - Industry applications

- Examples of Renold Chain in action 86**

Section 1

Chain Selector



Renold Chain Selector

Behind every conceivable industry and application environment; heavy or light duty, indoor or outdoor, clean or contaminated, high or low temperature, Renold is hard at work delivering performance and increasing productivity. Whatever your working environment or chain requirement – *Renold has the chain for you.*

RENOLD

Syno NP

Syno PB

Syno PC

Renold
Syno



RENOLD Synergy™

High Performance –

Synergy: Highly wear resistant



RENOLD Syno™

Lubrication Free –

Syno: Maintenance Free



Hydro-Service™

Corrosion Resistance –

Hydro-Service: Strength of carbon steel chain with superior corrosion resistance



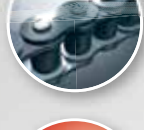
Stainless Steel

Stainless Steel: Excellent corrosion resistance for medium load applications



Zinc-Plated

Zinc plated: Corrosion resistance for suitable environments



Nickel-Plated

Nickel plated: Corrosion resistance for suitable environments



Sovereign™

Abrasion Resistance –

Sovereign: Designed for dusty environments



Klik-Top™

Transporting Delicate Goods –

Klik-Top: Polymer Block chain made easy

Klik-Top



RENOLD™

Standard Chain –

Renold: Premier wear and fatigue resistance for standard chain



RENOLD A&S™

Renold A&S: All purpose transmission chain



RENOLD SD™

Renold SD: Standard Duty transmission chain

Section 1

European (BS) & ANSI products and dimensions



Transmission Chain: Components and Connecting Links

The Renold precision steel roller chain is a highly efficient and versatile means of transmitting mechanical power, which, in the field of industrial applications, has almost completely superseded all other types of chain previously used.

The illustration (right) shows component parts of the outer link and of the inner link of a Renold simple roller chain.

As illustrated, the Renold precision steel roller chain consists of a series of journal bearings held in precise relationship to each other by the constraining link plates. Each bearing consists of a bearing pin and bush on which the chain roller revolves. The bearing pin and bush are case hardened to allow articulation under high pressures, and to contend with the load carrying pressures and gearing action imparted via the chain rollers.

All chains are classified according to pitch (the distance between the centres of adjacent bearing pins), roller diameter and width between inner plates. Collectively, these dimensions are known as the gearing dimensions, as they determine the form and width of the sprocket teeth.

Standard links

The chain parts and connecting links illustrated are only indicative of the types available. Please refer to the appropriate product page for the parts relevant to individual chains.

No. 4
Inner Link (BS/DIN)
Roller Link (ANSI)



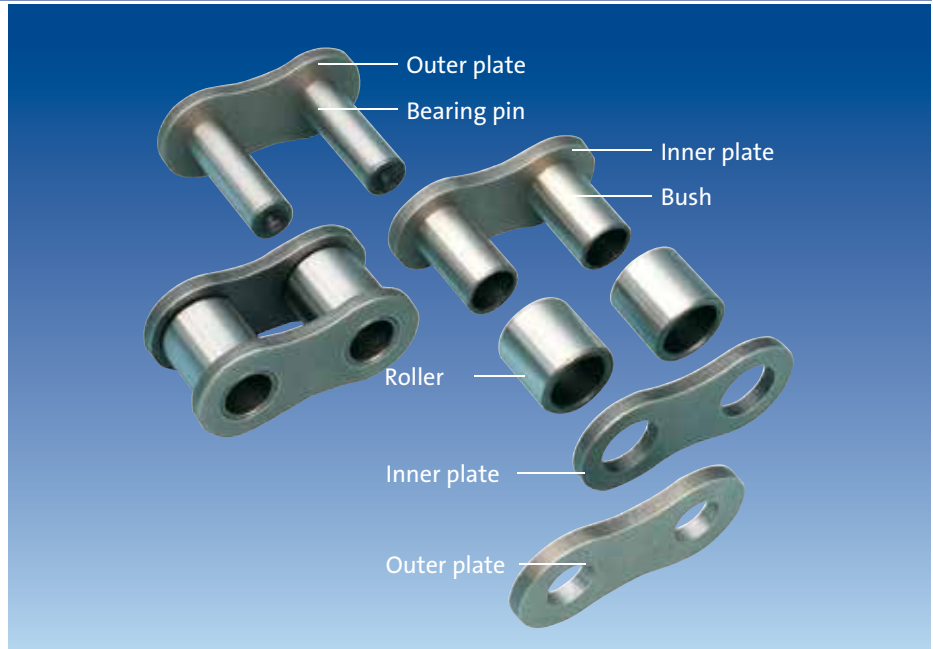
These are complete assemblies for use with all sizes and types of chain. The unit consists of two inner plates pressed on to the bushes which carry the rollers. (Inner links for use with bush chains have no rollers).

No. 107
Outer Link - Press Fit (BS/DIN)
Riveting Pin Link - Press Fit (ANSI)



For use with all sizes and types of chain where optimum security is desired. The link is supplied with bearing pins riveted into one outer plate. The other outer plate is an interference fit on the bearing pins, the ends of which should be riveted over after the plate is fitted.

Press fit connecting links should only be used once; new links must be used to replace dismantled links. (See 'Riveting Chain Endless' for full instructions).



No. 11
Connecting Link - Slip Fit
(BS/DIN/ANSI)



A connecting link supplied with two connecting pins riveted into the outer plate. The outer plate is a clearance fit on the connecting pins and is secured in position by a split pin through the projecting end of each connecting pin.

No. 26
Connecting Link - Slip Fit
(BS/DIN/ANSI)



Used on short pitch chains only. Supplied with two connecting pins riveted into the outer plate, the clearance fit connecting plate being secured by means of a spring clip, No. 27, which snaps into the grooves in the pins.

No. 58
Connecting Link - Press Fit
(BS/DIN/ANSI)



The standard connecting link for ANSI series detachable chains, also used on riveted chains where high speeds or arduous conditions are encountered. Supplied with two connecting pins riveted into the outer plate, the other outer plate being a press fit onto the pins and secured by split pins after assembly.

Press fit connecting links can only be used once; new links must always be used to replace dismantled links.

Cranked links

Apart from the specialised chains where the cranked link is an essential design feature, cranked links are used only where the chain length must be an odd number of pitches. This practice is not recommended; all drives should, wherever possible, be designed with sufficient overall adjustment to ensure the use of an even number of pitches throughout the chain. **DO NOT USE CRANKED LINKS ON IMPULSIVE, HIGHLY LOADED OR HIGH SPEED DRIVES.**

No. 12
Cranked Link - Slip Fit (BS/DIN)
Offset Link - Slip Fit (ANSI)



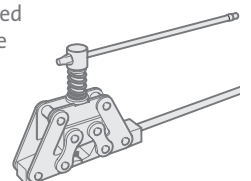
A single link with cranked plates pressed onto a bush and roller assemble at the narrow end. A clearance fit connecting pin (No. 128) is fitted at the wide end and is secured by a split pin.

No. 30
Cranked Link Double (BS/DIN)
Two Pitch Offset Link (ANSI)



Double cranked links are available for most sizes and types of chain. The unit consists of an inner link (No. 4), with cranked links retained permanently in position by a riveted bearing pin.

Screw operated extractors break chain by forcing the Renold end softened bearing pins out of the outer link plates. For other brands of chain, the rivet swell must first be ground away.



Solution Chains from Renold

RENOLD
Synergy™

**LASTS 3 TIMES LONGER IN WEAR*
THAN YOUR CURRENT CHAIN
OR THE NEXT CHAIN IS FREE**

Renold Synergy Wear Life Guarantee

Renold Synergy® will last three times longer in wear* than your current non-Renold chain or your next chain is free. It's that simple

If you're experiencing unsatisfactory working life from a non-Renold chain, try Renold Synergy® and you will see productivity increase, downtime cut and costs saved.

We are so confident that it will significantly outlast any other non-Renold chain that we will give you a replacement chain free.

There has never been a better time to specify Renold Synergy® – the only high performance transmission chain.

Renold Synergy® has transformed the productivity and efficiency of all these industrial applications and more.

- Pharmaceutical
- Bottling
- Fruit Washing
- Iron & Steel
- Packaging
- Confectionary
- Tyre Manufacture
- Timber Processing
- Textiles
- Pipe Handling Conveyor
- Fibreglass Insulation
- Wood Board Processing
- Breeze Block Manufacturing
- Bakery
- Blast Freezer
- Wool Processing
- Furnace Conveyor
- Steel Crusher

For more details on the
Renold Synergy® Wear Life
Guarantee, go to
renold.com/synergypromotion

* Under normal operating conditions. For further information on the promotion and the manufacturer's recommendations please go to renold.com/synergypromotion

Solution Chains from Renold



The Renold Syno range sets a new benchmark for lube-free performance.

Renold Syno NP chain

This dry-to-the-touch chain now includes more performance enhancing characteristics than ever before. Using the latest techniques, Renold have incorporated special surface treatment processes to improve the bonding of the nickel plating. This type of plating is not prone to chipping or peeling as some other plated chains are prone to doing.

The pin coating minimises friction, improving wear life and reducing vibration, while the FDA-approved coating on the roller and the USDA H1-approved lubricant within the chain make it ideal for food processing environments.

- Dry-to-the-touch chain
- Never needs relubrication
- FDA-approved coating on rollers
- Nickel-plating on plates won't chip or peel
- Good resistance to corrosion
- Food industry-approved lubricant inside chain when supplied
- Standard chain dimensions so can be exchanged "like for like"
- Will run on standard sprockets
- BS: 1/2" to 1 1/2" simplex and duplex (06B-1 to 24B-1 and 06B-2 to 24B-2)
- ANSI: 1/2" to 1 1/4" simplex and duplex (40-1 to 100-1 and 40-2 to 100-2)

Renold Syno Nickel Plated chain outlasts any comparable competitor product promoted as low-lube or non-lube. It can be used in temperatures ranging from -20°C to 150°C. Special models for temperatures up to 200°C are also possible.



Syno NP

Renold Syno PC chain

Renold has added to its impressive Syno range of chain for applications where lubrication is either difficult or impractical. The latest element is the introduction of a poly-steel chain, Renold Syno PC chain, comprising a polymer inner link and stainless steel pins and outer plates.

With no metal bush or roller there is no lubricant required to facilitate metal-on-metal movement. This opens up applications where the chain could even run submerged in water if required.

This construction also means the chain is corrosion resistant, light weight and versatile. Attachments can be fitted to the outer plates if required.

- No lubrication required
- Can operate in wet conditions, even submerged
- Lightweight construction
- Attachments can be added



Syno PC

Renold Syno PB chain

For higher loads and more heavy-duty applications, the Renold Syno range takes on the serious business of wear and fatigue resistance through the addition of a polymer sleeve between the pin and bush.

- Absolutely no lubrication
- Highly durable and wear resistant polymer bush – exclusive to Renold
- Polymer roller tested for impact resistance and load capabilities
- Can be operated without any lubrication
- Available in 28B – 40B and ANSI 120 to 200

Ideal for applications where it is not possible or not advisable to lubricate a chain, Renold Syno Polymer Bush chain can be considered for:

- Outdoor or wash down environments
- Car assembly plants or steel mills
- Environments where lubrication may contaminate products
- Forestry; saw mills or paper mills
- Textile plants
- Mixers
- Environments where lubrication may cause contaminants to stick to the chain and possibly get into bearing areas, seizing up the chain.

With a corrosion resistant surface treatment adding to the variety of applications it can cope with, Renold Syno Polymer Bush chain is a truly versatile product.



Syno PB

Solution Chains from Renold



Nickel Plated chain

Renold Nickel Plated chain delivers excellent corrosion protection. Ideal for applications such as bottling where spillages can lead to corrosion the specification for this chain is designed to optimise its performance. Every modification is made to push the wear and fatigue resistance to the maximum as well as delivering corrosion resistance.

Features and benefits:

- Hexavalent chrome free
- 400 hours corrosion protection during salt spray tests to DIN 50021
- Cold extruded, solid bush and roller delivering maximum Renold performance
- Plates and rollers shot peened to our exact specifications
- Wear and fatigue resistance that delivers maximum working life
- Lubrication that improves wear performance
- Tensile strength is approximately 85% that of standard carbon steel chain



Stainless Steel chain

Renold Stainless Steel chain is made from high grades of rust-proof steel.

These perform extremely well in environments that are acidic, alkaline, where direct contact with food is a consideration, where the chain will be exposed to water, and for very high or very low temperature locations (-40° to +400°C) where resistance to corrosion is a requirement.

Renold Stainless Steel chain should be selected when resistance to chemical action is critical. It is manufactured using FDA approved material and is prelubricated with USDA H1 approved lubricant.

Features and benefits:

- All components made from rust-proof steel
- All components receive surface finishing to remove stress raisers
- Lubrication that improves wear performance
- Tensile strength is approximately 65% that of standard carbon steel chain



Zinc Plated chain

This is a new zinc plating from Renold. Ideal for applications susceptible to light corrosion, the new plating has one consistent appearance, replacing the yellow and blue chromated versions previously available and delivering the same high levels of corrosion resistance.

Every component is plated before assembly and the chain has improved wear resistance under normal loads due to the new surface treatment.

Features and benefits:

- Hexavalent chrome free
- 250 hours corrosion protection during salt spray tests to DIN 50021
- Cold extruded, solid bush and roller delivering maximum Renold performance
- Plates and rollers shot peened to our exact specifications
- Wear and fatigue resistance that delivers maximum working life
- Lubrication that improves wear performance
- Tensile strength is approximately 85% that of standard carbon steel chain



Solution Chains from Renold

Renold Hydro-Service

Renold Hydro-Service chain delivers superior corrosion resistance, lasting as much as 30 times longer than standard carbon steel in applications that have to deal with water or salt spray. It is ideal for wash-down environments. Hydro-Service chain is also more economical, and stronger, than stainless steel.

Each component is mechanically treated prior to assembly to ensure consistent, secure protection. The surface treatment is free of hexavalent chrome, complying with legislation relating to environmental and health & safety considerations.

Features and benefits:

- Superior corrosion resistance
- Last as much as 30 times longer than standard carbon steel
- Hexavalent chrome free
- 350 hours corrosion protection during salt spray tests to DIN 50021
- Cold extruded, solid bush and roller delivering maximum Renold performance
- Plates and rollers shot peened to our exact specifications
- Wear and fatigue resistance that delivers maximum working life
- Lubrication that improves wear performance



Renold Sovereign

Some applications demand a specific solution. Trying to run a standard specification chain in a harsh environment will lead to dramatically reduced working life, possible chain failure and expensive downtime and all this can be avoided by specifying the chain that's designed for the job.

Abrasive environments such as brick and tile manufacture, which are characterised by dust and debris, are perfect examples of applications that demand the inclusion of Renold Sovereign chain. Renold Sovereign includes a particular surface treatment that ensures greatly increased wear resistance.

The chain is able to withstand the effect of dust and debris infiltrating the bearing areas between

pins, bushes and plates, an effect that would quickly grind away a standard specification chain.

Features and benefits:

- Resilient, durable components
- Up to 3 times longer wear life than standard chain in harsh environments
- Up to 4 times longer wear life than low maintenance chain in harsh environments
- Reduced pin wear
- Suitable for high speed or heavy load applications
- Excellent reliability giving reduced maintenance costs
- Ideal for situations of irregular or restricted maintenance



Renold Klik-Top™

Klik-Top™ polymer block chain is quick to install, strong, and will cut costly downtime experienced when using conventional polymer block chain.

Klik-Top™ chain ensures reliability, quality and great value for money.

Ideal for conveying delicate items such as glass, wood and packaging.

You can have confidence in Klik-Top™ chain.

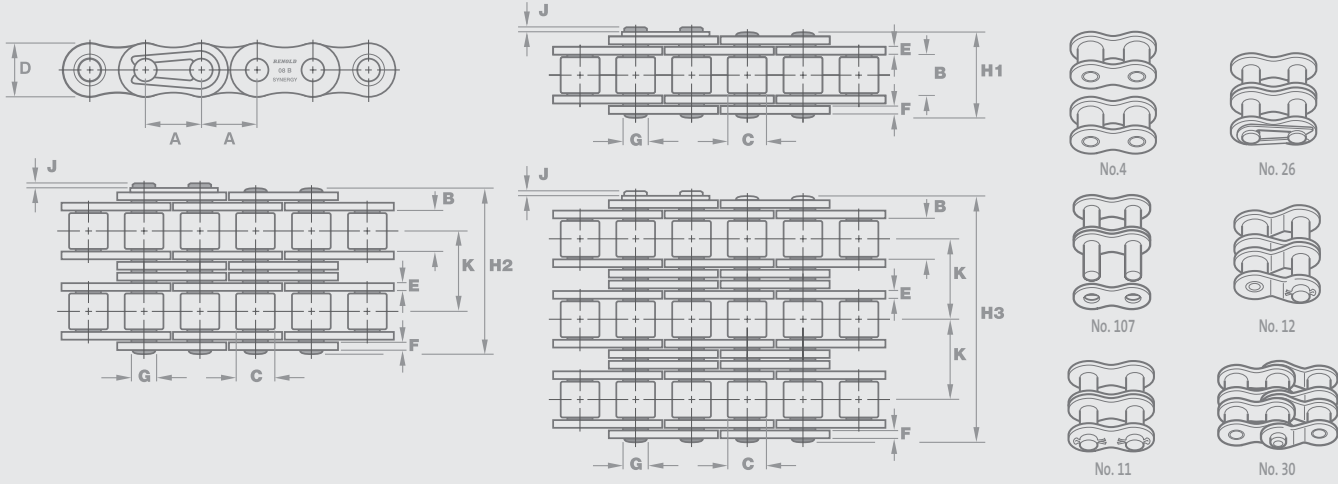
Features and benefits:

- New synthetic clip with special profile
- Protecting your goods from damage and the base chain from wear
- Rapidly exchangeable clip using Klik-Top™ mechanism
- Increase your productivity by reducing downtime
- 08B-1, 12B-1 and 16B-1 base chains available
- Maintenance free and stainless base chains available
- Different coloured clip marks the position of a connecting link



Renold Synergy®

High Performance Chain



Chain Ref.		Technical Details (mm)													Connecting Links	
Renold Chain No.	ISO Ref.	Pitch (inch)	Pitch (mm)	Inside Width	Roller Diam.	Plate Height	Plate Width Inner	Plate Width Outer	Pin Diam.	Pin Length	Conn. Link Extension	Transverse Pitch	ISO606 Tensile Strength (NEWTONS)	Weight kg/m		
					MIN	MAX	MAX	MAX	MAX	MAX	MAX	NOM	MIN			

European (BS) Standard - Simplex

		A	A	B	C	D	E	F	G	H1	J	K				
GY06B1*	06B-1	0.375	9.525	5.72	6.35	8.20	1.29	1.04	3.28	12.5	1.3	-	8900	0.39	4	107 26 30
GY08B1	08B-1	0.500	12.700	7.75	8.51	11.70	1.55	1.55	4.45	16.5	2.0	-	17800	0.70	4	107 26 30
111044	-	0.500	12.700	3.30	7.75	9.60	1.13	0.98	4.09	9.8	2.0	-	8900	0.30	4	107 26 30
111046	-	0.500	12.700	4.88	7.75	9.60	1.13	0.98	4.09	11.4	2.0	-	8900	0.35	4	107 26 30
GY08B1NA	-	0.500	12.700	5.21	8.51	11.70	1.55	1.55	4.45	14.5	2.0	-	17800	0.70	4	107 26 30
GY10B1	10B-1	0.625	15.875	9.65	10.16	14.60	1.55	1.55	5.08	18.8	2.5	-	22200	0.96	4	107 26 30
GY10B1NA	-	0.625	15.875	6.48	10.16	14.60	1.55	1.55	5.08	16.0	2.5	-	22200	0.81	4	107 26 30
GY12B1	12B-1	0.750	19.050	11.68	12.07	16.00	1.81	1.81	5.72	21.9	2.6	-	28900	1.22	4	107 26 30
GY16B1	16B-1	1.000	25.400	17.02	15.88	21.08	4.12	3.10	8.28	34.9	2.2	-	60000	2.80	4	107 26 12
GY20B1	20B-1	1.250	31.750	19.56	19.05	26.42	4.62	3.61	10.19	39.8	2.7	-	95000	3.85	4	107 26 12
GY24B1	24B-1	1.500	38.100	25.40	25.40	33.40	6.10	5.08	14.63	52.6	6.8	-	160000	7.45	4	107 11 12

European (BS) Standard - Duplex

		A	A	B	C	D	E	F	G	H1	J	K				
GY06B2*	06B-2	0.375	9.525	5.72	6.35	8.20	1.29	1.04	3.28	23.0	1.3	10.24	16900	0.78	4	107 26 30
GY08B2	08B-2	0.500	12.700	7.75	8.51	11.70	1.55	1.55	4.45	30.4	2.0	13.92	31100	1.38	4	107 26 30
GY10B2	10B-2	0.625	15.875	9.65	10.16	14.60	1.55	1.55	5.08	35.4	2.5	16.59	44500	1.69	4	107 26 30
GY12B2	12B-2	0.750	19.050	11.68	12.07	16.00	1.81	1.81	5.72	41.4	2.6	19.46	57800	2.42	4	107 26 30
GY16B2	16B-2	1.000	25.400	17.02	15.88	21.08	4.12	3.10	8.28	66.8	2.2	31.88	106000	5.50	4	107 26 12
GY20B2	20B-2	1.250	31.750	19.56	19.05	26.42	4.62	3.61	10.19	76.7	2.7	36.45	170000	7.80	4	107 26 12
GY24B2	24B-2	1.500	38.100	25.40	25.40	33.40	6.10	5.08	14.63	101.3	6.8	48.36	280000	14.80	4	107 11 12

* Straight side plates

For the use of roller or bush chains in lifting applications, it is necessary to specify this in the order to ensure the specific CE mark will be given.

Also available in European (BS) Standard triplex chain

For further information:

t: +44 (0) 161 498 4600
 f: +44 (0) 161 498 4565
 e: enquiry@renold.com
 w: www.renold.com

Also available from Renold



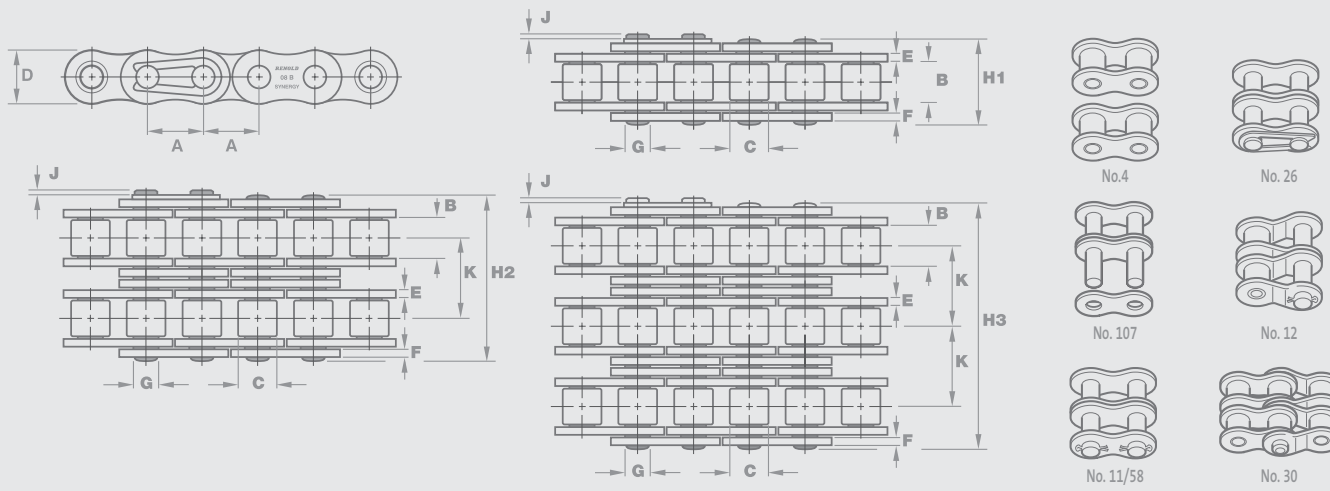
Roll-Ring Page 65 Chain tensioner



Pin Extractor Page 85 Cut chain by hand

Renold Synergy®

High Performance Chain



Chain Ref.		Technical Details (mm)											Connecting Links			
Renold Chain No.	ANSI Ref.	Pitch (inch)	Pitch (mm)	Inside Width	Roller Diam.	Plate Height	Plate Width Inner	Plate Width Outer	Pin Diam.	Pin Length	Conn. Link Extension	Transverse Pitch	ISO606 Tensile Strength (NEWTONS)	Weight		
					MIN	MAX	MAX	MAX	MAX	MAX	MAX	NOM	MIN	kg/m		

ANSI Standard - Simplex

		A	A	B	C	D	E	F	G	H1	J	K				
GY35A1 ^o	35-1	0.375	9.525	4.68	5.08	8.60	1.29	1.29	3.59	12.0	1.7	-	7900	0.35	4	107 26 12 30
GY40A1	40-1	0.500	12.700	7.85	7.92	11.20	1.55	1.55	3.97	16.4	2.1	-	13900	0.60	4	107 11 26 12 30
GY50A1	50-1	0.625	15.875	9.40	10.16	14.60	2.04	2.04	5.08	20.4	2.7	-	21800	1.00	4	107 11 26 12 30
GY60A1	60-1	0.750	19.050	12.57	11.91	17.50	2.45	2.45	5.94	25.3	2.6	-	31300	1.47	4	107 11 26 12 30
GY80A1	80-1	1.000	25.400	15.75	15.88	24.13	3.25	3.25	7.94	32.7	3.0	-	55600	2.80	4	107 11 58 12
GY100A1	100-1	1.250	31.750	18.90	19.05	30.17	4.06	4.06	9.54	39.7	4.2	-	87000	4.20	4	107 11 58 12
GY120A1	120-1	1.500	38.100	25.23	22.23	36.20	4.80	4.80	11.11	49.3	5.3	-	125000	5.70	4	107 11 58 12
GY140A1	140-1	1.750	44.450	25.23	25.40	42.23	5.61	5.61	12.71	52.9	5.2	-	170000	7.80	4	107 11 58 12
GY160A1	160-1	2.000	50.800	31.55	28.58	48.26	6.35	6.35	14.29	63.1	6.5	-	223000	10.40	4	107 11 58 12

ANSI Standard - Duplex

		A	A	B	C	D	E	F	G	H1	J	K				
GY35A2 ^o	35-2	0.375	9.525	4.68	5.08	8.60	1.29	1.29	3.59	22.2	1.7	10.13	15800	0.62	4	107 26 12 30
GY40A2	40-2	0.500	12.700	7.85	7.92	11.20	1.55	1.55	3.97	30.8	2.1	14.38	27800	1.20	4	107 11 26 12 30
GY50A2	50-2	0.625	15.875	9.40	10.16	14.60	2.04	2.04	5.08	38.4	2.7	18.11	43600	1.98	4	107 11 26 12 30
GY60A2	60-2	0.750	19.050	12.57	11.91	17.50	2.45	2.45	5.94	48.1	2.6	22.78	62600	2.91	4	107 11 26 12 30
GY80A2	80-2	1.000	25.400	15.75	15.88	24.13	3.25	3.25	7.94	61.9	3.0	29.29	111200	5.50	4	107 11 58 12
GY100A2	100-2	1.250	31.750	18.90	19.05	30.17	4.06	4.06	9.54	75.4	4.2	35.76	174000	8.40	4	107 11 58 12
GY120A2	120-2	1.500	38.100	25.23	22.23	36.20	4.80	4.80	11.11	94.7	5.3	45.44	250000	11.00	4	107 11 58 12
GY140A2	140-2	1.750	44.450	25.23	25.40	42.23	5.61	5.61	12.71	101.8	5.2	48.87	340000	15.50	4	107 11 58 12
GY160A2	160-2	2.000	50.800	31.55	28.58	48.26	6.35	6.35	14.29	121.6	6.5	58.55	446000	20.60	4	107 11 58 12

^o Bush Chain

For the use of roller or bush chains in lifting applications, it is necessary to specify this in the order to ensure the specific CE mark will be given.

Also available in ANSI Standard triplex chain

For further information:

t: +44 (0) 161 498 4600

f: +44 (0) 161 498 4565

e: enquiry@renold.com

w: www.renold.com

Also available
from Renold

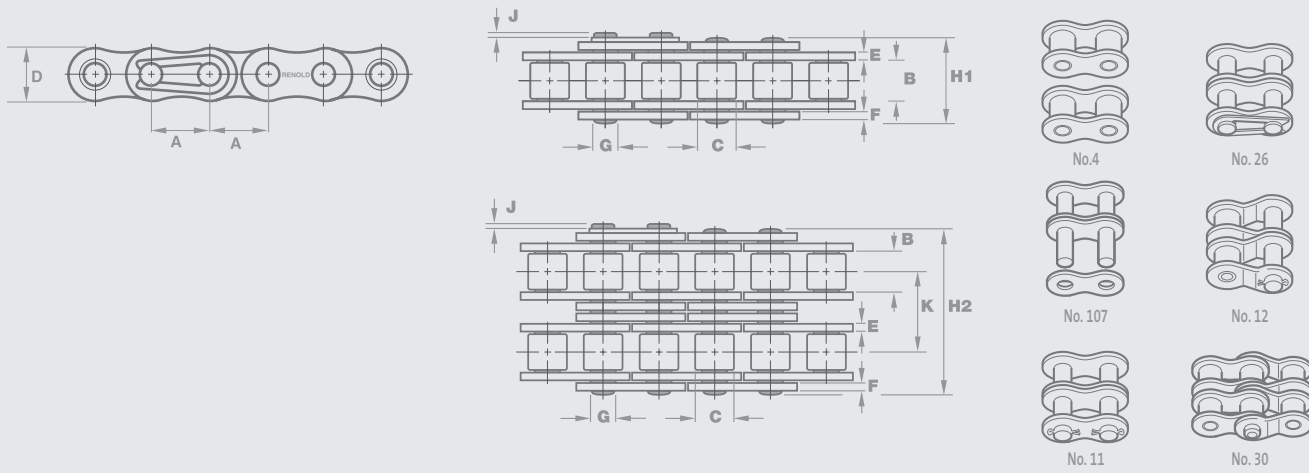


Roll-Ring Page 65
Chain tensioner



Pin Extractor Page 85
Cut chain by hand

Renold Syno[®] Maintenance Free Chain



Chain Ref.		Technical Details (mm)													Connecting Links	
Renold Chain No.	ISO Ref.	Pitch (inch)	Pitch (mm)	Inside Width	Roller Diam.	Plate Height	Plate Width Inner	Plate Width Outer	Pin Diam.	Pin Length	Conn. Link Extension	Transverse Pitch	ISO606 Tensile Strength (NEWTONS)	Weight kg/m		
					MIN	MAX	MAX	MAX	MAX	MAX	MAX	NOM	MIN			

European (BS) Standard - Simplex

		A	A	B	C	D	E	F	G	H1	J	K								
06B1SN*	06B-1	0.375	9.525	5.72	6.35	8.20	1.29	1.04	3.28	12.5	1.1	-	8900	0.40	4	107	26	30		
08B1SN	08B-1	0.500	12.700	7.75	8.51	11.70	1.81	1.55	4.45	17.0	2.0	-	17800	0.73	4	107	11	26	30	
10B1SN	10B-1	0.625	15.875	9.65	10.16	14.60	2.04	1.55	5.08	19.6	1.4	-	22200	1.01	4	107	11	26	30	
12B1SN	12B-1	0.750	19.050	11.68	12.07	16.00	2.42	1.81	5.72	23.6	2.5	-	28900	1.30	4	107	11	26	30	
16B1SN	16B-1	1.000	25.400	17.02	15.88	20.20	3.76	3.06	8.27	35.0	3.0	-	60000	2.72	4	107	11	26	12	30
20B1SN	20B-1	1.250	31.750	19.56	19.05	25.30	4.46	4.16	10.17	41.4	2.1	-	95000	3.75	4	107	11	26	12	30
24B1SN	24B-1	1.500	38.100	25.40	25.40	33.40	6.08	4.88	14.63	52.6	5.1	-	160000	7.35	4	107	11	12	30	

European (BS) Standard - Duplex

		A	A	B	C	D	E	F	G	H1	J	K								
06B2SN*	06B-2	0.375	9.525	5.72	6.35	8.20	1.29	1.04	3.28	23.0	1.1	10.24	16900	0.76	4	107	26	30		
08B2SN	08B-2	0.500	12.700	7.75	8.51	11.70	1.81	1.55	4.45	30.9	2.0	13.92	31100	1.40	4	107	11	26	30	
10B2SN	10B-2	0.625	15.875	9.65	10.16	14.60	2.04	1.55	5.08	36.2	1.4	16.59	44500	1.93	4	107	11	26	30	
12B2SN	12B-2	0.750	19.050	11.68	12.07	16.00	2.42	1.81	5.72	43.1	2.5	19.46	57800	2.47	4	107	11	26	30	
16B2SN	16B-2	1.000	25.400	17.02	15.88	20.20	3.76	3.06	8.27	66.8	3.0	31.88	106000	5.40	4	107	11	26	12	30
20B2SN	20B-2	1.250	31.750	19.56	19.05	25.30	4.46	4.16	10.17	77.8	2.1	36.45	170000	7.06	4	107	11	26	12	30
24B2SN	24B-2	1.500	38.100	25.40	25.40	33.40	6.08	4.88	14.63	101.0	5.0	48.36	280000	14.70	4	107	11	12	30	

* Straight side plates

Standard attachments for Syno Nickel Plated chain are not dimensionally identical to those for standard transmission chain. Transverse pitch and width across attachment is different.

For further information:

t: +44 (0) 161 498 4600
f: +44 (0) 161 498 4565
e: enquiry@renold.com
w: www.renold.com

Also available
from Renold

Chain Wear Guide
Page 85



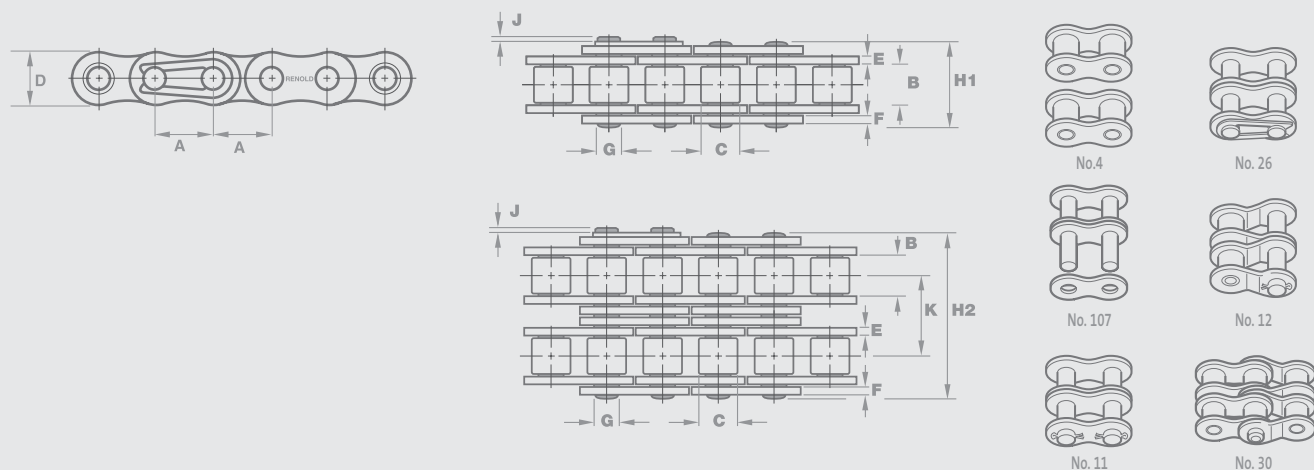
Measure chain extension easily



Roll-Ring Page 65
Chain tensioner

Renold Syno®

Maintenance Free Chain



Chain Ref.		Technical Details (mm)												Connecting Links	
Renold Chain No.	ANSI Ref.	Pitch (inch)	Pitch (mm)	Inside Width	Roller Diam.	Plate Height	Plate Width Inner	Plate Width Outer	Pin Diam.	Pin Length	Conn. Link Extension	Transverse Pitch	ISO606 Tensile Strength (NEWTONS)	Weight kg/m	
						MIN	MAX	MAX	MAX	MAX	MAX	MAX	NOM		

ANSI Standard - Simplex

		A	A	B	C	D	E	F	G	H1	J	K			
40A1SN	40-1	0.500	12.700	7.85	7.92	11.70	1.76	1.55	3.97	16.9	2.0	-	13900	0.67	4 107 11 26 30
50A1SN	50-1	0.625	15.875	9.40	10.16	14.60	2.42	2.04	5.08	21.1	2.5	-	21800	1.12	4 107 11 26 30
60A1SN	60-1	0.750	19.050	12.57	11.91	17.50	3.23	2.45	5.95	27.0	2.5	-	31300	1.73	4 107 11 26 30
80A1SN	80-1	1.000	25.400	15.75	15.88	23.00	4.06	3.06	7.92	33.7	3.1	-	55600	2.90	4 107 11 26 12 30
100A1SN	100-1	1.250	31.750	18.90	19.05	25.30	4.46	4.16	9.53	40.6	3.5	-	87000	3.61	4 107 11 12 30

ANSI Standard - Duplex

		A	A	B	C	D	E	F	G	H1	J	K			
40A2SN	40-2	0.500	12.700	7.85	7.92	11.70	1.76	1.55	3.97	31.3	2.0	14.38	27800	1.30	4 107 11 26 30
50A2SN	50-2	0.625	15.875	9.40	10.16	14.60	2.42	2.04	5.08	39.2	2.5	18.11	43600	2.11	4 107 11 26 30
60A2SN	60-2	0.750	19.050	12.57	11.91	17.50	3.23	2.45	5.95	49.8	2.5	22.78	62600	3.46	4 107 11 26 30
80A2SN	80-2	1.000	25.400	15.75	15.88	23.00	4.06	3.06	7.92	63.0	3.1	29.29	111200	5.60	4 107 11 26 12 30
100A2SN	100-2	1.250	31.750	18.90	19.05	25.30	4.46	4.16	9.53	76.4	3.5	35.76	174000	6.95	4 107 11 12 30

Standard attachments for Syno Nickel Plated chain are not dimensionally identical to those for standard transmission chain. Transverse pitch and width across attachment is different.

For further information:
 t: +44 (0) 161 498 4600
 f: +44 (0) 161 498 4565
 e: enquiry@renold.com
 w: www.renold.com

Also available from Renold

Chain Wear Guide
Page 85



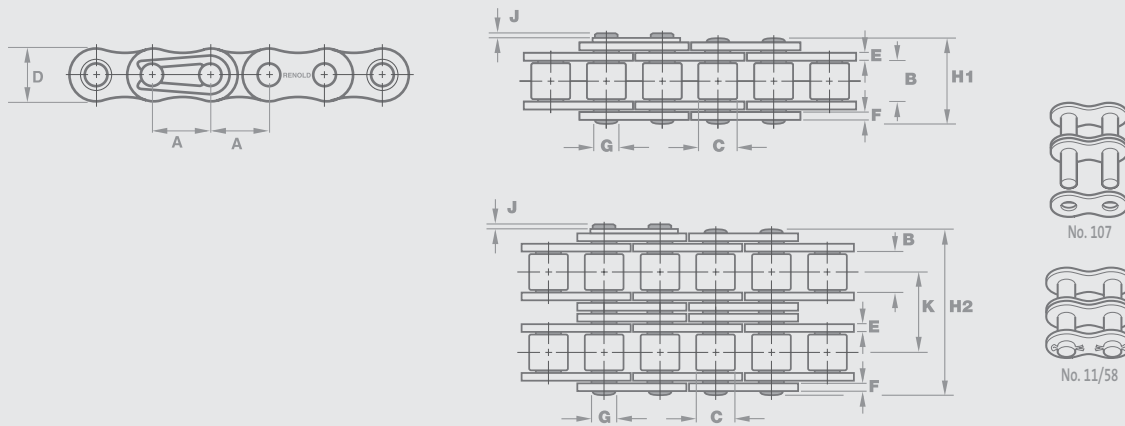
Measure chain extension easily



Roll-Ring Page 65
Chain tensioner

Renold Syno® Polymer Bush

Maintenance Free Chain



Chain Ref.		Technical Details (mm)													Connecting Links	
Renold Chain No.	ISO Ref.	Pitch (inch)	Pitch (mm)	Inside Width	Roller Diam.	Plate Height	Plate Width Inner	Plate Width Outer	Pin Diam.	Pin Length	Conn. Link Extension	Transverse Pitch	ISO606 Tensile Strength (NEWTONS)	Weight		
					MIN	MAX	MAX	MAX	MAX	MAX	MAX	NOM	MIN	kg/m		

European (BS) Standard - Simplex

		A	A	B	C	D	E	F	G	H1	J	K				
28B1SP	28B-1	1.75	44.45	30.99	27.94	37.08	7.62	6.35	12.71	64.2	6.8	-	200000	8.1	107	11
32B1SP	32B-1	2.00	50.80	30.99	29.21	42.29	7.11	6.35	14.29	63.4	8.0	-	250000	10.1	107	11
40B1SP	40B-1	2.50	63.50	39.30	39.37	52.96	8.13	8.13	19.85	78.2	9.5	-	355000	14.3	107	11

European (BS) Standard - Duplex

		A	A	B	C	D	E	F	G	H1	J	K				
28B2SP	28B-2	1.75	44.45	30.99	27.94	37.08	7.62	6.35	12.71	123.7	6.8	59.56	360000	15.9	107	11
32B2SP	32B-2	2.00	50.80	30.99	29.21	42.29	7.11	6.35	14.29	122.0	8.0	58.55	450000	17.1	107	11
40B2SP	40B-2	2.50	63.50	39.30	39.37	52.96	8.13	8.13	19.85	150.5	9.5	72.29	694000	27.1	107	11

Chain Ref.		Technical Details (mm)													Connecting Links	
Renold Chain No.	ANSI Ref.	Pitch (inch)	Pitch (mm)	Inside Width	Roller Diam.	Plate Height	Plate Width Inner	Plate Width Outer	Pin Diam.	Pin Length	Conn. Link Extension	Transverse Pitch	ISO606 Tensile Strength (NEWTONS)	Weight		
					MIN	MAX	MAX	MAX	MAX	MAX	MAX	NOM	MIN	kg/m		

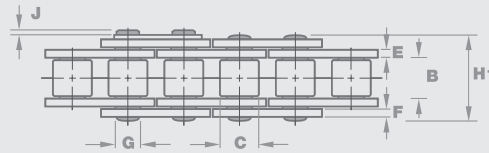
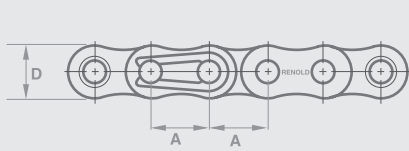
ANSI Standard - Simplex

		A	A	B	C	D	E	F	G	H1	J	K				
120A1SP	120-1	1.50	38.10	25.50	22.23	36.20	4.80	4.80	11.11	49.3	5.3	-	125000	5.2	107	11 58
140A1SP	140-1	1.75	44.45	25.73	25.40	42.23	5.61	5.61	12.71	52.9	5.2	-	170000	6.8	107	11
160A1SP	160-1	2.00	50.80	31.55	28.58	48.26	6.35	6.35	14.29	63.1	6.5	-	223000	8.9	107	11 58
200A1SP	200-1	2.50	63.50	38.00	39.67	60.33	8.13	8.13	19.85	76.9	9.0	-	347000	14.6	107	11 58

ANSI Standard - Duplex

		A	A	B	C	D	E	F	G	H1	J	K				
120A2SP	120-2	1.50	38.10	25.23	22.23	36.20	4.80	4.80	11.11	94.7	5.3	45.44	250000	10.3	107	11 58
140A2SP	140-2	1.75	44.45	25.23	25.40	42.23	5.61	5.61	12.71	101.8	5.2	48.87	340000	13.9	107	11 58
160A2SP	160-2	2.00	50.80	31.55	28.58	48.26	6.35	6.35	14.29	121.6	6.5	58.55	446000	17.6	107	11 58
200A2SP	200-2	2.50	63.50	37.85	39.67	60.33	8.13	8.13	19.85	148.5	9.0	71.55	694000	28.9	107	11 58

Renold Syno® PC Maintenance Free Chain



No. 4



No. 26



No. 107



No. 12



No. 11/58



No. 30

Chain Ref.		Technical Details (mm)													Connecting Links	
Renold Chain No.	ISO Ref.	Pitch (inch)	Pitch (mm)	Inside Width	Roller Diam.	Plate Height	Plate Width Inner	Plate Width Outer	Pin Diam.	Pin Length	Conn. Link Extension	Transverse Pitch	ISO606 Tensile Strength (NEWTONS)	Weight		
					MIN	MAX	MAX	MAX	MAX	MAX	MAX	NOM	MIN	kg/m		

European (BS) Standard - Simplex

		A	A	B	C	D	E	F	G	H1	J	K				
1215359	06B-1	0.375	9.525	5.72	6.35	8.20	1.30	1.04	3.28	12.5	-	-	800	0.22	4	107 26 12
1215360	08B-1	0.500	12.700	7.75	8.51	11.50	1.80	1.55	4.45	16.5	-	-	1600	0.38	4	107 11 26

ANSI sizes available onrequest

For further information:

t: +44 (0) 161 498 4600
f: +44 (0) 161 498 4565
e: enquiry@renold.com
w: www.renold.com

Also available
from Renold

Chain Wear Guide
Page 85

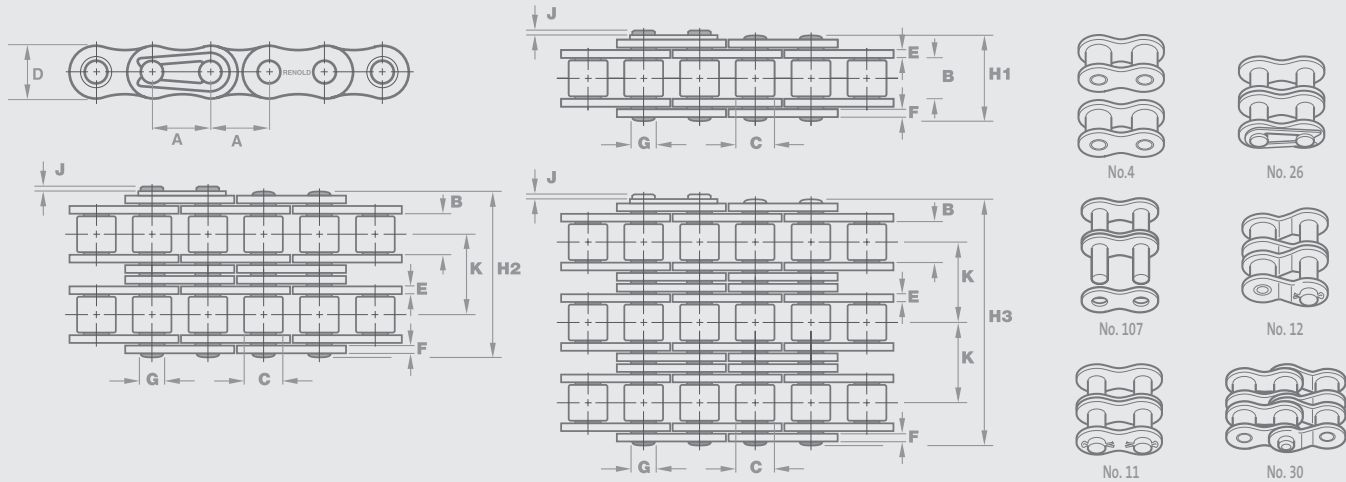


Measure chain
extension easily



Roll-Ring Page 65
Chain tensioner

Renold Hydro-Service Corrosion Resistant Chain



Chain Ref.		Technical Details (mm)													Connecting Links	
Renold Chain No.	ISO Ref.	Pitch (inch)	Pitch (mm)	Inside Width	Roller Diam.	Plate Height	Plate Width Inner	Plate Width Outer	Pin Diam.	Pin Length	Conn. Link Extension	Transverse Pitch	ISO606 Tensile Strength (NEWTONS)	Weight kg/m		
					MIN	MAX	MAX	MAX	MAX	MAX	MAX	NOM	MIN			

European (BS) Standard - Simplex

		A	A	B	C	D	E	F	G	H1	J	K				
06B1HS	06B-1	0.375	9.525	5.72	6.35	8.26	1.30	1.04	3.28	13.5	3.3	-	8900	0.39	4	107 26 30
08B1HS	08B-1	0.500	12.700	7.75	8.51	11.81	1.55	1.55	4.45	17.0	3.9	-	17800	0.70	4	107 26 30
10B1HS	10B-1	0.625	15.880	9.65	10.16	14.73	1.55	1.55	5.08	18.8	1.3	-	22200	0.92	4	107 26 30
12B1HS	12B-1	0.750	19.050	11.68	12.07	16.13	1.80	1.80	5.72	21.9	1.1	-	28900	1.20	4	107 26 30
16B1HS	16B-1	1.000	25.400	17.02	15.88	21.08	3.76	3.10	8.28	36.1	5.4	-	60000	2.80	4	107 26 12
20B1HS	20B-1	1.250	31.750	19.56	19.05	26.42	4.62	3.61	10.19	43.2	6.1	-	95000	3.85	4	107 26 12
24B1HS	24B-1	1.500	38.100	25.40	25.40	33.40	6.10	5.08	14.63	53.4	6.6	-	160000	7.45	4	107 11 12

European (BS) Standard - Duplex

		A	A	B	C	D	E	F	G	H1	J	K				
06B2HS	06B-2	0.375	9.525	5.72	6.35	8.26	1.30	1.04	3.28	23.0	1.3	10.24	16900	0.74	4	107 26 30
08B2HS	08B-2	0.500	12.700	7.75	8.51	11.81	1.55	1.55	4.45	30.4	1.5	13.92	31100	1.38	4	107 26 30
10B2HS	10B-2	0.625	15.875	9.65	10.16	14.73	1.55	1.55	5.08	35.4	1.3	16.59	44500	1.80	4	107 26 30
12B2HS	12B-2	0.750	19.050	11.68	12.07	16.13	1.80	1.80	5.72	41.4	1.1	19.46	57800	2.40	4	107 26 30
16B2HS	16B-2	1.000	25.400	17.02	15.88	21.08	3.76	3.10	8.28	68.0	5.4	31.88	106000	5.50	4	107 26 12
20B2HS	20B-2	1.250	31.750	19.56	19.05	26.42	4.62	3.61	10.19	76.7	2.7	36.45	170000	7.80	4	107 26 12
24B2HS	24B-2	1.500	38.100	25.40	25.40	33.40	6.10	5.08	14.63	101.3	6.8	48.36	280000	14.80	4	107 11 12

For further information:

t: +44 (0) 161 498 4600
 f: +44 (0) 161 498 4565
 e: enquiry@renold.com
 w: www.renold.com

Also available
from Renold

Chain Wear Guide
Page 85

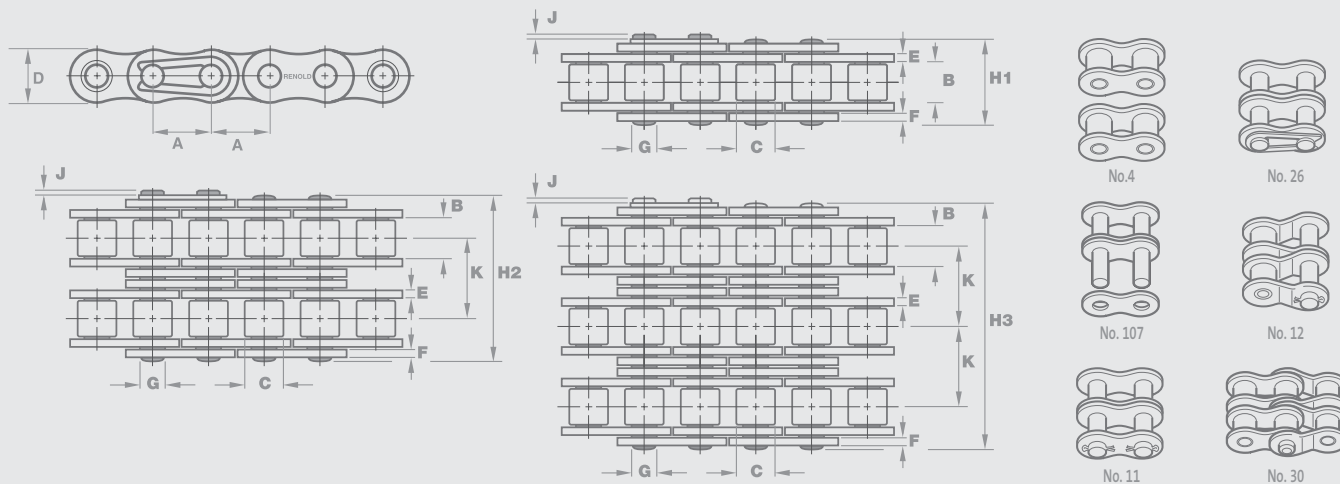


Measure chain extension easily



Roll-Ring Page 65
Chain tensioner

Renold Hydro-Service Corrosion Resistant Chain



Chain Ref.		Technical Details (mm)												Connecting Links		
Renold Chain No.	ANSI Ref.	Pitch (inch)	Pitch (mm)	Inside Width	Roller Diam.	Plate Height	Plate Width Inner	Plate Width Outer	Pin Diam.	Pin Length	Conn. Link Extension	Transverse Pitch	ISO606 Tensile Strength (NEWTONS)	Weight kg/m		
					MIN	MAX	MAX	MAX	MAX	MAX	MAX	NOM	MIN			

ANSI Standard - Simplex

		A	A	B	C	D	E	F	G	H1	J	K				
25A1HS	25-1	0.250	6.350	3.10	3.30	6.02	0.76	0.76	2.30	8.6	0.8	-	3500	0.13	4	107 30
35A1HS	35-1	0.375	9.525	4.68	5.08	9.05	1.30	1.30	3.59	12.0	1.1	-	7900	0.33	4	107 26 30
40A1HS	40-1	0.500	12.700	7.85	7.92	12.07	1.55	1.55	3.98	16.4	1.4	-	13900	0.60	4	107 11 26 30
50A1HS	50-1	0.625	15.875	9.40	10.16	15.09	2.03	2.03	5.09	20.4	1.1	-	21800	1.00	4	107 11 26 30
60A1HS	60-1	0.750	19.050	12.57	11.91	18.10	2.39	2.39	5.96	25.3	1.1	-	31300	1.47	4	107 11 26 30
80A1HS	80-1	1.000	25.400	15.75	15.88	24.13	3.25	3.25	7.94	32.7	3.0	-	55600	2.80	4	107 11 26 12
100A1HS	100-1	1.250	31.750	18.90	19.05	30.17	4.06	4.06	9.54	39.7	4.2	-	87000	4.20	4	107 11 26 12
120A1HS	120-1	1.500	38.100	25.23	22.23	36.20	4.80	4.80	11.11	49.3	5.3	-	125000	5.70	4	107 11 26 12

ANSI Standard - Duplex

		A	A	B	C	D	E	F	G	H1	J	K				
25A2HS	25-2	0.250	6.350	3.10	3.30	6.02	0.76	0.76	2.30	15.5	0.8	6.40	7000	0.26	4	107 30
35A2HS	35-2	0.375	9.525	4.68	5.08	9.05	1.30	1.30	3.59	22.2	1.1	10.13	15800	0.65	4	107 26 30
40A2HS	40-2	0.500	12.700	7.85	7.92	12.07	1.55	1.55	3.98	30.8	1.4	14.38	27800	1.20	4	107 11 26 30
50A2HS	50-2	0.625	15.875	9.40	10.16	15.09	2.03	2.03	5.09	38.4	1.1	18.11	43600	2.10	4	107 11 26 30
60A2HS	60-2	0.750	19.050	12.57	11.91	18.10	2.39	2.39	5.96	48.1	1.1	22.78	62600	3.05	4	107 11 26 30
80A2HS	80-2	1.000	25.400	15.75	15.88	24.13	3.25	3.25	7.94	61.9	3.0	29.29	111200	5.50	4	107 11 26 12
100A2HS	100-2	1.250	31.750	18.90	19.05	30.17	4.06	4.06	9.54	75.4	4.2	35.76	174000	8.40	4	107 11 26 12
120A2HS	120-2	1.500	38.100	25.23	22.23	36.20	4.80	4.80	11.11	94.7	5.3	45.44	250000	11.00	4	107 11 26 12

For further information:

t: +44 (0) 161 498 4600
f: +44 (0) 161 498 4565
e: enquiry@renold.com
w: www.renold.com

Also available
from Renold

Chain Wear Guide
Page 85



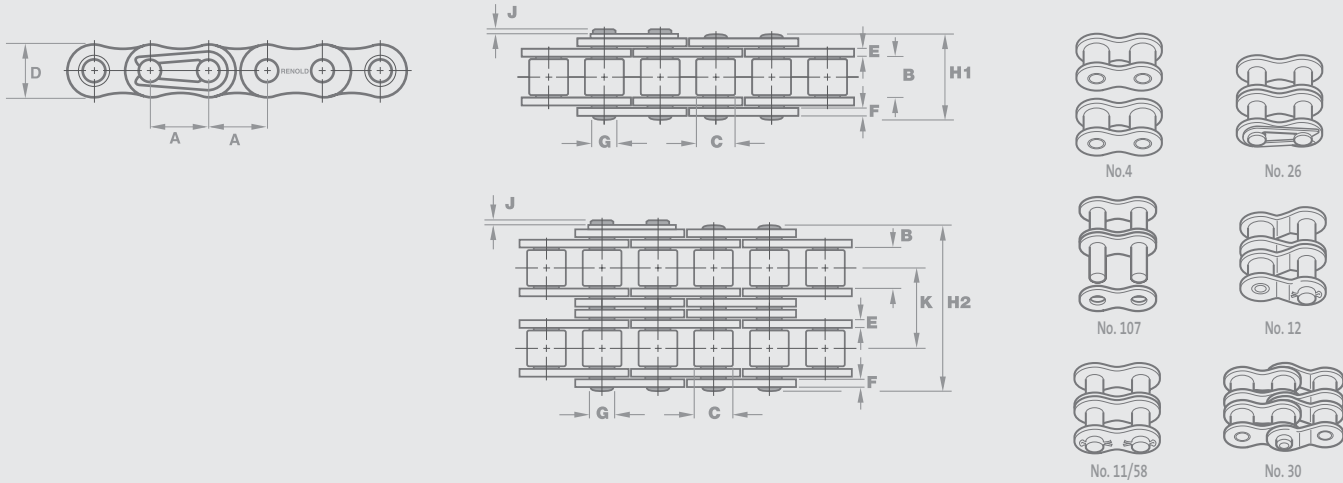
Measure chain
extension easily



Roll-Ring Page 65
Chain tensioner

Renold Stainless Steel Chain

Corrosion Resistant Chain



Chain Ref.		Technical Details (mm)													Connecting Links	
Renold Chain No.	ISO/ANSI Ref.	Pitch (inch)	Pitch (mm)	Inside Width	Roller Diam.	Plate Height	Plate Width Inner	Plate Width Outer	Pin Diam.	Pin Length	Conn. Link Extension	Transverse Pitch	ISO606 Tensile Strength (NEWTONS)	Weight kg/m		
					MIN	MAX	MAX	MAX	MAX	MAX	MAX	NOM	MIN			

European (BS) Standard - Simplex

		A	A	B	C	D	E	F	G	H1	J	K				
05B1SS	05B-1	0.315	8.000	3.00	5.00	7.11	0.76	0.76	2.31	8.6	1.5	-	3200	0.18	4	107 26
06B1SS	06B-1	0.375	9.525	5.72	6.35	8.20	1.29	1.04	3.28	12.5	1.3	-	6850	0.39	4	107 26 12
08B1SS	08B-1	0.500	12.700	7.75	8.51	11.70	1.55	1.55	4.45	16.5	2.0	-	12000	0.70	4	107 11 26
10B1SS	10B-1	0.625	15.875	9.65	10.16	14.60	1.55	1.55	5.08	18.8	2.5	-	14700	0.96	4	107 11 26
12B1SS	12B-1	0.750	19.050	11.68	12.07	16.00	1.81	1.81	5.72	21.9	2.6	-	18640	1.22	4	107 11 26
16B1SS	16B-1	1.000	25.400	17.02	15.88	20.20	3.70	3.00	8.28	34.9	2.2	-	43160	2.70	4	107 11 26

European (BS) Standard - Duplex

		A	A	B	C	D	E	F	G	H1	J	K				
06B2SS	06B-2	0.375	9.525	5.72	6.35	8.20	1.29	1.04	3.28	23.0	1.3	10.24	12150	0.78	4	107 26 12
08B2SS	08B-2	0.500	12.700	7.75	8.51	11.70	1.55	1.55	4.45	30.4	2.0	13.92	23540	1.38	4	107 11 26
10B2SS	10B-2	0.625	15.875	9.65	10.16	14.60	1.55	1.55	5.08	35.4	2.5	16.59	29400	1.69	4	107 11 26
12B2SS	12B-2	0.750	19.050	11.68	12.07	16.00	1.81	1.81	5.72	41.4	2.6	19.46	37280	2.42	4	107 11 26
16B2SS	16B-2	1.000	25.400	17.02	15.88	21.08	3.70	3.00	8.28	66.8	2.2	31.88	86320	5.40	4	107 11 26

ANSI Standard - Simplex

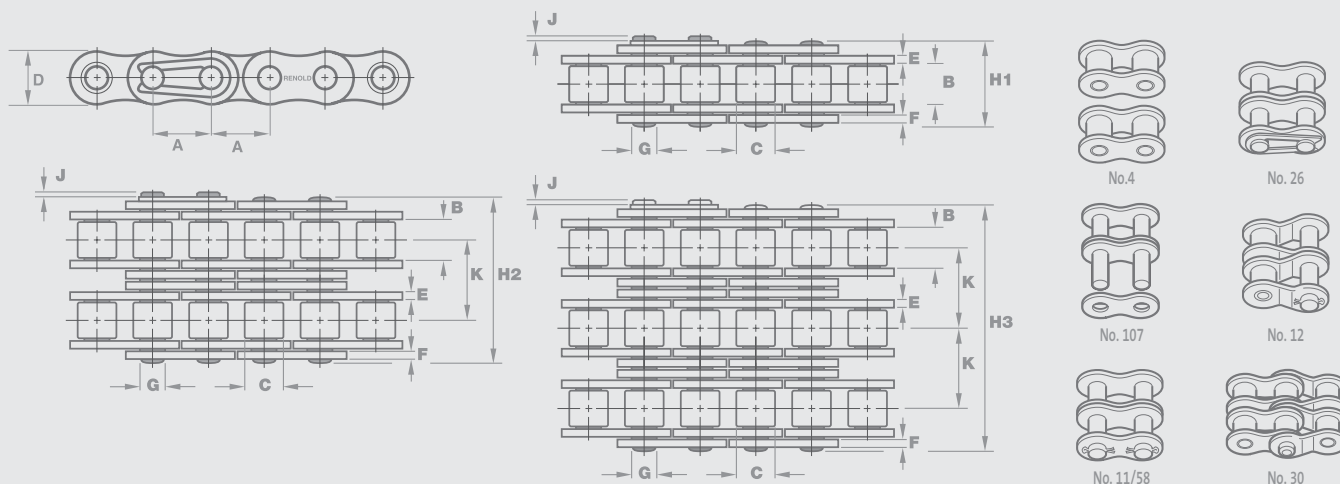
		A	A	B	C	D	E	F	G	H1	J	K				
25A1SS	25-1	0.250	6.350	3.10	3.30	5.90	0.76	0.76	2.30	7.9	1.2	-	2500	0.12	4	107 26 30
35A1SS	35-1	0.375	9.525	4.68	5.08	8.60	1.29	1.29	3.59	12.0	1.7	-	7600	0.35	4	107 26 12 30
40A1SS	40-1	0.500	12.700	7.85	7.92	11.20	1.55	1.55	3.97	16.4	2.1	-	10690	0.60	4	107 11 26 12 30
50A1SS	50-1	0.625	15.875	9.40	10.16	14.60	2.04	2.04	5.08	20.4	2.7	-	16810	1.00	4	107 26 12 26 12
60A1SS	60-1	0.750	19.050	12.57	11.91	17.50	2.45	2.45	5.94	25.3	2.6	-	30000	1.47	4	107 11 26 12 30
80A1SS	80-1	1.000	25.400	15.75	15.88	23.00	3.00	3.00	7.94	32.7	3.0	-	51000	2.60	4	107 11 26

ANSI Standard - Duplex

		A	A	B	C	D	E	F	G	H1	J	K				
35A2SS	35-2	0.375	9.525	4.68	5.08	8.60	1.29	1.29	3.59	22.2	1.7	10.13	15200	0.62	4	107 11 26
40A2SS	40-2	0.500	12.700	7.85	7.92	11.20	1.55	1.55	3.97	30.8	2.1	14.38	21380	1.20	4	107 11 26
50A2SS	50-2	0.625	15.875	9.40	10.16	14.60	2.04	2.04	5.08	38.4	2.7	18.11	33620	1.98	4	107 11 26
60A2SS	60-2	0.750	19.050	12.57	11.91	17.50	2.45	2.45	5.94	48.1	2.6	22.78	60000	2.91	4	107 11 26
80A2SS	80-2	1.000	25.400	15.75	15.88	24.13	3.00	3.00	7.93	62.7	5.4	29.29	101000	5.01	4	107 11

Nickel Plated Chain

Corrosion Resistant Chain



Chain Ref.		Technical Details (mm)												Connecting Links		
Renold Chain No.	ANSI Ref.	Pitch (inch)	Pitch (mm)	Inside Width	Roller Diam.	Plate Height	Plate Width Inner	Plate Width Outer	Pin Diam.	Pin Length	Conn. Link Extension	Transverse Pitch	ISO606 Tensile Strength (NEWTONS)	Weight		
					MIN	MAX	MAX	MAX	MAX	MAX	MAX	NOM	MIN	kg/m		

European (BS) Standard - Simplex

		A	A	B	C	D	E	F	G	H1	J	K				
06B1VN	06B-1	0.375	9.525	5.72	6.35	8.20	1.29	1.04	3.28	12.5	1.3	-	7565	0.39	4	107 26 30
08B1VN	08B-1	0.500	12.700	7.75	8.51	11.70	1.55	1.55	4.45	16.5	2.0	-	15130	0.70	4	107 26 30
10B1VN	10B-1	0.625	15.875	9.65	10.16	14.60	1.55	1.55	5.08	18.8	2.5	-	18870	0.96	4	107 26 30
12B1VN	12B-1	0.750	19.050	11.68	12.07	16.00	1.81	1.81	5.72	21.9	2.6	-	24565	1.22	4	107 26 30
16B1VN	16B-1	1.000	25.400	17.02	15.88	21.08	4.12	3.10	8.28	34.9	2.2	-	51000	2.80	4	107 26 12
20B1VN	20B-1	1.250	31.750	19.56	19.05	26.42	4.62	3.61	10.19	39.8	2.7	-	95000	3.85	4	107 26 12
24B1VN	24B-1	1.500	38.100	25.40	25.40	33.40	6.10	5.08	14.63	52.6	6.8	-	136000	7.45	4	107 11 12
28B1VN	28B-1	1.750	44.450	30.99	27.94	37.08	7.62	6.35	15.90	64.2	6.8	-	170000	9.35	4	107 11 12
32B1VN	32B-1	2.000	50.800	30.99	29.21	42.29	7.11	6.35	17.81	63.4	8.0	-	212500	10.10	4	107 11 12

ANSI Standard - Simplex

		A	A	B	C	D	E	F	G	H1	J	K				
40A1VN	40-1	0.500	12.700	7.85	7.92	11.20	1.55	1.55	3.97	16.4	2.1	-	11815	0.60	4	107 11 26 12 30
50A1VN	50-1	0.625	15.875	9.40	10.16	14.60	2.04	2.04	5.08	20.4	2.7	-	18530	1.00	4	107 11 26 12 30
60A1VN	60-1	0.750	19.050	12.57	11.91	17.50	2.45	2.45	5.94	25.3	2.6	-	26605	1.47	4	107 11 26 12 30
80A1VN	80-1	1.000	25.400	15.75	15.88	24.13	3.25	3.25	7.94	32.7	3.0	-	47260	2.80	4	107 11 58 12
100A1VN	100-1	1.250	31.750	18.90	19.05	30.17	4.06	4.06	9.54	39.7	4.2	-	73950	4.20	4	107 11 58 12

For further information:
 t: +44 (0) 161 498 4600
 f: +44 (0) 161 498 4565
 e: enquiry@renold.com
 w: www.renold.com

Also available from Renold



Sprockets Page 68
For roller chain use



Roll-Ring Page 65
Chain tensioner

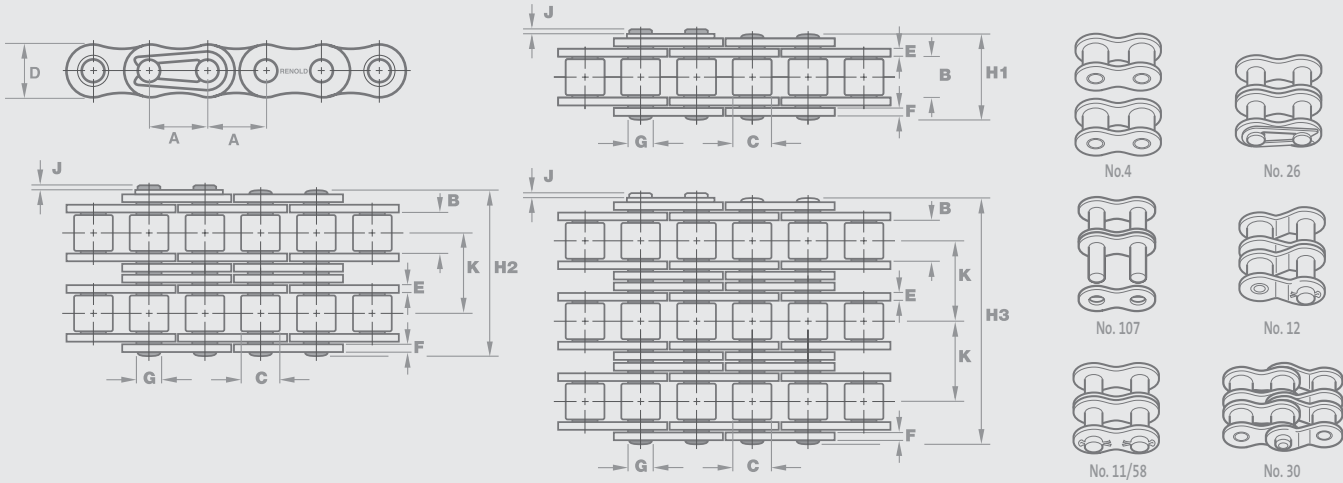


Chain Wear Guide
Page 85

Measure chain extension easily

Zinc Plated Chain

Corrosion Resistant Chain



Chain Ref.		Technical Details (mm)												Connecting Links		
Renold Chain No.	ISO Ref.	Pitch (inch)	Pitch (mm)	Inside Width	Roller Diam.	Plate Height	Plate Width Inner	Plate Width Outer	Pin Diam.	Pin Length	Conn. Link Extension	Transverse Pitch	ISO606 Tensile Strength (NEWTONS)	Weight kg/m		
					MIN	MAX	MAX	MAX	MAX	MAX	MAX	NOM	MIN			

European (BS) Standard - Simplex

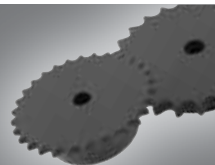
		A	A	B	C	D	E	F	G	H1	J	K				
06B1SZ	06B-1	0.375	9.525	5.72	6.35	8.20	1.29	1.04	3.28	12.5	1.3	-	7565	0.39	4	107 26 30
08B1SZ	08B-1	0.500	12.700	7.75	8.51	11.70	1.55	1.55	4.45	16.5	2.0	-	15130	0.70	4	107 26 30
10B1SZ	10B-1	0.625	15.875	9.65	10.16	14.60	1.55	1.55	5.08	18.8	2.5	-	18870	0.96	4	107 26 30
12B1SZ	12B-1	0.750	19.050	11.68	12.07	16.00	1.81	1.81	5.72	21.9	2.6	-	24565	1.22	4	107 26 30
16B1SZ	16B-1	1.000	25.400	17.02	15.88	21.08	4.12	3.10	8.28	34.9	2.2	-	51000	2.80	4	107 26 12

ANSI sizes available on request

For further information:

t: +44 (0) 161 498 4600
 f: +44 (0) 161 498 4565
 e: enquiry@renold.com
 w: www.renold.com

Also available from Renold



Sprockets Page 68
For roller chain use

Chain Wear Guide Page 85

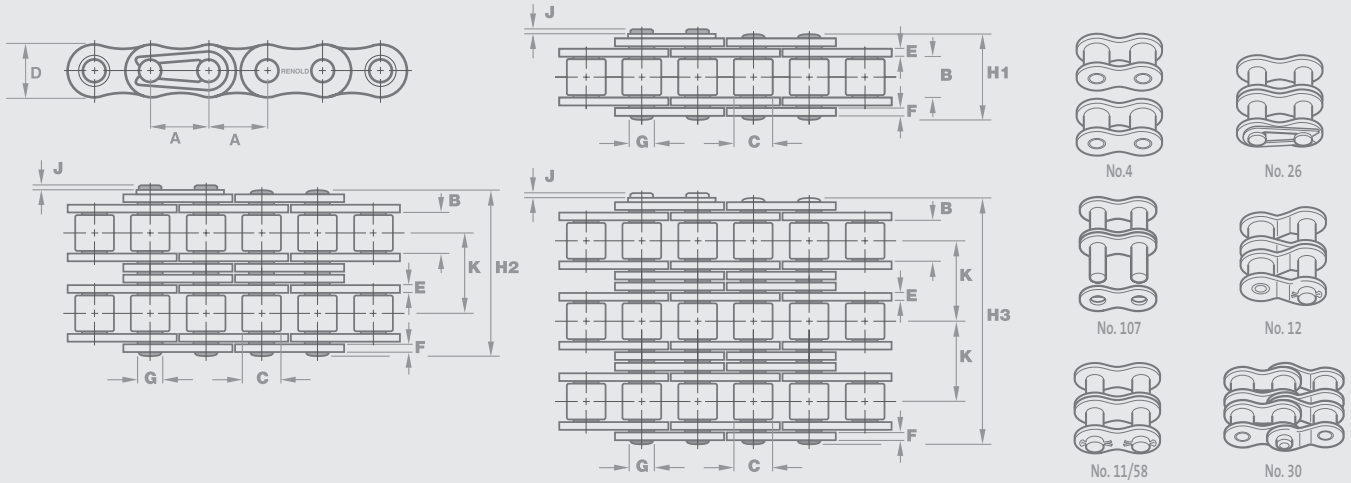


Measure chain extension easily



Roll-Ring Page 65
Chain tensioner

Renold Sovereign Abrasion Resistant Chain



Chain Ref.		Technical Details (mm)												Connecting Links	
Renold Chain No.	ISO Ref.	Pitch (inch)	Pitch (mm)	Inside Width	Roller Diam.	Plate Height	Plate Width Inner	Plate Width Outer	Pin Diam.	Pin Length	Conn. Link Extension	Transverse Pitch	ISO606 Tensile Strength (NEWTONS)	Weight	
					MIN	MAX	MAX	MAX	MAX	MAX	MAX	NOM	MIN	kg/m	

European (BS) Standard - Simplex

		A	A	B	C	D	E	F	G	H1	J	K			
08B1SO	08B-1	0.500	12.700	7.75	8.51	11.70	1.55	1.55	4.45	16.5	2.0	-	17800	0.70	4 107 26 30
10B1SO	10B-1	0.625	15.875	9.65	10.16	14.60	1.55	1.55	5.08	18.8	2.5	-	22200	0.96	4 107 26 30
12B1SO	12B-1	0.750	19.050	11.68	12.07	16.00	1.81	1.81	5.72	21.9	2.6	-	28900	1.22	4 107 26 30
16B1SO	16B-1	1.000	25.400	17.02	15.88	21.08	3.76	3.10	8.28	34.9	2.2	-	60000	2.80	4 107 26 12

European (BS) Standard - Duplex

		A	A	B	C	D	E	F	G	H1	J	K			
08B2SO	08B-2	0.500	12.700	7.75	8.51	11.70	1.55	1.55	4.45	30.4	2.0	13.92	31100	1.38	4 107 26 30
10B2SO	10B-2	0.625	15.875	9.65	10.16	14.60	1.55	1.55	5.08	35.4	2.5	16.59	44500	1.69	4 107 26 30
12B2SO	12B-2	0.750	19.050	11.68	12.07	16.00	1.81	1.81	5.72	41.4	2.6	19.46	57800	2.42	4 107 26 30
16B2SO	16B-2	1.000	25.400	17.02	15.88	21.08	3.76	3.10	8.28	66.8	2.2	31.88	106000	5.50	4 107 26 12

Chain Ref.		Technical Details (mm)												Connecting Links	
Renold Chain No.	ANSI Ref.	Pitch (inch)	Pitch (mm)	Inside Width	Roller Diam.	Plate Height	Plate Width Inner	Plate Width Outer	Pin Diam.	Pin Length	Conn. Link Extension	Transverse Pitch	ISO606 Tensile Strength (NEWTONS)	Weight	
					MIN	MAX	MAX	MAX	MAX	MAX	MAX	NOM	MIN	kg/m	

ANSI Standard - Simplex

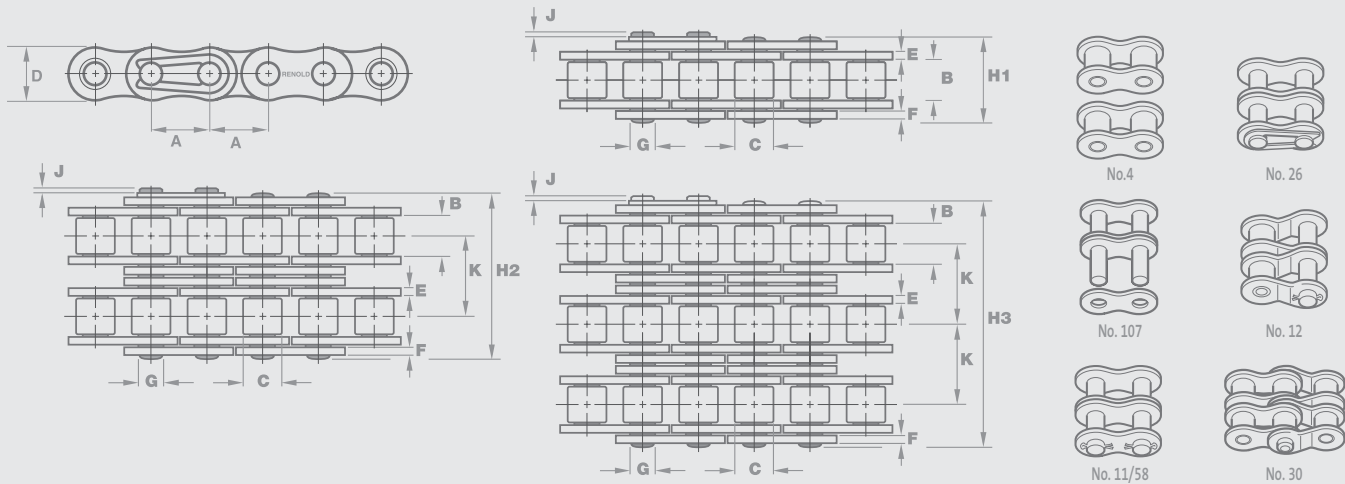
		A	A	B	C	D	E	F	G	H1	J	K			
40A1SO	40-1	0.500	12.700	7.85	7.92	11.20	1.55	1.55	3.97	16.4	2.1	-	13900	0.60	4 107 11 26 12 30
50A1SO	50-1	0.625	15.875	9.40	10.16	14.60	2.04	2.04	5.08	20.4	2.7	-	21800	1.00	4 107 11 26 12 30
60A1SO	60-1	0.750	19.050	12.57	11.91	17.50	2.45	2.45	5.94	25.3	2.6	-	31300	1.47	4 107 11 26 12 30
80A1SO	80-1	1.000	25.400	15.75	15.88	24.13	3.25	3.25	7.94	32.7	3.0	-	55600	2.80	4 107 11 58 12

ANSI Standard - Duplex

		A	A	B	C	D	E	F	G	H1	J	K			
40A2SO	40-2	0.500	12.700	7.85	7.92	11.20	1.55	1.55	3.97	30.8	2.1	14.38	27800	1.20	4 107 11 26 12 30
50A2SO	50-2	0.625	15.875	9.40	10.16	14.60	2.04	2.04	5.08	38.4	2.7	18.11	43600	1.98	4 107 11 26 12 30
60A2SO	60-2	0.750	19.050	12.57	11.91	17.50	2.45	2.45	5.94	48.1	2.6	22.78	62600	2.91	4 107 11 26 12 30
80A2SO	80-2	1.000	25.400	15.75	15.88	24.13	3.25	3.25	7.94	61.9	3.0	29.29	111200	5.50	4 107 11 58 12

Renold Roller Chain

Premier standard chain



Chain Ref.		Technical Details (mm)											Connecting Links			
Renold Chain No.	ISO Ref.	Pitch (inch)	Pitch (mm)	Inside Width	Roller Diam.	Plate Height	Plate Width Inner	Plate Width Outer	Pin Diam.	Pin Length	Conn. Link Extension	Transverse Pitch	ISO606 Tensile Strength (NEWTONS)	Weight kg/m		
					MIN	MAX	MAX	MAX	MAX	MAX	MAX	NOM	MIN			

European (BS) Standard - Simplex

		A	A	B	C	D	E	F	G	H1	J	K				
1141	-	0.157	4.000	2.70	2.50	4.10	0.57	0.57	1.65	6.8	1.2	-	1800	0.07	4	107 11
1151	03	0.197	5.000	2.50	3.20	4.10	0.60	0.60	1.49	7.4	1.3	-	2200	0.08	4	107 26 30
1161	04	0.236	6.000	2.80	4.00	5.00	0.60	0.60	1.85	7.4	1.0	-	3000	0.12	4	107 26 30
05B1	05B-1	0.315	8.000	3.00	5.00	7.11	0.76	0.76	2.31	8.6	1.5	-	4400	0.18	4	107 26 30
06B1*	06B-1	0.375	9.525	5.72	6.35	8.20	1.29	1.04	3.28	12.5	1.3	-	8900	0.39	4	107 26 30
08B1	08B-1	0.500	12.700	7.75	8.51	11.70	1.55	1.55	4.45	16.5	2.0	-	17800	0.70	4	107 26 30
111043	-	0.500	12.700	4.88	7.75	9.60	1.13	0.98	4.09	11.4	2.0	-	8900	0.35	4	107 26 30
111041	-	0.500	12.700	3.30	7.75	9.60	1.13	0.98	4.09	9.8	2.0	-	8900	0.30	4	107 26 30
08B1NA	-	0.500	12.700	5.21	8.51	11.70	1.55	1.55	4.45	14.5	2.0	-	17800	0.70	4	107 26 30
10B1	10B-1	0.625	15.875	9.65	10.16	14.60	1.55	1.55	5.08	18.8	2.5	-	22200	0.96	4	107 26 30
10B1NA	-	0.625	15.875	6.48	10.16	14.60	1.55	1.55	5.08	16.0	2.5	-	22200	0.81	4	107 26 30
12B1	12B-1	0.750	19.050	11.68	12.07	16.00	1.81	1.81	5.72	21.9	2.6	-	28900	1.22	4	107 26 30
16B1	16B-1	1.000	25.400	17.02	15.88	21.08	4.12	3.10	8.28	34.9	2.2	-	60000	2.80	4	107 26 12
20B1	20B-1	1.250	31.750	19.56	19.05	26.42	4.62	3.61	10.19	39.8	2.7	-	95000	3.85	4	107 26 12
24B1	24B-1	1.500	38.100	25.40	25.40	33.40	6.10	5.08	14.63	52.6	6.8	-	160000	7.45	4	107 11 12
28B1	28B-1	1.750	44.450	30.99	27.94	37.08	7.62	6.35	15.90	64.2	6.8	-	200000	9.35	4	107 11 12
32B1	32B-1	2.000	50.800	30.99	29.21	42.29	7.11	6.35	17.81	63.4	8.0	-	250000	10.10	4	107 11 12
40B1	40B-1	2.500	63.500	39.30	39.37	52.96	8.13	8.13	22.89	78.2	9.5	-	355000	16.50	4	107 11 12
180709	-	3.000	76.200	45.72	48.26	66.04	12.19	10.16	29.24	99.1	10.5	-	560000	25.80	4	107 11 69 87
180781	-	3.500	88.900	53.34	53.98	80.52	13.72	12.70	34.30	114.6	11.7	-	778435	35.20	4	107 11 211
110325	-	4.000	101.600	60.96	63.50	90.17	15.24	13.72	39.40	130.9	13.0	-	711800	49.30	4	107

* Straight side plates

For the use of roller or bush chains in lifting applications, it is necessary to specify this in the order to ensure the specific CE mark will be given.

For further information:

t: +44 (0) 161 498 4600
 f: +44 (0) 161 498 4565
 e: enquiry@renold.com
 w: www.renold.com

Also available from Renold



Chain Selector Page 85
The right chain for the job



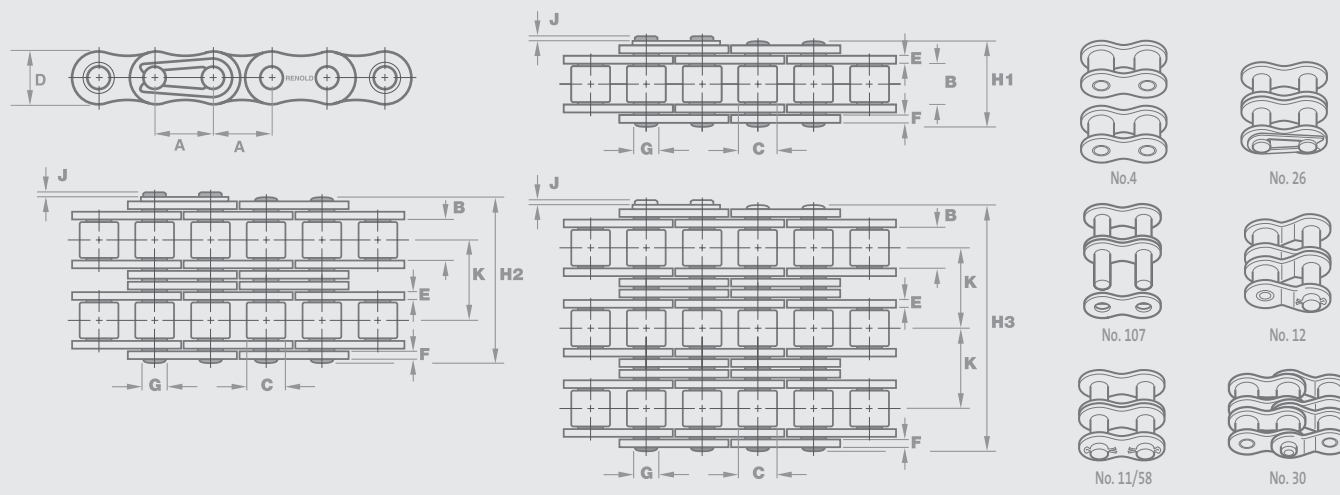
Roll-Ring Page 65
Chain tensioner



Pin Extractor Page 85
Cut chain by hand

Renold Roller Chain

Premier standard chain



Chain Ref.		Technical Details (mm)												Connecting Links		
Renold Chain No.	ISO Ref.	Pitch (inch)	Pitch (mm)	Inside Width	Roller Diam.	Plate Height	Plate Width Inner	Plate Width Outer	Pin Diam.	Pin Length	Conn. Link Extension	Transverse Pitch	ISO606 Tensile Strength (NEWTONS)	Weight		
					MIN	MAX	MAX	MAX	MAX	MAX	MAX	NOM	MIN	kg/m		

European (BS) Standard - Duplex

		A	A	B	C	D	E	F	G	H1	J	K				
05B2	05B-2	0.315	8.000	3.00	5.00	7.11	0.76	0.76	2.31	14.3	1.5	5.64	7800	0.36	4	107 26 30
06B2*	06B-2	0.375	9.525	5.72	6.35	8.20	1.29	1.04	3.28	23.0	1.3	10.24	16900	0.78	4	107 26 30
08B2	08B-2	0.500	12.700	7.75	8.51	11.70	1.55	1.55	4.45	30.4	2.0	13.92	31100	1.38	4	107 26 30
10B2	10B-2	0.625	15.875	9.65	10.16	14.60	1.55	1.55	5.08	35.4	2.5	16.59	44500	1.69	4	107 26 30
12B2	12B-2	0.750	19.050	11.68	12.07	16.00	1.81	1.81	5.72	41.4	2.6	19.46	57800	2.42	4	107 26 30
16B2	16B-2	1.000	25.400	17.02	15.88	21.08	3.76	3.10	8.28	66.8	2.2	31.88	106000	5.50	4	107 26 12
20B2	20B-2	1.250	31.750	19.56	19.05	26.42	4.62	3.61	10.19	76.7	2.7	36.45	170000	7.80	4	107 26 12
24B2	24B-2	1.500	38.100	25.40	25.40	33.40	6.10	5.08	14.63	101.3	6.8	48.36	280000	14.80	4	107 11 12
28B2	28B-2	1.750	44.450	30.99	27.94	37.08	7.62	6.35	15.90	123.7	6.8	59.56	360000	18.60	4	107 11 12
32B2	32B-2	2.000	50.800	30.99	29.21	42.29	7.11	6.35	17.81	122.0	8.0	58.55	450000	20.10	4	107 11 12
40B2	40B-2	2.500	63.500	39.30	39.37	52.96	8.13	8.13	22.89	150.5	9.5	72.29	630000	32.80	4	107 11 12
180721	-	3.000	76.200	45.72	48.26	66.04	12.19	10.16	29.24	190.4	10.5	91.21	1000000	51.00	4	107 11 69
180760	-	3.500	88.900	53.34	53.98	80.52	12.45	13.72	34.30	221.2	11.7	106.60	1557000	69.70	4	107 11
114325	-	4.000	101.600	60.96	63.50	90.17	15.24	13.72	39.40	250.8	13.0	119.90	1423420	97.50	4	107

European (BS) Standard - Triplex

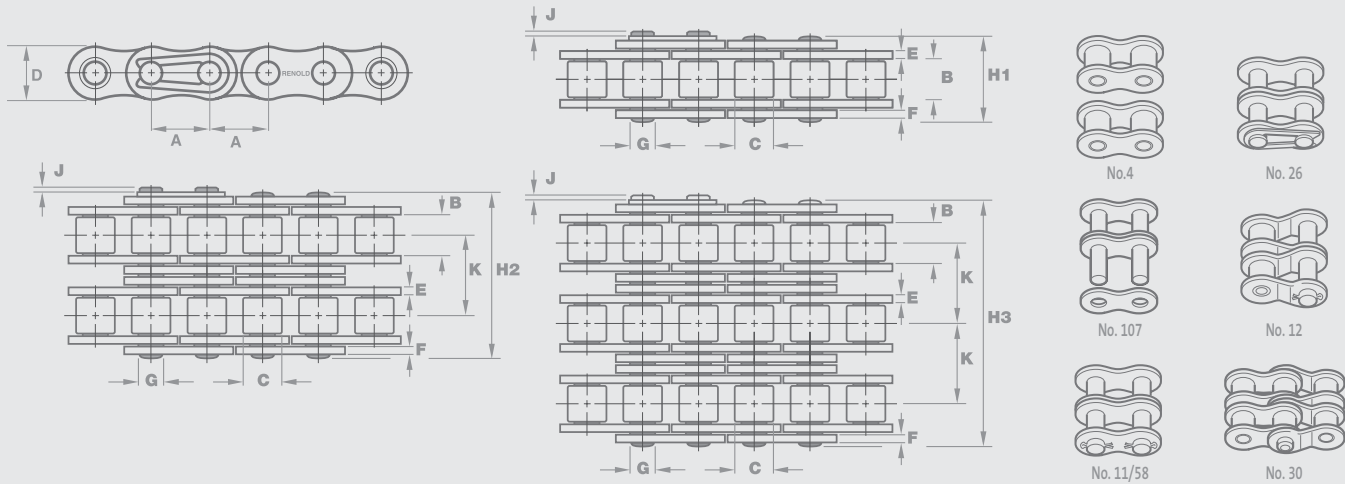
		A	A	B	C	D	E	F	G	H1	J	K				
05B3	05B-3	0.315	8.000	3.00	5.00	7.11	0.76	0.76	2.31	19.9	1.5	5.64	11100	0.54	4	107 26 30
06B3*	06B-3	0.375	9.525	5.72	6.35	8.20	1.29	1.04	3.28	33.3	1.3	10.24	24900	1.11	4	107 26 30
08B3	08B-3	0.500	12.700	7.75	8.51	11.70	1.55	1.55	4.45	44.3	2.0	13.92	44500	2.06	4	107 26 30
10B3	10B-3	0.625	15.875	9.65	10.16	14.60	1.55	1.55	5.08	52.0	2.5	16.59	66700	2.54	4	107 26 30
12B3	12B-3	0.750	19.050	11.68	12.07	16.00	1.81	1.81	5.72	60.9	2.6	19.46	86700	3.59	4	107 26 30
16B3	16B-3	1.000	25.400	17.02	15.88	21.08	3.76	3.10	8.28	98.6	2.2	31.88	160000	8.15	4	107 26 12
20B3	20B-3	1.250	31.750	19.56	19.05	26.42	4.62	3.61	10.19	113.2	2.7	36.45	250000	11.65	4	107 26 12
24B3	24B-3	1.500	38.100	25.40	25.40	33.40	6.10	5.08	14.63	149.7	6.8	48.36	425000	22.25	4	107 11 12
28B3	28B-3	1.750	44.450	30.99	27.94	37.08	7.62	6.35	15.90	183.3	6.8	59.56	530000	28.00	4	107 11 12
32B3	32B-3	2.000	50.800	30.99	29.21	42.29	7.11	6.35	17.81	180.5	8.0	58.55	670000	30.00	4	107 11 12
40B3	40B-3	2.500	63.500	39.30	39.37	52.96	8.13	8.13	22.89	222.8	9.5	72.29	950000	48.90	4	107 11 12
180739	-	3.000	76.200	45.72	48.26	66.04	12.19	10.16	29.24	281.6	10.5	91.21	1500000	76.20	4	107 11

* Straight side plates

For the use of roller or bush chains in lifting applications, it is necessary to specify this in the order to ensure the specific CE mark will be given.

Renold Roller Chain

Premier standard chain



Chain Ref.		Technical Details (mm)												Connecting Links		
Renold Chain No.	ANSI Ref.	Pitch (inch)	Pitch (mm)	Inside Width	Roller Diam.	Plate Height	Plate Width Inner	Plate Width Outer	Pin Diam.	Pin Length	Conn. Link Extension	Transverse Pitch	ISO606 Tensile Strength (NEWTONS)	Weight kg/m		
					MIN	MAX	MAX	MAX	MAX	MAX	MAX	NOM	MIN			

ANSI Standard - Simplex

		A	A	B	C	D	E	F	G	H1	J	K				
25A1 [◇]	25-1	0.250	6.350	3.10	3.30	5.90	0.76	0.76	2.30	7.9	1.2	-	3500	0.12	4	107 26 30
35A1 [◇]	35-1	0.375	9.525	4.68	5.08	8.60	1.29	1.29	3.59	12.0	1.7	-	7900	0.35	4	107 26 12 30
40A1	40-1	0.500	12.700	7.85	7.92	11.20	1.55	1.55	3.97	16.4	2.1	-	13900	0.60	4	107 11 26 12 30
41A1	41-1	0.500	12.700	6.35	7.77	9.91	1.30	1.30	3.59	14.5	2.1	-	6700	0.42	4	107 26 12 30
50A1	50-1	0.625	15.875	9.40	10.16	14.60	2.04	2.04	5.08	20.4	2.7	-	21800	1.00	4	107 11 26 12 30
60A1	60-1	0.750	19.050	12.57	11.91	17.50	2.45	2.45	5.94	25.3	2.6	-	31300	1.47	4	107 11 26 12 30
80A1	80-1	1.000	25.400	15.75	15.88	24.13	3.25	3.25	7.94	32.7	3.0	-	55600	2.80	4	107 11 58 12
100A1	100-1	1.250	31.750	18.90	19.05	30.17	4.06	4.06	9.54	39.7	4.2	-	87000	4.20	4	107 11 58 12
120A1	120-1	1.500	38.100	25.23	22.23	36.20	4.80	4.80	11.11	49.3	5.3	-	125000	5.70	4	107 11 58 12
140A1	140-1	1.750	44.450	25.23	25.40	42.23	5.61	5.61	12.71	52.9	5.2	-	170000	7.80	4	107 11 58 12
160A1	160-1	2.000	50.800	31.55	28.58	48.26	6.35	6.35	14.29	63.1	6.5	-	223000	10.40	4	107 11 58 12
180A1	180-1	2.250	57.150	35.48	35.71	54.30	7.11	7.11	17.46	70.6	7.9	-	281000	13.94	4	107 11 58
200A1	200-1	2.500	63.500	37.85	39.67	60.33	8.13	8.13	19.85	76.9	9.0	-	347000	17.30	4	107 11 58 12
240A1	240-1	3.000	76.200	47.35	47.62	72.39	9.80	9.80	23.80	94.4	10.5	-	500000	25.00	4	107 11 58

[◇] Bush Chain

For the use of roller or bush chains in lifting applications, it is necessary to specify this in the order to ensure the specific CE mark will be given.

For further information:

t: +44 (0) 161 498 4600
 f: +44 (0) 161 498 4565
 e: enquiry@renold.com
 w: www.renold.com

Also available
from Renold



Chain Selector Page 85
The right chain for the job



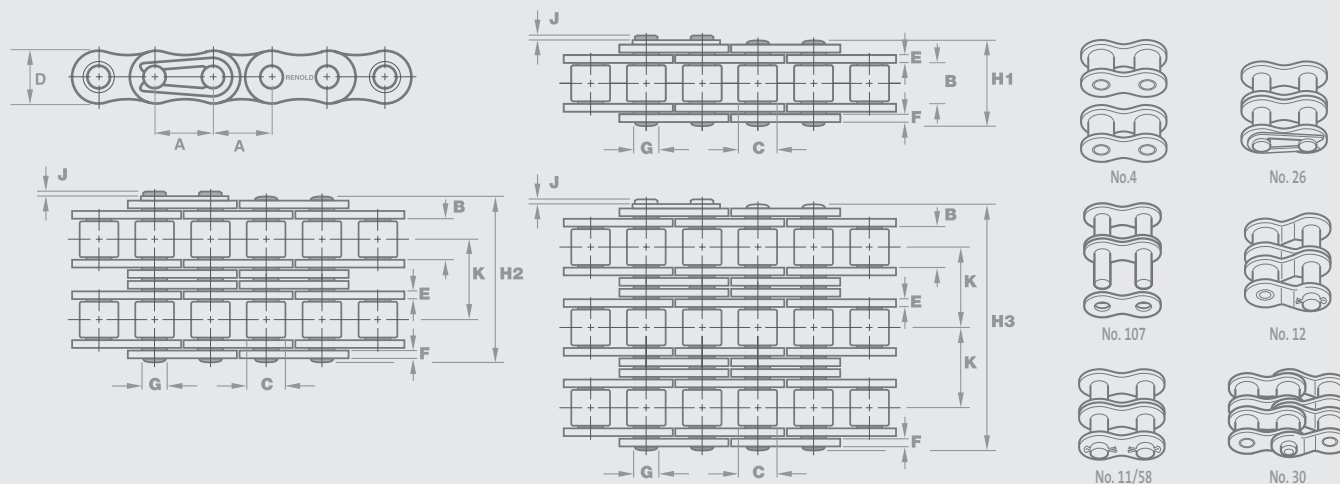
Roll-Ring Page 65
Chain tensioner



Pin Extractor Page 85
Cut chain by hand

Renold Roller Chain

Premier standard chain



Chain Ref.		Technical Details (mm)												Connecting Links		
Renold Chain No.	ANSI Ref.	Pitch (inch)	Pitch (mm)	Inside Width	Roller Diam.	Plate Height	Plate Width Inner	Plate Width Outer	Pin Diam.	Pin Length	Conn. Link Extension	Transverse Pitch	ISO606 Tensile Strength (NEWTONS)	Weight		
					MIN	MAX	MAX	MAX	MAX	MAX	MAX	NOM	MIN	kg/m		

ANSI Standard - Duplex

		A	A	B	C	D	E	F	G	H1	J	K				
25A2 [◇]	25-2	0.250	6.350	3.10	3.30	5.90	0.76	0.76	2.30	14.2	1.2	6.40	7000	0.26	4	107 26 30
35A2 [◇]	35-2	0.375	9.525	4.68	5.08	8.60	1.29	1.29	3.59	22.2	1.7	10.13	15800	0.62	4	107 26 12 30
40A2	40-2	0.500	12.700	7.85	7.92	11.20	1.55	1.55	3.97	30.8	2.1	14.38	27800	1.20	4	107 11 26 12 30
50A2	50-2	0.625	15.875	9.40	10.16	14.60	2.04	2.04	5.08	38.4	2.7	18.11	43600	1.98	4	107 11 26 12 30
60A2	60-2	0.750	19.050	12.57	11.91	17.50	2.45	2.45	5.94	48.1	2.6	22.78	62600	2.91	4	107 11 26 12 30
80A2	80-2	1.000	25.400	15.75	15.88	24.13	3.25	3.25	7.94	61.9	3.0	29.29	111200	5.50	4	107 11 58 12
100A2	100-2	1.250	31.750	18.90	19.05	30.17	4.06	4.06	9.54	75.4	4.2	35.76	174000	8.40	4	107 11 58 12
120A2	120-2	1.500	38.100	25.23	22.23	36.20	4.80	4.80	11.11	94.7	5.3	45.44	250000	11.00	4	107 11 58 12
140A2	140-2	1.750	44.450	25.23	25.40	42.23	5.61	5.61	12.71	101.8	5.2	48.87	340000	15.50	4	107 11 58 12
160A2	160-2	2.000	50.800	31.55	28.58	48.26	6.35	6.35	14.29	121.6	6.5	58.55	446000	20.60	4	107 11 58 12
180A2	180-2	2.250	57.150	35.48	35.71	54.30	7.11	7.11	17.46	136.5	7.9	65.84	562000	27.72	4	107 11 58
200A2	200-2	2.500	63.500	37.85	39.67	60.33	8.13	8.13	19.85	148.5	9.0	71.55	694000	34.40	4	107 11 58 12
240A2	240-2	3.000	76.200	47.35	47.62	72.39	9.80	9.80	23.80	182.2	10.5	87.80	1000000	50.00	4	107 11 58

ANSI Standard - Triplex

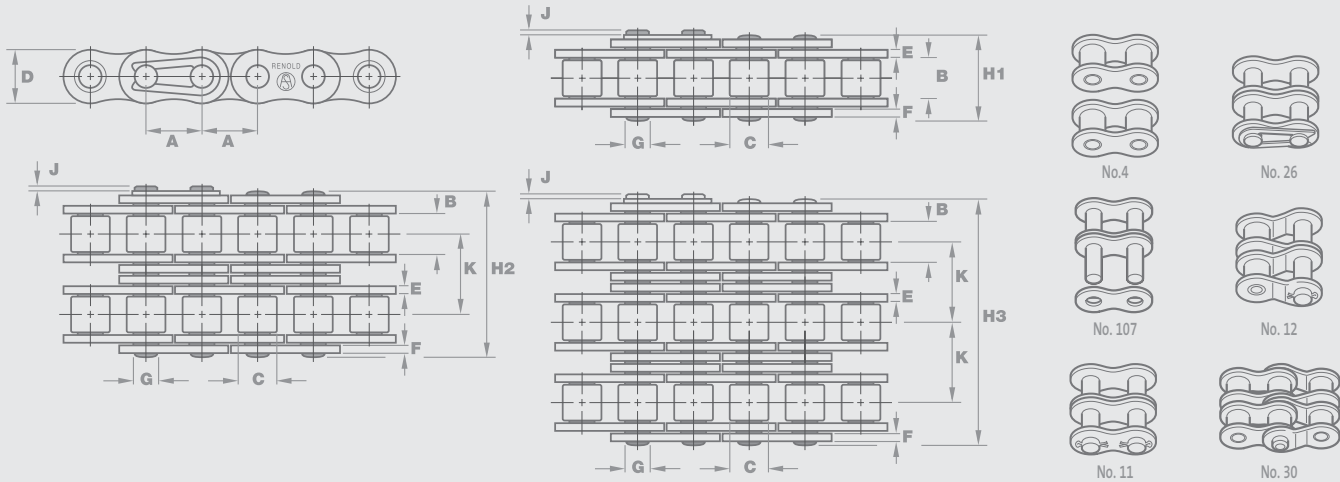
		A	A	B	C	D	E	F	G	H1	J	K				
25A3 [◇]	25-3	0.250	6.350	3.10	3.30	5.90	0.76	0.76	2.30	20.8	1.2	6.40	10500	0.39	4	107 26 30
35A3 [◇]	35-3	0.375	9.525	4.68	5.08	8.60	1.29	1.29	3.59	32.2	1.7	10.13	23700	0.93	4	107 26 12 30
40A3	40-3	0.500	12.700	7.85	7.92	11.20	1.55	1.55	3.97	45.1	2.1	14.38	41700	1.80	4	107 11 26 12 30
50A3	50-3	0.625	15.875	9.40	10.16	14.60	2.04	2.04	5.08	56.5	2.7	18.11	65400	2.96	4	107 11 26 12 30
60A3	60-3	0.750	19.050	12.57	11.91	17.50	2.45	2.45	5.94	70.9	2.6	22.78	93900	4.38	4	107 11 26 12 30
80A3	80-3	1.000	25.400	15.75	15.88	24.13	3.25	3.25	7.94	91.2	3.0	29.29	166800	8.30	4	107 11 12
100A3	100-3	1.250	31.750	18.90	19.05	30.17	4.06	4.06	9.54	111.2	4.2	35.76	261000	12.60	4	107 11 12
120A3	120-3	1.500	38.100	25.23	22.23	36.20	4.80	4.80	11.11	140.2	5.3	45.44	375000	16.70	4	107 11 12
140A3	140-3	1.750	44.450	25.23	25.40	42.23	5.61	5.61	12.71	150.7	5.2	48.87	510000	23.10	4	107 11 12
160A3	160-3	2.000	50.800	31.55	28.58	48.26	6.35	6.35	14.29	180.2	6.5	58.55	669000	31.00	4	107 11 12
180A3	180-3	2.250	57.150	35.48	35.71	54.30	7.11	7.11	17.46	202.3	7.9	65.84	843000	41.50	4	107 11
200A3	200-3	2.500	63.500	37.85	39.67	60.33	8.13	8.13	19.85	229.0	9.0	71.55	1041000	51.20	4	107 11 12
240A3	240-3	3.000	76.200	47.35	47.62	72.39	9.80	9.80	23.80	270.1	10.5	87.80	1500000	75.00	4	107 11 58

[◇] Bush Chain

For the use of roller or bush chains in lifting applications, it is necessary to specify this in the order to ensure the specific CE mark will be given.

Renold A&S

All-purpose Standard Chain



Chain Ref.		Technical Details (mm)													Connecting Links	
Renold Chain No.	ISO Ref.	Pitch (inch)	Pitch (mm)	Inside Width	Roller Diam.	Plate Height	Plate Width Inner	Plate Width Outer	Pin Diam.	Pin Length	Conn. Link Extension	Transverse Pitch	ISO606 Tensile Strength (NEWTONS)	Weight kg/m		
					MIN	MAX	MAX	MAX	MAX	MAX	MAX	NOM	MIN			

European (BS) Standard - Simplex

		A	A	B	C	D	E	F	G	H1	J	K					
1000001	-	0.158	4.000	2.70	2.50	4.10	0.57	0.57	1.65	6.8	1.2	-	1800	0.07	4	107	11
AR03B1	03	0.197	5.000	2.50	3.20	4.10	0.60	0.60	1.49	7.4	1.3	-	2200	0.08	4	107	26 30
AR04B1	04	0.236	6.000	2.80	4.00	5.00	0.60	0.60	1.85	7.4	1.0	-	3000	0.12	4	107	26 30
AR05B1	05B-1	0.315	8.000	3.00	5.00	7.11	0.76	0.76	2.31	8.6	1.5	-	4400	0.18	4	107	26 30
AR06B1*	06B-1	0.375	9.525	5.72	6.35	8.20	1.29	1.04	3.28	12.5	1.3	-	8900	0.39	4	107	26 30
AR08B1**	08B-1	0.500	12.700	7.75	8.51	11.70	1.55	1.55	4.45	16.5	2.0	-	17800	0.70	4	107	26 30
AR10B1**	10B-1	0.625	15.875	9.65	10.16	14.60	1.55	1.55	5.08	18.8	2.5	-	22200	0.96	4	107	26 30
AR12B1**	12B-1	0.750	19.050	11.68	12.07	16.00	1.81	1.81	5.72	21.9	2.6	-	28900	1.22	4	107	26 30
AR16B1**	16B-1	1.000	25.400	17.02	15.88	21.08	4.12	3.10	8.28	34.9	2.2	-	60000	2.80	4	107	26 12 30
AR20B1**	20B-1	1.250	31.750	19.56	19.05	26.42	4.62	3.61	10.19	39.8	2.7	-	95000	3.85	4	107	26 12
AR24B1**	24B-1	1.500	38.100	25.40	25.40	33.40	6.10	5.08	14.63	52.6	6.8	-	160000	7.45	4	107	11 12
AR28B1	28B-1	1.750	44.450	30.99	27.94	37.08	7.62	6.35	15.90	64.2	6.8	-	200000	9.35	4	107	11 12
AR32B1	32B-1	2.000	50.800	30.99	29.21	42.29	7.11	6.35	17.81	63.4	8.0	-	250000	10.10	4	107	11 12
AR40B1	40B-1	2.500	63.500	39.30	39.37	52.96	8.13	8.13	22.89	78.2	9.5	-	355000	16.50	4	107	11 12

European (BS) Standard - Duplex

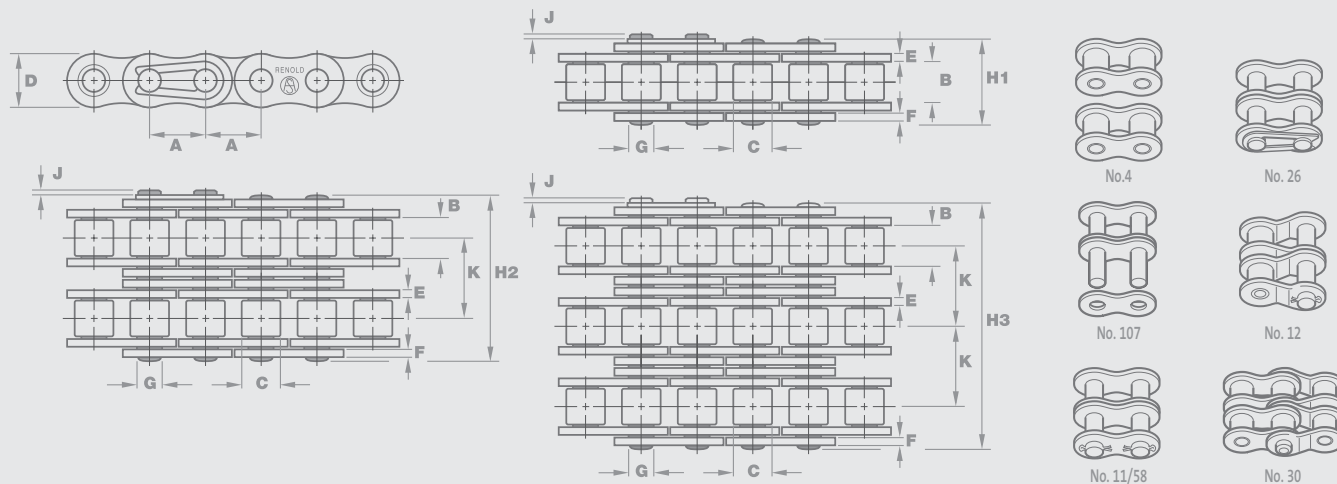
		A	A	B	C	D	E	F	G	H1	J	K					
AR04B2	04	0.236	6.000	2.80	4.00	5.00	0.60	0.60	1.85	7.4	1.0	5.50	6000	0.24	4	107	26 30
AR05B2	05B-2	0.315	8.000	3.00	5.00	7.11	0.76	0.76	2.31	14.3	1.5	5.64	7800	0.36	4	107	26 30
AR06B2*	06B-2	0.375	9.525	5.72	6.35	8.20	1.29	1.04	3.28	23.0	1.3	10.24	16900	0.78	4	107	26 30
AR08B2**	08B-2	0.500	12.700	7.75	8.51	11.70	1.55	1.55	4.45	30.4	2.0	13.92	31100	1.38	4	107	26 30
AR10B2**	10B-2	0.625	15.875	9.65	10.16	14.60	1.55	1.55	5.08	35.4	2.5	16.59	44500	1.69	4	107	26 30
AR12B2**	12B-2	0.750	19.050	11.68	12.07	16.00	1.81	1.81	5.72	41.4	2.6	19.46	57800	2.42	4	107	26 30
AR16B2**	16B-2	1.000	25.400	17.02	15.88	21.08	3.76	3.10	8.28	66.8	2.2	31.88	106000	5.50	4	107	26 12
AR20B2	20B-2	1.250	31.750	19.56	19.05	26.42	4.62	3.61	10.19	76.7	2.7	36.45	170000	7.80	4	107	26 12
AR24B2	24B-2	1.500	38.100	25.40	25.40	33.40	6.10	5.08	14.63	101.3	6.8	48.36	280000	14.80	4	107	11 12
AR28B2	28B-2	1.750	44.450	30.99	27.94	37.08	7.62	6.35	15.90	123.7	6.8	59.56	360000	18.60	4	107	11 12
AR32B2	32B-2	2.000	50.800	30.99	29.21	42.29	7.11	6.35	17.81	122.0	8.0	58.55	450000	20.10	4	107	11 12
AR40B2	40B-2	2.500	63.500	39.30	39.37	52.96	8.13	8.13	22.89	150.5	9.5	72.29	630000	32.80	4	107	11 12

* Only with straight plates ** Straight side plates available
 For the use of roller or bush chains in lifting applications, it is necessary to specify this in the order to ensure the specific CE mark will be given.

Also available in European (BS) Standard triplex chain

Renold A&S

All-purpose Standard Chain



Chain Ref.		Technical Details (mm)												Connecting Links		
Renold Chain No.	ISO Ref.	Pitch (inch)	Pitch (mm)	Inside Width	Roller Diam.	Plate Height	Plate Width Inner	Plate Width Outer	Pin Diam.	Pin Length	Conn. Link Extension	Transverse Pitch	ISO606 Tensile Strength (NEWTONS)	Weight		
					MIN	MAX	MAX	MAX	MAX	MAX	MAX	NOM	MIN	kg/m		

ANSI Standard - Simplex

		A	A	B	C	D	E	F	G	H1	J	K				
AR25A1 ^o	25-1	0.250	6.350	3.10	3.30	5.90	0.76	0.76	2.30	7.9	1.2	-	3500	0.12	4	107 26
AR35A1 ^o	35-1	0.375	9.525	4.68	5.08	8.60	1.29	1.29	3.59	12.0	1.7	-	7900	0.35	4	107 26
AR40A1	40-1	0.500	12.700	7.85	7.92	11.20	1.55	1.55	3.97	16.4	2.1	-	13900	0.60	4	107 26
AR50A1**	50-1	0.625	15.875	9.40	10.16	14.60	2.04	2.04	5.08	20.4	2.7	-	21800	1.00	4	107 11 26 12
AR60A1**	60-1	0.750	19.050	12.57	11.91	17.50	2.45	2.45	5.94	25.3	2.6	-	31300	1.47	4	107 11 26 12
AR80A1	80-1	1.000	25.400	15.75	15.88	24.13	3.25	3.25	7.94	32.7	3.0	-	55600	2.80	4	107 11 58 12
AR100A1	100-1	1.250	31.750	18.90	19.05	30.17	4.06	4.06	9.54	39.7	4.2	-	87000	4.20	4	107 11 58 12
AR120A1	120-1	1.500	38.100	25.23	22.23	36.20	4.80	4.80	11.11	49.3	5.3	-	125000	5.70	4	107 11 58 12
AR140A1	140-1	1.750	44.450	25.23	25.40	42.23	5.61	5.61	12.71	52.9	5.2	-	170000	7.80	4	107 11 58 12
AR160A1	160-1	2.000	50.800	31.55	28.58	48.26	6.35	6.35	14.29	63.1	6.5	-	223000	10.40	4	107 11 58 12
AR200A1	200-1	2.500	63.500	37.85	39.67	60.33	8.13	8.13	19.85	76.9	9.0	-	347000	17.30	4	107 11 58 12

ANSI Standard - Duplex

		A	A	B	C	D	E	F	G	H1	J	K				
AR25A2 ^o	25-2	0.250	6.350	3.10	3.30	5.90	0.76	0.76	2.30	14.2	1.2	6.40	7000	0.26	4	107 26
AR35A2 ^o	35-2	0.375	9.525	4.68	5.08	8.60	1.29	1.29	3.59	22.2	1.7	10.13	15800	0.62	4	107 26
AR40A2	40-2	0.500	12.700	7.85	7.92	11.20	1.55	1.55	3.97	30.8	2.1	14.38	27800	1.20	4	107 26
AR50A2	50-2	0.625	15.875	9.40	10.16	14.60	2.04	2.04	5.08	38.4	2.7	18.11	43600	1.98	4	107 11 26 12
AR60A2	60-2	0.750	19.050	12.57	11.91	17.50	2.45	2.45	5.94	48.1	2.6	22.78	62600	2.91	4	107 11 26 12
AR80A2	80-2	1.000	25.400	15.75	15.88	24.13	3.25	3.25	7.94	61.9	3.0	29.29	111200	5.50	4	107 11 58 12
AR100A2	100-2	1.250	31.750	18.90	19.05	30.17	4.06	4.06	9.54	75.4	4.2	35.76	174000	8.40	4	107 11 58 12
AR120A2	120-2	1.500	38.100	25.23	22.23	36.20	4.80	4.80	11.11	94.7	5.3	45.44	250000	11.00	4	107 11 58 12
AR140A2	140-2	1.750	44.450	25.23	25.40	42.23	5.61	5.61	12.71	101.8	5.2	48.87	340000	15.50	4	107 11 58 12
AR160A2	160-2	2.000	50.800	31.55	28.58	48.26	6.35	6.35	14.29	121.6	6.5	58.55	446000	20.60	4	107 11 58 12

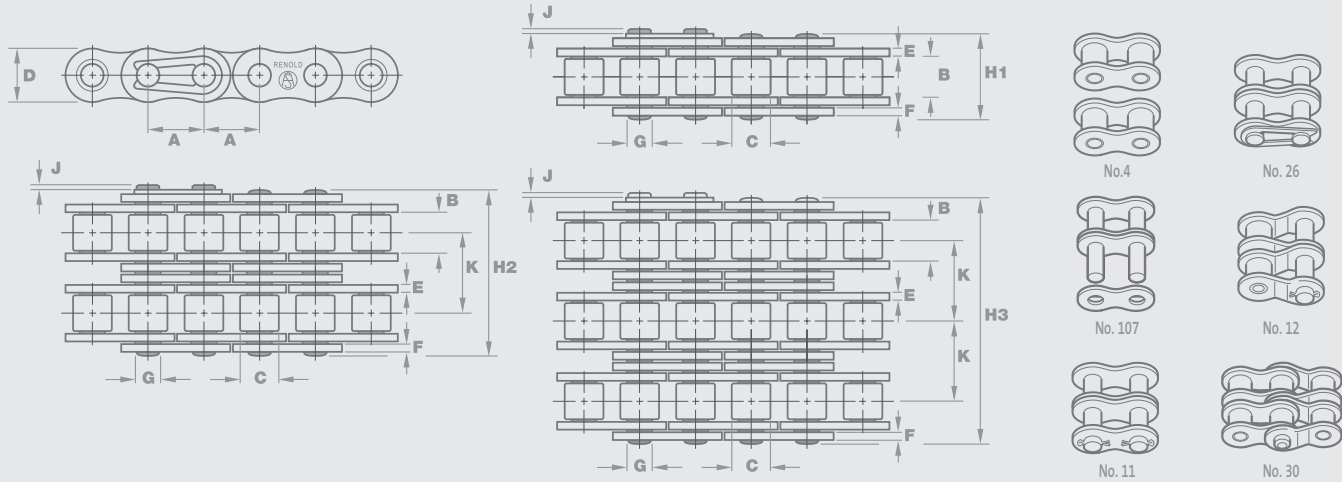
^o Bush Chain ** Straight side plates available

For the use of roller or bush chains in lifting applications, it is necessary to specify this in the order to ensure the specific CE mark will be given.

Also available in ANSI Standard triplex chain

Renold SD Roller Chain

Standard Duty Chain



Chain Ref.		Technical Details (mm)												Connecting Links		
Renold Chain No.	ISO Ref.	Pitch (inch)	Pitch (mm)	Inside Width	Roller Diam.	Plate Height	Plate Width Inner	Plate Width Outer	Pin Diam.	Pin Length	Conn. Link Extension	Transverse Pitch	ISO606 Tensile Strength (NEWTONS)	Weight kg/m		
					MIN	MAX	MAX	MAX	MAX	MAX	MAX	NOM	MIN			

European (BS) Standard - Simplex

		A	A	B	C	D	E	F	G	H1	J	K				
SD05B-1	05B-1	-	8.000	3.00	5.00	7.11	0.75	0.75	2.31	8.0	8.9	-	4400	0.20	4	107 26 30
SD06B-1*	06B-1	0.375	9.525	5.72	6.35	8.20	1.25	1.00	3.28	13.2	14.2	-	8900	0.41	4	107 26 30
SD08B-1	08B-1	0.500	12.700	7.75	8.51	11.80	1.50	1.50	4.45	16.7	18.0	-	17800	0.69	4	107 26 30
SD10B-1	10B-1	0.625	15.875	9.65	10.16	14.70	1.65	1.65	5.08	19.6	21.0	-	22200	0.96	4	107 26 30
SD12B-1	12B-1	0.750	19.050	11.68	12.07	16.10	1.80	1.80	5.72	22.5	24.0	-	28900	1.22	4	107 26 30
SD16B-1	16B-1	1.000	25.400	17.02	15.88	21.05	4.00	3.20	8.28	36.0	37.2	-	60000	2.80	4	107 26 12 30
SD20B-1	20B-1	1.250	31.750	19.56	19.05	26.30	4.50	3.50	10.19	41.1	44.7	-	95000	3.85	4	107 26 12
SD24B-1	24B-1	1.500	38.100	25.40	25.40	33.30	6.00	5.20	14.63	53.3	57.5	-	160000	7.45	4	107 11 12
SD28B-1	28B-1	1.750	44.450	30.99	27.94	36.90	7.40	6.40	15.90	64.8	69.5	-	200000	9.35	4	107 11 12
SD32B-1	32B-1	2.000	50.800	30.99	29.21	42.10	7.10	6.40	17.81	66.2	71.0	-	250000	10.10	4	107 26 12

European (BS) Standard - Duplex

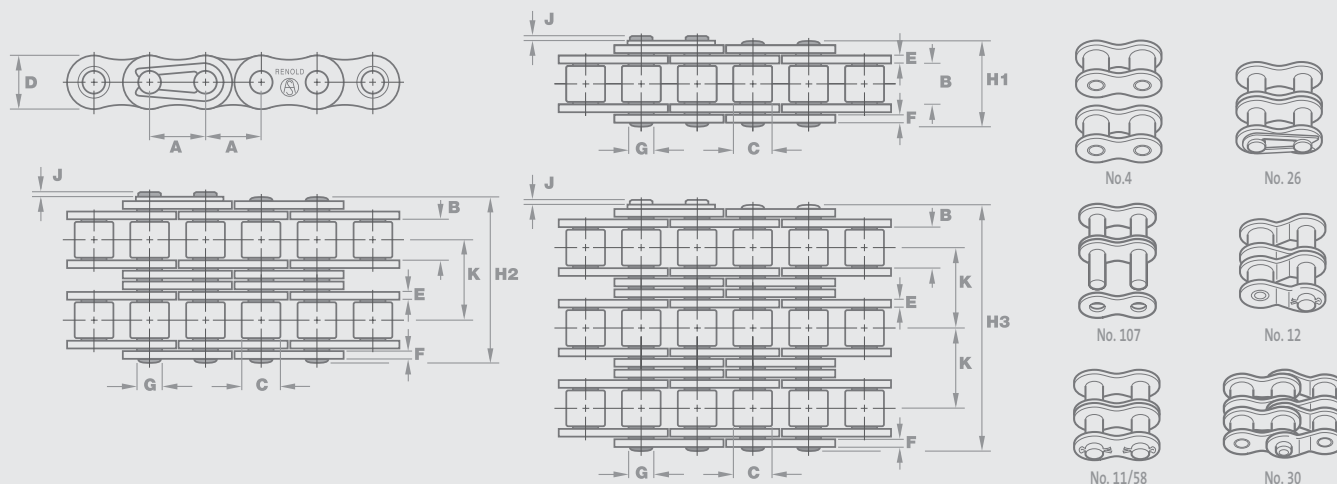
		A	A	B	C	D	E	F	G	H1	J	K				
SD06B-2*	06B-2	0.375	9.525	5.72	6.35	8.20	1.25	1.00	3.28	23.5	24.5	10.24	16900	0.77	4	107 26 30
SD08B-2	08B-2	0.500	12.700	7.75	8.51	11.80	1.50	1.50	4.45	31.0	32.1	13.92	31100	1.34	4	107 26 30
SD10B-2	10B-2	0.625	15.875	9.65	10.16	14.70	1.65	1.65	5.08	36.2	37.5	16.59	44500	1.84	4	107 26 30
SD12B-2	12B-2	0.750	19.050	11.68	12.07	16.10	1.80	1.80	5.72	42.1	43.6	19.46	57800	2.31	4	107 26 30
SD16B-2	16B-2	1.000	25.400	17.02	15.88	21.05	4.00	3.20	8.2	67.5	69.1	31.88	106000	5.42	4	107 26 12
SD20B-2	20B-2	1.250	31.750	19.56	19.05	26.30	4.50	3.50	10.19	77.2	80.9	36.45	170000	7.20	4	107 26 12
SD24B-2	24B-2	1.500	38.100	25.40	25.40	33.30	6.00	5.20	14.63	101.6	105.9	48.36	280000	13.40	4	107 11 12
SD28B-2	28B-2	1.750	44.450	30.99	27.94	36.90	7.40	6.40	15.90	124.1	129.1	59.56	360000	16.60	4	107 11 12
SD32B-2	32B-2	2.000	50.800	30.99	29.21	42.10	7.10	6.40	17.81	124.6	129.6	58.55	450000	21.00	4	107 11 12

* Only with straight plates
 For the use of roller or bush chains in lifting applications, it is necessary to specify this in the order to ensure the specific CE mark will be given.

Also available in European (BS) Standard triplex chain

Renold SD Roller Chain

Standard Duty Chain



Chain Ref.		Technical Details (mm)												Connecting Links		
Renold Chain No.	ANSI Ref.	Pitch (inch)	Pitch (mm)	Inside Width	Roller Diam.	Plate Height	Plate Width Inner	Plate Width Outer	Pin Diam.	Pin Length	Conn. Link Extension	Transverse Pitch	ISO606 Tensile Strength (NEWTONS)	Weight		
					MIN	MAX	MAX	MAX	MAX	MAX	MAX	NOM	MIN	kg/m		

ANSI Standard - Simplex

		A	A	B	C	D	E	F	G	H1	J	K				
SD25-1 ^o	25-1	0.250	6.350	3.18	3.30	5.90	0.75	0.75	2.31	7.80	8.45	-	3500	0.15	4	107 26 30
SD35-1 ^o	35-1	0.375	9.525	4.77	5.08	8.95	1.20	1.20	3.58	12.15	13.10	-	7900	0.33	4	107 26 30
SD41-1	41-1	0.500	12.700	6.25	7.77	9.90	1.20	1.20	3.58	13.75	15.40	-	6700	0.41	4	107 26 30
SD40-1	40-1	0.500	12.700	7.85	7.95	11.90	1.50	1.50	3.96	16.60	17.75	-	13900	0.62	4	107 26 30
SD50-1	50-1	0.625	15.875	9.40	10.16	15.09	2.00	2.00	5.08	20.90	22.20	-	21800	1.02	4	107 11 26 12 30
SD60-1	60-1	0.750	19.050	12.57	11.91	18.00	2.40	2.40	5.94	25.90	27.50	-	31300	1.50	4	107 11 26 12 30
SD80-1	80-1	1.000	25.400	15.75	15.88	24.10	3.10	3.10	7.92	32.80	34.90	-	55600	2.60	4	107 11 58 12
SD100-1	100-1	1.250	31.750	18.90	19.05	30.10	3.90	3.90	9.53	40.00	43.20	-	87000	3.91	4	107 11 58 12
SD120-1	120-1	1.500	38.100	25.22	22.23	36.10	4.70	4.70	11.10	50.45	53.40	-	125000	5.62	4	107 11 58 12
SD140-1	140-1	1.750	44.450	25.22	25.40	42.00	5.60	5.60	12.70	54.20	59.00	-	170000	7.50	4	107 11 58 12
SD160-1	160-1	2.000	50.800	31.55	28.58	48.00	6.40	6.40	14.20	64.30	69.90	-	223000	10.10	4	107 11 58 12

ANSI Standard - Duplex

		A	A	B	C	D	E	F	G	H1	J	K				
SD40-2	40-2	0.500	12.700	7.85	7.95	11.90	1.50	1.50	3.96	31.1	32.25	14.38	27800	1.12	4	107 26 30
SD50-2	50-2	0.625	15.875	9.40	10.16	15.09	2.00	2.00	5.08	39.0	40.30	18.11	43600	2.00	4	107 11 26 12 30
SD60-2	60-2	0.750	19.050	12.57	11.91	18.00	2.40	2.40	5.94	48.8	50.30	22.78	62600	2.92	4	107 11 26 12 30
SD80-2	80-2	1.000	25.400	15.75	15.88	24.10	3.10	3.10	7.92	61.9	64.20	29.29	111200	5.15	4	107 11 58 12
SD100-2	100-2	1.250	31.750	18.90	19.05	30.10	3.90	3.90	9.53	76.2	80.50	35.76	174000	7.80	4	107 11 58 12
SD120-2	120-2	1.500	38.100	25.22	22.23	36.10	4.70	4.70	11.10	95.4	99.70	45.44	250000	11.70	4	107 11 58 12
SD140-2	140-2	1.750	44.450	25.22	25.40	42.00	5.60	5.60	12.70	103.1	107.90	48.87	340000	15.14	4	107 11 58 12
SD160-2	160-2	2.000	50.800	31.55	28.58	48.00	6.40	6.40	14.27	122.9	128.10	58.55	446000	20.14	4	107 11 58 12

◊ Bush Chain

For the use of roller or bush chains in lifting applications, it is necessary to specify this in the order to ensure the specific CE mark will be given.

Also available in ANSI Standard triplex chain

For further information:

t: +44 (0) 161 498 4600
 f: +44 (0) 161 498 4565
 e: enquiry@renold.com
 w: www.renold.com

Also available
from Renold



Sprockets Page 68
For roller chain use



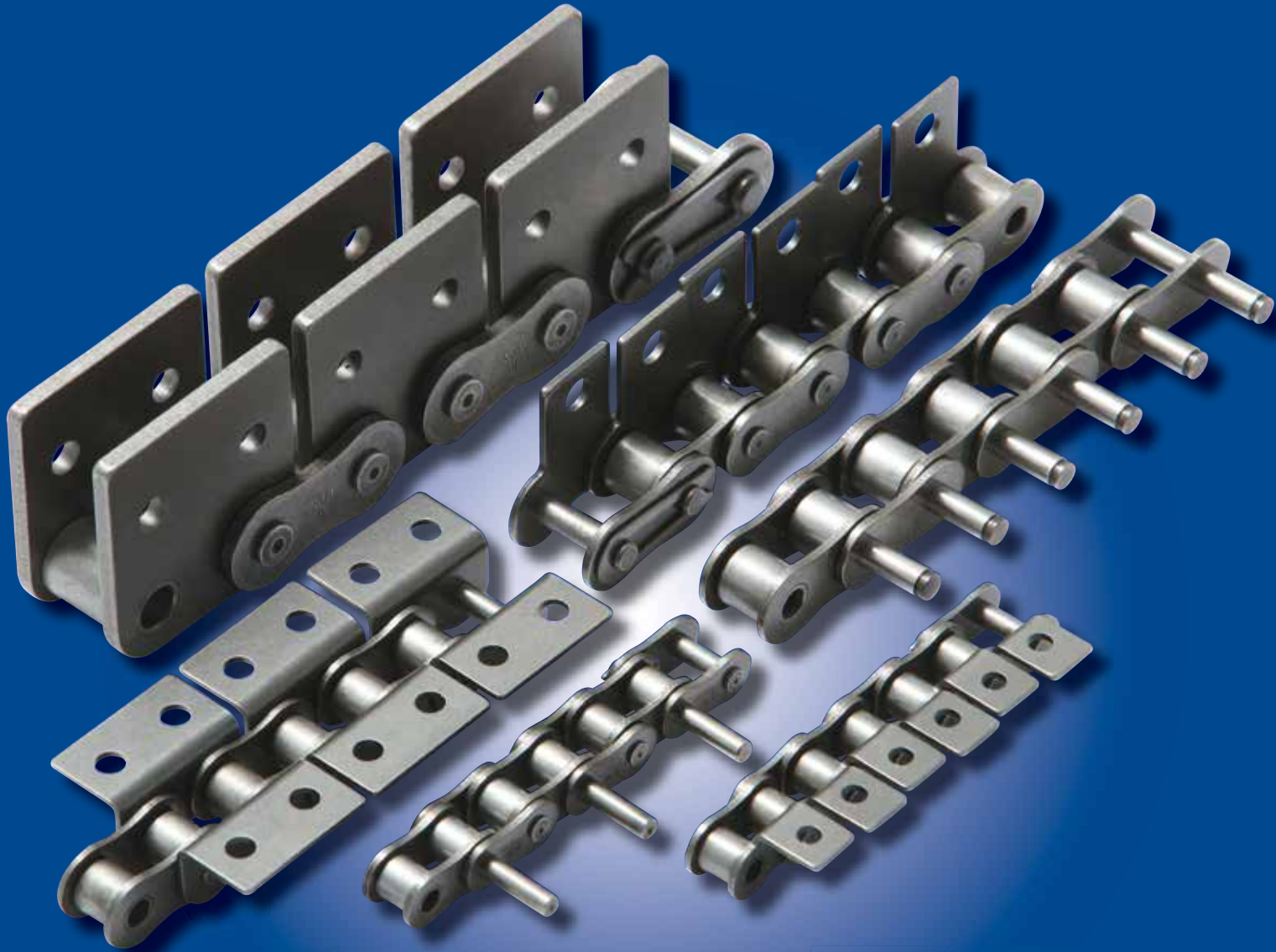
Roll-Ring Page 65
Chain tensiometer



Chain Wear Guide
Page 85

Measure chain
extension easily

Standard Attachments



STANDARD ATTACHMENT CHAIN READY IN 72 HOURS... OR FASTER!

If you need European (BS) carbon steel transmission chain, half inch (08B) to one inch (16B) pitch with ISO standard K attachments, M attachments or extended pins your chain can be ready for despatch within 72 hours.

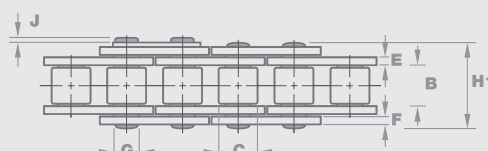
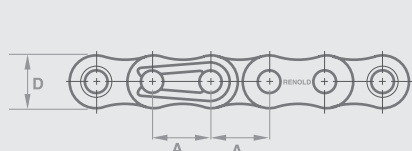
- Get your quote over the phone
- Orders ready for despatch within 72 hours
- 48 hour or 24 hour service also possible
- European (BS) transmission chain 08B to 16B
- ISO standard K or M attachments or extended pins



www.renold.com/attachmentchain

Standard Attachments

European (BS) Standard / ISO 606

No.4
Inner linkNo.26
Connecting
link-spring
clipNo.107
Outer link

Renold standard power transmission chain can be adapted for conveying duties by the fitment of attachments shown on these pages. The attachments can be assembled on one or both sides of the chain at any desired pitch spacing.

- Note:
1. K2 attachments cannot be assembled on adjacent inner and outer links on the same side of the chain.
 2. M2 & K2 attachments cannot be assembled next to a No. 30 Cranked link double joint.

Bearing pins with an extension on one side of the chain can be built into chain at any desired pitch spacing and afford a simple means by which attachments or tubular staybars may be secured to chain. The pins for BS/DIN series chain are grooved for standard external type circlips to BS 3673 Part 2 (not supplied) so that, if required, attachments may be retained endwise or can be supplied as a standard straight extended pin.

Chain Ref.		Technical Details (mm)											
Renold Chain No.	ISO Ref.	Pitch (inch)	Pitch (mm)	Inside Width	Roller Diam.	Plate Height	Plate Width Inner	Plate Width Outer	Pin Diam.	Pin Length	Conn. Link Extension	ISO606 Tensile Strength (NEWTONS)	Weight kg/m
				MIN	MAX	MAX	NOM	NOM	NOM	MAX	MAX	MIN	

European (BS) Standard - Simplex

		A	A	B	C	D	E	F	G	H1	J	K	
08B1	08B-1	0.500	12.700	7.75	8.51	11.7	1.5	1.5	4.45	16.5	3.9	19000	0.70
10B1	10B-1	0.625	15.875	9.65	10.16	14.6	1.5	1.5	5.08	18.8	4.1	24000	0.96
12B1	12B-1	0.750	19.050	11.68	12.07	16.0	1.76	1.76	5.72	21.9	4.6	30500	1.22
16B1	16B-1	1.000	25.400	17.02	15.88	20.2	3.7	3.0	8.27	35.0	5.4	65000	2.7
20B1	20B-1	1.250	31.750	19.56	19.05	25.8	4.4	3.7	10.17	40.8	6.1	100000	3.9
24B1	24B-1	1.500	38.100	25.40	25.40	33.4	6.0	5.0	14.63	52.6	6.6	180000	7.41

■ Available with our 24, 48 & 72 Hour Fast Turnaround Service

For further information:

t: +44 (0) 161 498 4600

f: +44 (0) 161 498 4565

e: enquiry@renold.com

w: www.renold.com

Also available
from Renold

Chain Wear Guide
Page 85



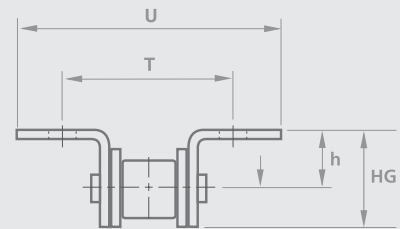
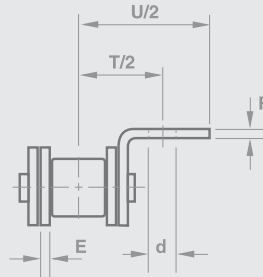
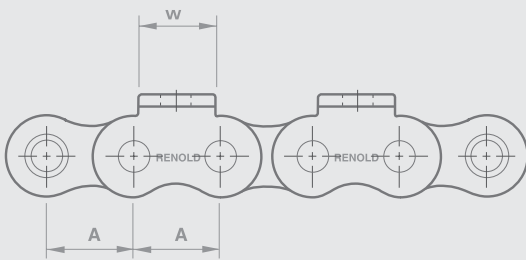
Measure chain
extension easily



Roll-Ring Page 65
Chain tensioner

K1 Attachments

ISO 606



Chain Ref.		Technical Details (mm)									
Renold Chain No.	ISO Ref.	Pitch (inch)	Pitch (mm)					Min			Max

ISO Standard

		A	A	E	F	w	h	d	g	T	U
1161	04	0.236	6.000	0.57	0.57	5.8	4.5	2.3	2.5	11.2	17.6
05B1	05B	0.315	8.000	0.73	0.73	7.8	5.3	2.3	3.4	13.5	21.5
06B1*	06B	0.375	9.525	1.25	1.00	8.0	6.7	3.3	4.0	19.6	28.5
08B1 ■	08B	0.500	12.700	1.5	1.51	11.0	8.9	4.3	5.8	25.4	41.5
10B1 ■	10B	0.625	15.875	1.5	1.51	14.0	10.3	5.3	6.8	31.8	49.6
12B1 ■	12B	0.750	19.050	1.76	1.76	18.0	13.5	6.6	8.1	38.1	52.7
16B1 ■	16B	1.000	25.400	3.70	3.00	24.0	15.9	6.6	10.25	50.8	85.6
20B1	20B	1.250	31.750	4.40	4.1	30.0	19.9	8.4	12.5	63.5	98.6
24B1	24B	1.500	38.100	6.0	5.00	36.0	28.0	10.5	16.7	88.0	124.7

* Straight plate ■ Available with our 24, 48 & 72 Hour Fast Turnaround Service

For further information:

t: +44 (0) 161 498 4600
 f: +44 (0) 161 498 4565
 e: enquiry@renold.com
 w: www.renold.com

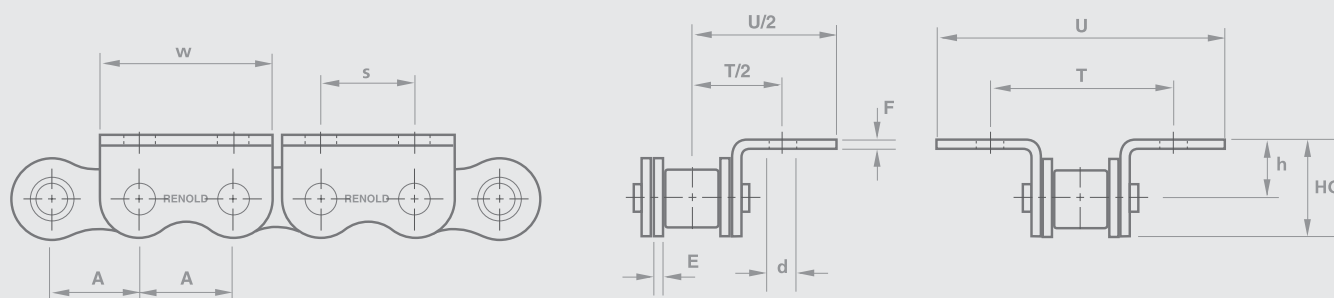
Also available from Renold

Chain Wear Guide
 Page 85



K2 Attachments

ISO 606



Chain Ref.		Technical Details (mm)										
Renold Chain No.	ISO Ref.	Pitch (inch)	Pitch (mm)				Min					Max

ISO Standard

		A	A	E	F	h	d	g	w	s	T	U
1161	04	0.236	6.000	0.57	0.57	4.5	2.3	2.5	11.1	6.0	11.2	17.6
05B1	05B	0.315	8.000	0.73	0.73	5.3	2.3	3.4	14.8	8.0	13.5	21.5
06B1*	06B	0.375	9.525	1.25	1.00	6.7	3.3	4.1	17.6	9.5	19.6	28.5
08B1 ■	08B	0.500	12.700	1.5	1.5	8.9	4.3	5.8	24.4	12.7	25.4	41.5
10B1 ■	10B	0.625	15.875	1.5	1.5	10.3	5.3	6.8	29.9	15.8	31.8	49.6
12B1 ■	12B	0.750	19.050	1.76	1.76	13.5	6.6	8.1	35.4	19.0	38.1	52.7
16B1 ■	16B	1.000	25.400	3.70	3.00	15.9	6.6	10.25	46.2	25.4	50.8	85.6
20B1	20B	1.250	31.750	4.40	4.1	19.9	8.4	12.5	57.0	31.7	63.5	98.6
24B1	24B	1.500	38.100	6.0	5.00	28.0	10.5	16.7	71.5	38.1	88.0	124.7

* Straight plate ■ Available with our 24, 48 & 72 Hour Fast Turnaround Service

For further information:

t: +44 (0) 161 498 4600

f: +44 (0) 161 498 4565

e: enquiry@renold.com

w: www.renold.com

Also available
from Renold

Chain Wear Guide
Page 85



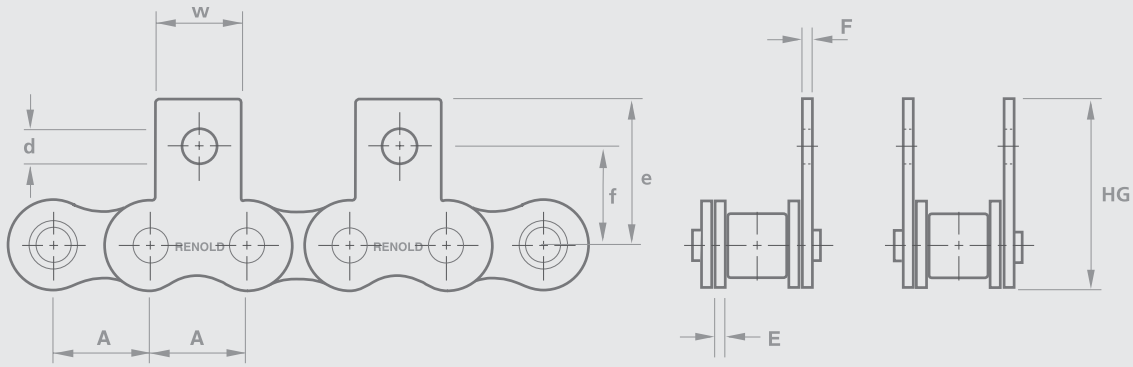
Measure chain
extension easily



Roll-Ring Page 65
Chain tensioner

M1 Attachments

Renold & ISO 606



Chain Ref.		Technical Details (mm)									
Renold Chain No.	ISO Ref.	Pitch (inch)	Pitch (mm)							Min	

ISO Standard

		A	A	E	F	w	e	f	d	g	HG
1161	04	0.236	6.000	0.57	0.57	5.8	10.0	6.8	2.3	2.5	12.5
05B1	05B	0.315	8.000	0.73	0.73	7.8	11.9	8.6	2.3	3.4	15.3
06B1*	06B	0.375	9.525	1.25	1.00	8.0	14.5	10.1	3.3	4.0	18.5
08B1 ■	08B	0.500	12.700	1.5	1.5	11.0	20.8	13.0	4.3	5.8	26.6
10B1 ■	10B	0.625	15.875	1.5	1.5	14.0	24.9	16.5	5.3	6.8	31.7
12B1 ■	12B	0.750	19.050	1.76	1.76	18.0	28.2	21.0	6.6	8.1	36.3
16B1 ■	16B	1.000	25.400	3.70	3.00	24.0	39.7	23.0	6.6	10.25	50.0
20B1	20B	1.250	31.750	4.40	3.7	30.0	47.5	30.5	8.4	12.5	60.0
24B1	24B	1.500	38.100	6.0	5.00	36.0	61.5	42.7	10.5	16.7	78.2

* Straight plate ■ Available with our 24, 48 & 72 Hour Fast Turnaround Service

For further information:

t: +44 (0) 161 498 4600
 f: +44 (0) 161 498 4565
 e: enquiry@renold.com
 w: www.renold.com

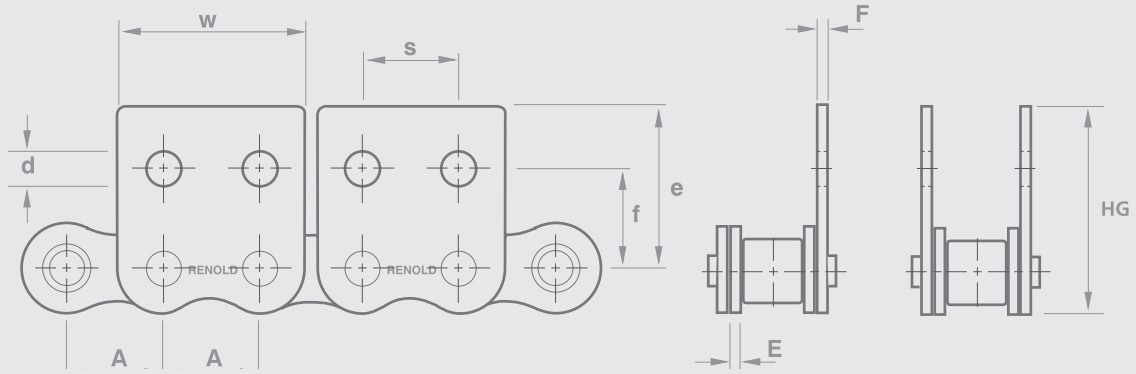
Also available from Renold

Chain Wear Guide
 Page 85



M2 Attachments

ISO 606



Chain Ref.		Technical Details (mm)										
Renold Chain No.	ISO Ref.	Pitch (inch)	Pitch (mm)					Min				

ISO Standard

		A	A	E	F	e	f	d	g	w	s	HG
1161	04	0.236	6.000	0.57	0.57	10.0	6.8	2.3	2.5	11.1	6.0	12.5
05B1	05B	0.315	8.000	0.73	0.73	11.9	8.6	2.3	3.4	14.8	8.0	15.3
06B1*	06B	0.375	9.525	1.25	1.00	14.5	10.1	3.3	4.1	17.6	9.5	18.5
08B1 ■	08B	0.500	12.700	1.5	1.5	20.8	13.0	4.3	5.8	24.4	12.7	26.6
10B1 ■	10B	0.625	15.875	1.5	1.5	24.9	16.5	5.3	6.8	29.9	15.8	31.7
12B1 ■	12B	0.750	19.050	1.76	1.76	28.2	21.0	6.6	8.1	35.4	19.0	36.3
16B1 ■	16B	1.000	25.400	3.70	3.00	39.7	23.0	6.6	10.25	46.2	25.4	50.0
20B1	20B	1.250	31.750	4.40	3.7	47.5	30.5	8.4	12.5	57.0	31.7	60.0
24B1	24B	1.500	38.100	6.0	5.00	61.5	42.7	10.5	16.7	71.5	38.1	78.2

* Straight plate ■ Available with our 24, 48 & 72 Hour Fast Turnaround Service

For further information:
 t: +44 (0) 161 498 4600
 f: +44 (0) 161 498 4565
 e: enquiry@renold.com
 w: www.renold.com

Also available
from Renold

Chain Wear Guide
Page 85

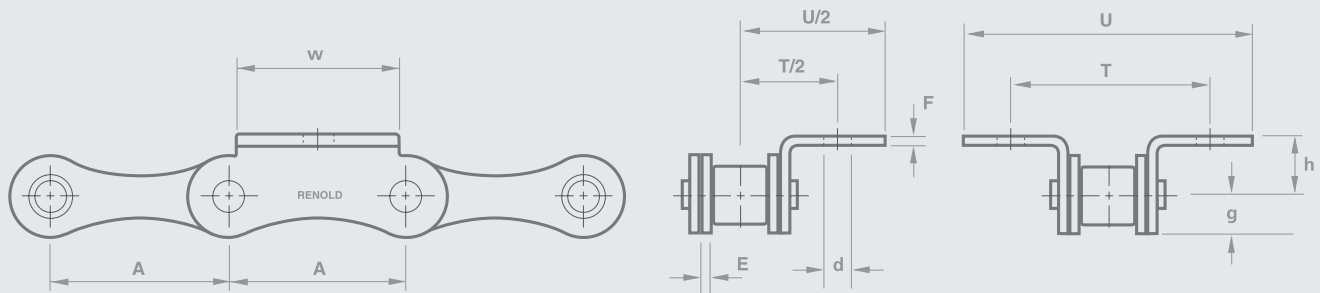


Measure chain extension easily



Roll-Ring Page 65
Chain tensioner

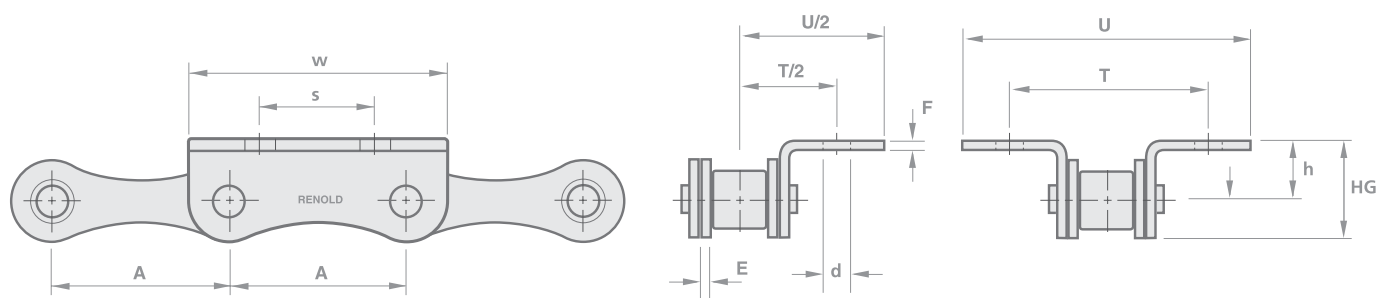
Double Pitch K1/K2 Attachments



Chain Ref.		Technical Details (mm)											
Renold Chain No.	ISO Ref.	Pitch (inch)	Pitch (mm)										

Renold BS K1 Attachments

		A	A	E	F	h	T	d	g	w	U	HG
208B1*	208B	1.00	25.40	1.5	1.5	8.5	27.6	4.3	5.75	23.8	42.5	16.25
210B1*	210B	1.25	31.75	1.5	1.5	10.5	31.6	5.3	7.3	35.4	48.5	17.8
212B1*	212B	1.50	38.10	1.76	1.76	12.2	35.2	6.4	8.0	20.0	54.8	20.2
216B1	216B	2.00	50.80	3.70	3.00	17.0	58.0	8.4	10.3	40.0	83.8	27.3
220B1	220B	2.50	63.50	4.40	4.10	-	-	10.5	11.3	69.0	-	-
224B1	224B	3.00	76.20	5.40	5.00	-	-	10.5	16.7	88.0	-	-



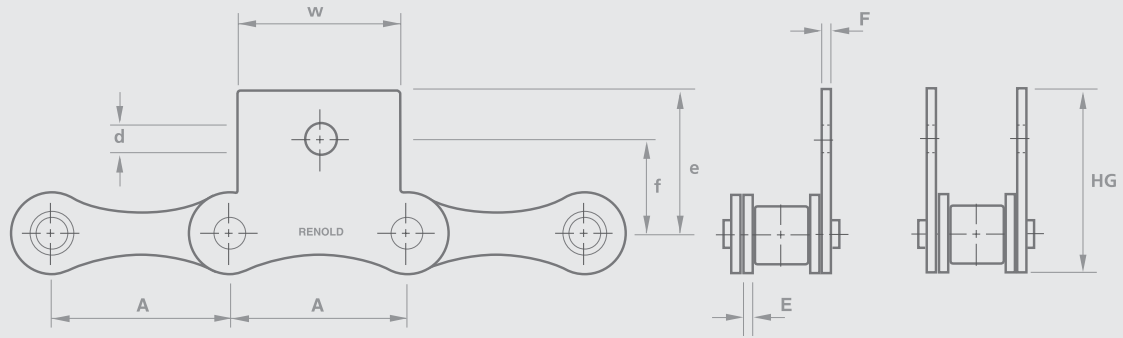
Chain Ref.		Technical Details (mm)											
Renold Chain No.	ISO Ref.	Pitch (inch)	Pitch (mm)				Min						

Renold BS K2 Attachments

		A	A	E	F	h	d	g	w	s	T	U	HG
113083*	208B1	1.00	25.40	1.5	1.5	8.5	4.3	7.75	37.1	12.7	27.6	42.5	16.25
113103*	210B1	1.25	31.75	1.5	1.5	10.5	5.3	7.3	46.7	15.8	31.6	48.5	17.8
113123*	212B1	1.50	38.10	1.76	1.76	12.2	6.4	8.0	54.4	19.0	35.2	54.8	20.2
113168	216B1	2.00	50.80	3.70	3.00	17.0	8.4	10.3	71.3	25.4	58.0	83.8	27.3
113203	220B1	2.50	63.50	4.40	4.10	21.0	10.5	11.3	86.5	31.7	69.0	98.7	-

* Straight plate

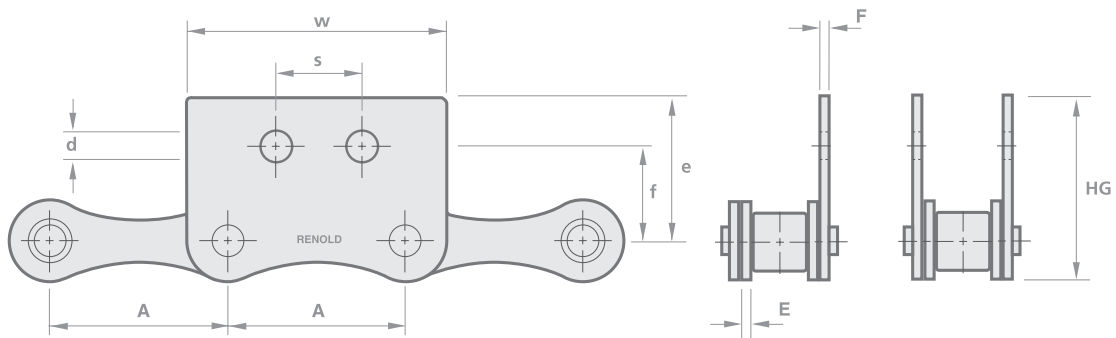
Double Pitch M1/M2 Attachments



Chain Ref.		Technical Details (mm)									
Renold Chain No.	ISO Ref.	Pitch (inch)	Pitch (mm)								

Renold BS M1 Attachments

		A	A	E	F	w	e	f	d	g	HG
113083*	208B1	1.00	25.40	1.5	1.5	23.8	20.8	13.7	4.3	5.75	26.6
113103*	210B1	1.25	31.85	1.5	1.5	25.4	24.9	16.5	5.3	7.3	32.2
113123*	212B1	1.50	38.10	1.76	1.76	20.0	28.3	18.5	6.4	8.0	36.3
113168	216B1	2.00	50.80	3.70	3.00	40.0	40.0	27.4	8.4	10.3	50.3
113203	220B1	2.50	63.50	4.40	4.10	40.0	48.7	33.0	10.5	11.3	-
113243	224B1	3.00	76.20	5.40	5.00	70.0	61.5	42.7	10.5	16.7	-



Chain Ref.		Technical Details (mm)									
Renold Chain No.	ISO Ref.	Pitch (inch)	Pitch (mm)								

Renold BS M2 Attachments

		A	A	E	F	e	f	d	g	w	s	HG
113083*	208B1	1.00	25.40	1.5	1.5	20.8	13.7	4.3	5.75	37.1	12.7	26.6
113103*	210B1	1.25	31.75	1.5	1.5	24.9	16.5	5.3	7.3	46.7	15.8	32.2
113123*	212B1	1.50	38.10	1.76	1.76	28.3	18.5	6.4	8.0	54.4	19.0	36.3
113168	216B1	2.00	50.80	3.70	3.00	40.0	27.4	8.4	10.3	71.3	25.4	50.3
113203	220B1	2.50	63.50	4.40	4.10	48.7	33.0	10.5	11.3	86.5	31.7	-
113243	224B1	3.00	76.20	5.40	5.00	61.5	42.7	10.5	16.7	-	38.1	-

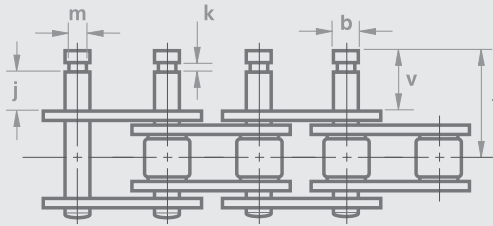
* Straight plate

Extended Bearing Pins

European (BS) Standard / ISO 606



Extended pin + circlip groove (type C)
to suit standard external circlips to BS3673 Part 2



Unit assemblies



No 163
Outer link



No 165
Connecting link - spring clip



No 164
Outer link



No 166
Connecting link - spring clip

Chain Ref.		Technical Details (mm)							
Renold Chain No.	ISO Ref.	Pitch (inch)	Pitch (mm)	Pin Diam.	Extension Length to Circlip Groove	Circlip Groove Width	Circlip Groove Diam.	Chain track from chain Centre line	Extension Length
				MAX	MAX	MIN	MIN	MAX	

Type C

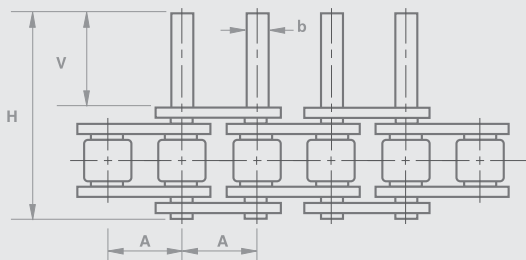
		A	A	b	j	k	m	f	v
08B1	08B-1	0.500	12.700	4.45	7.16	0.64	3.125	17.85	9.2
10B1	10B-1	0.625	15.875	5.08	9.5	0.71	3.61	21.5	11.9
12B1	12B-1	0.750	19.050	5.72	11.96	0.74	3.925	25.15	15.6
16B1	16B-1	1.000	25.400	8.28	15.75	1.25	7.15	50.65	34.63

Extended pins with circlip groove

(clip not supplied unless specifically requested)



Extended pin (type D)



Unit assemblies



No 563
Outer link



No 565
Connecting link - spring clip



No 564
Outer link



No 566
Connecting link - spring clip

Chain Ref.		Technical Details (mm)				
Renold Chain No.	ISO Ref.	Pitch (inch)	Pitch (mm)	Pin Diam.	Extension Length	Pin Length
					±0.25	MIN

Type D - ISO 606

		A	A	b	v	H
06B1*	06B-1	0.375	9.525	3.28	11.3	23.0
08B1	08B-1	0.500	12.700	4.43	14.8	30.4
10B1	10B-1	0.625	15.875	5.06	17.6	35.4
12B1	12B-1	0.750	19.050	5.70	20.7	41.4
16B1	16B-1	1.000	25.400	8.27	33.3	66.8
20B1	20B-1	1.250	31.750	10.17	38.3	77.9
24B1	24B-1	1.500	38.100	14.63	50.3	101.3

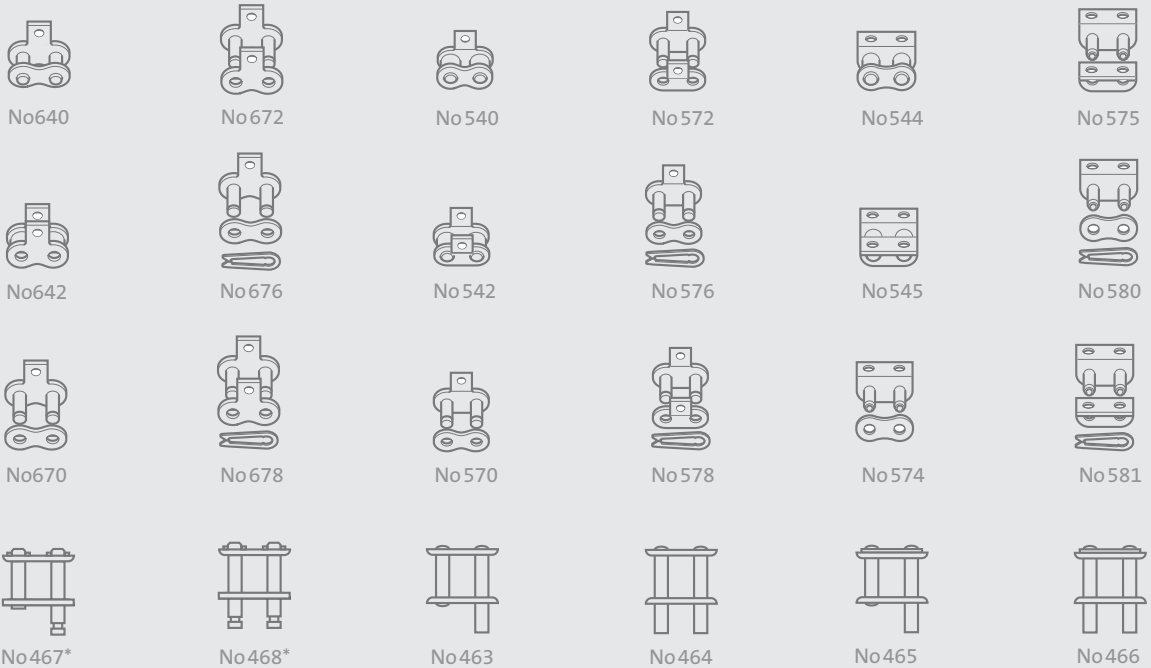
Straight extended pin



* Straight plate Available with our 24, 48 & 72 Hour Fast Turnaround Service

Attachment Chain Connecting Links

ANSI Standard



* Ansi 80

Special or adapted roller chain

In addition to our ranges of standard series chain we can also offer:

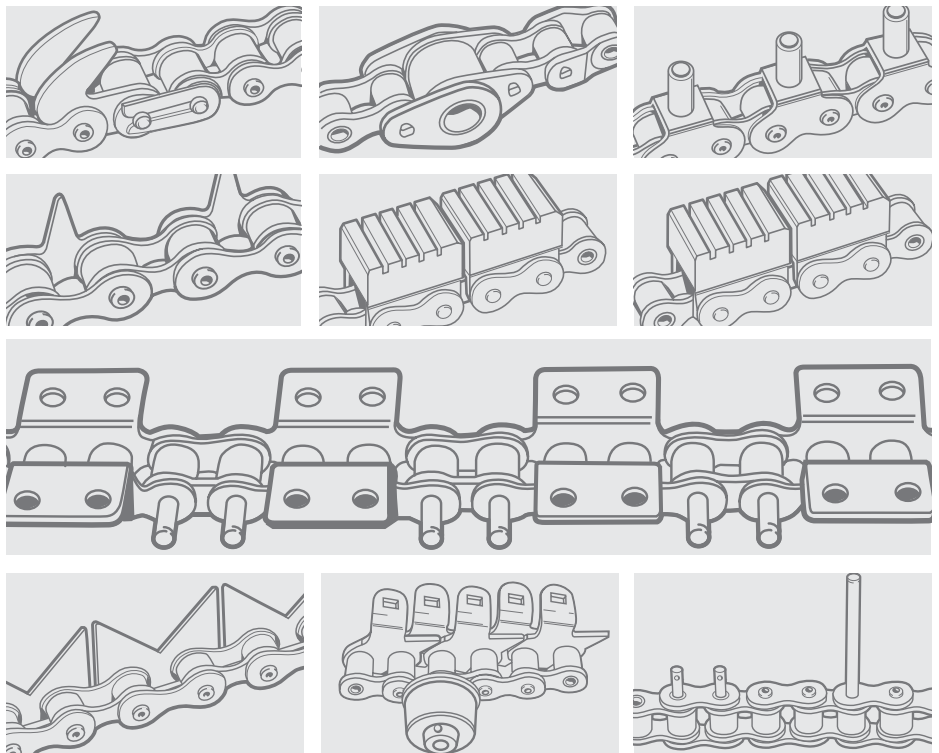
- Standard Series Chain adapted to your unique needs with special attachments
- Special Chain designed with integral attachments to meet individual requirements

Renold adapted chain can be in the form of special plates, pin rollers, or blocks which can be designed, manufactured and assembled into chain of all pitch sizes.

Attachments can be made from normal materials, stainless steel or plastics.

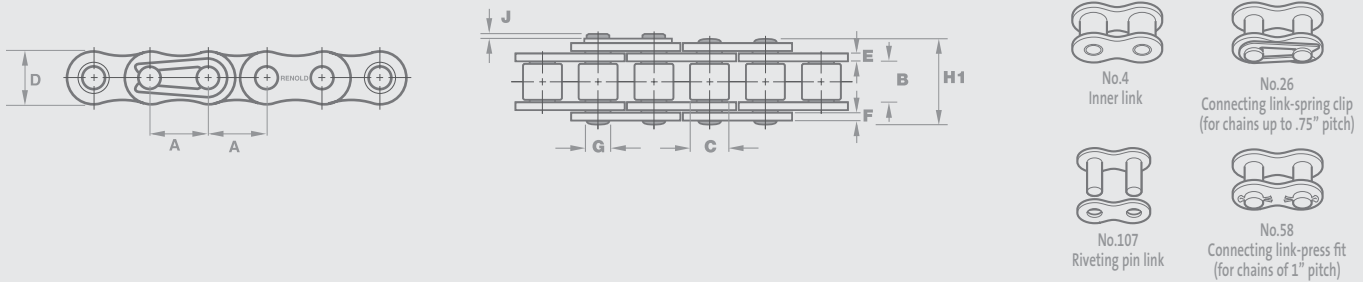
We will be pleased to receive details of your requirements and evaluate them for strength, durability, price and despatch. They can be manufactured from your own designs or adapted from existing drawings.

The illustrations show only a small selection of the wide range of variants and these chains have been used successfully in many branches of industry for the feeding, conveying and discharge of a variety of products.



Standard Attachments

ANSI standard



Renold standard power transmission chain can be adapted for conveying duties by the fitment of attachments shown on these pages. The attachments can be assembled on one or both sides of the chain at any desired pitch spacing.

- Note:
1. K2 attachments cannot be assembled on adjacent inner and outer links on the same side of the chain.
 2. M2 & K2 attachments cannot be assembled next to a No. 30 (Cranked link double) joint.

Bearing pins with an extension on one side of the chain can be built into chain at any desired pitch spacing and afford a simple means by which attachments or tubular staybars may be secured to chain.

Chain Ref.		Technical Details (mm)											Weight kg/m
Renold Chain No.	ISO Ref.	Pitch (inch)	Pitch (mm)	Inside Width MIN	Roller Diam. MAX	Plate Height MAX	Plate Width Inner MAX	Plate Width Outer MAX	Pin Diam. MAX	Pin Length MAX	Conn. Link Extension MAX	ISO606 Tensile Strength (NEWTONS) MIN	

ANSI Standard - Simplex

		A	A	B	C	D	E	F	G	H1	J	K	
35A1 [◇]	35	0.375	9.525	4.68	5.08 ^{◇◇}	8.6	1.25	1.25	3.59	12.0	3.3	10000	0.31
40A1	40	0.500	12.700	7.85	7.92	11.2	1.5	1.5	3.97	16.4	3.9	16900	0.6
50A1	50	0.625	15.875	9.40	10.16	14.6	2.0	2.0	5.08	20.4	4.1	27800	1.0
60A1	60	0.750	19.050	12.57	11.91	17.5	2.4	2.4	5.94	25.3	4.6	38000	1.51
80A1	80	1.000	25.400	15.75	15.88	23.0	3.0	3.0	7.93	32.0	5.4	56700	2.59

◇ Bush Chain ◇◇ Bush Diameter

For further information:

t: +44 (0) 161 498 4600
 f: +44 (0) 161 498 4565
 e: enquiry@renold.com
 w: www.renold.com

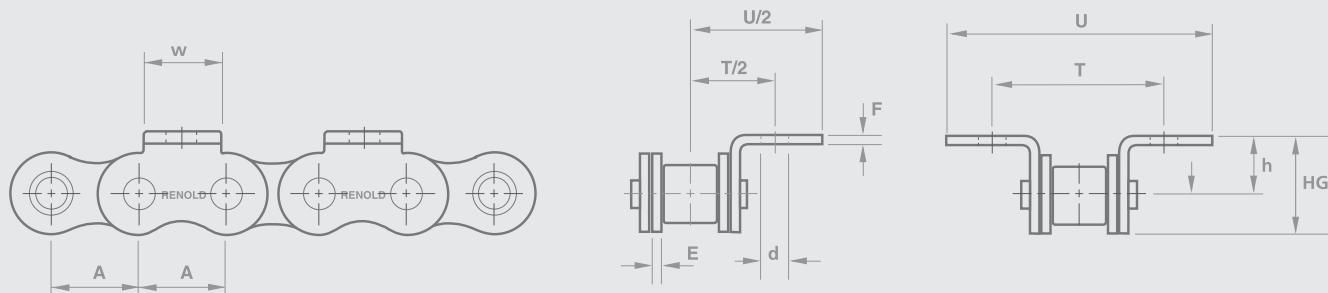
Also available from Renold

Chain Wear Guide
Page 85



K1 Attachments

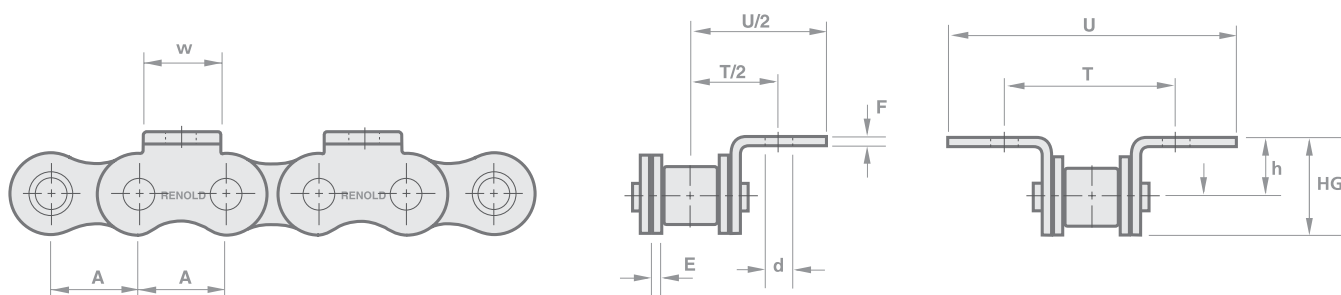
ANSI B29.100 / ISO 606



Chain Ref.		Technical Details (mm)										
Renold Chain No.	ISO Ref.	Pitch (inch)	Pitch (mm)									

ANSI Standard

		A	A	E	F	w	h	d	g	T	U	HG
40A1	40	0.500	12.700	1.5	1.5	9.50	7.900	3.5	5.5	25.4	35.8	13.4
50A1	50	0.625	15.875	2.0	2.0	12.70	10.300	5.3	7.75	31.8	49.8	18.05
60A1	60	0.750	19.050	2.4	2.4	15.90	11.9	5.3	8.6	38.1	58.0	20.5
80A1	80	1.000	25.400	3.0	3.0	24.0	15.9	6.6	10.25	50.8	82.6	26.15



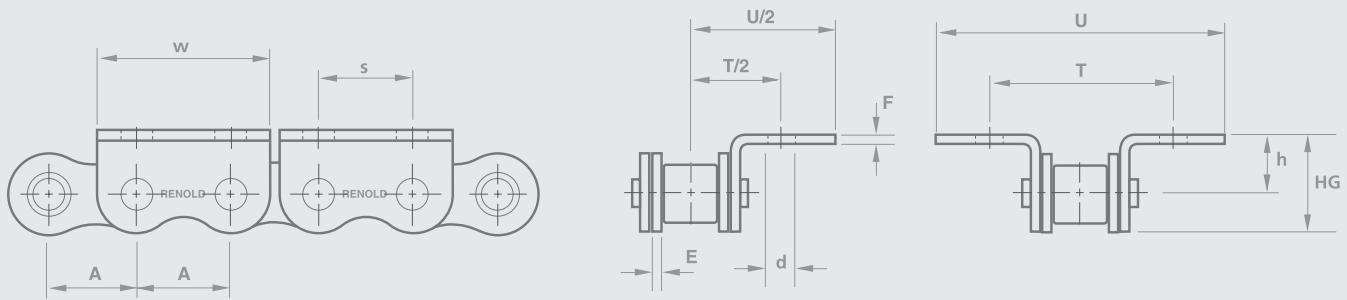
Chain Ref.		Technical Details (mm)										
Renold Chain No.	ISO Ref.	Pitch (inch)	Pitch (mm)									

ISO / ANSI Standard

		A	A	E	F	w	h	d	g	T	U	HG
40A1	40	0.500	12.700	1.5	1.5	9.5	7.9	3.6	5.5	25.4	34.5	13.4
50A1	50	0.625	15.875	2.00	2.00	12.7	10.3	5.3	7.2	31.8	46.6	18.05
60A1	60	0.750	19.050	2.40	2.40	15.9	11.9	5.3	8.6	38.7	56.6	20.5
80A1	80	1.000	25.400	3.00	3.00	19.1	15.9	6.6	10.23	50.8	82.6	26.15

K2 Attachments

ANSI B29.100 / ISO 606



Chain Ref.		Technical Details (mm)											
Renold Chain No.	ISO Ref.	Pitch (inch)	Pitch (mm)										

ISO/ANSI Standard

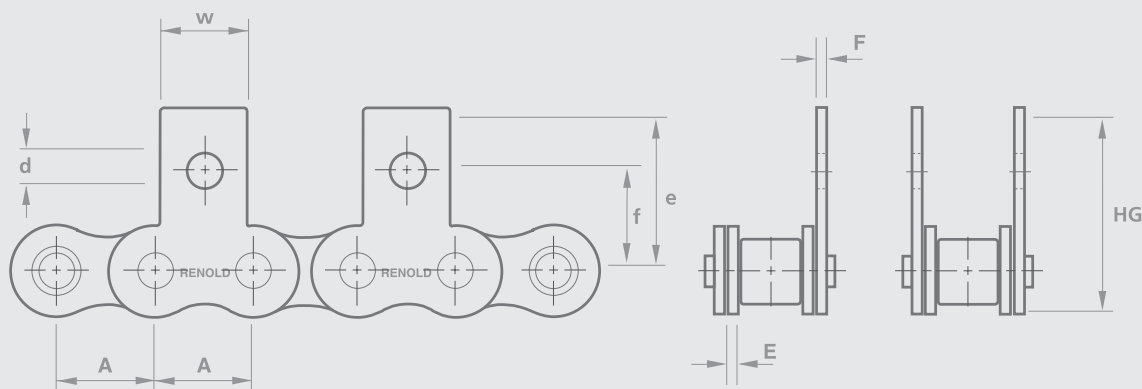
		A	A	E	F	w	h	d	g	s	T	U	HG
40A1	40	0.500	12.700	1.5	1.5	24.0	7.9	3.6	5.3	12.7	25.4	34.8	13.4
50A1	50	0.625	15.875	2.00	2.00	30.3	10.3	5.3	7.2	15.8	31.8	46.6	18.05
60A1	60	0.750	19.050	2.40	2.40	35.6	11.9	5.3	8.6	19.0	38.1	56.6	20.5
80A1	80	1.000	25.400	3.00	3.00	46.2	15.9	6.6	10.25	25.4	50.8	71.8	26.15

* Straight plate



M1 Attachments

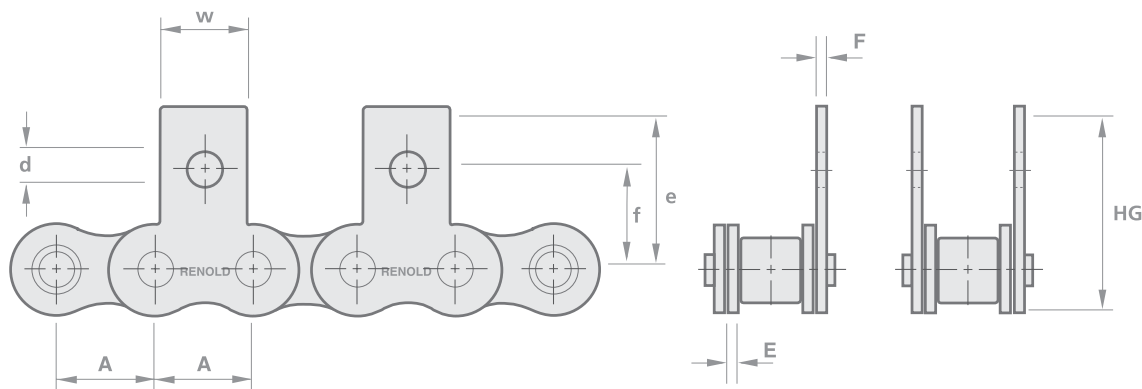
ANSI B29.100 / ISO 606



Chain Ref.		Technical Details (mm)									
Renold Chain No.	ISO Ref.	Pitch (inch)	Pitch (mm)								

ANSI Standard

		A	A	E	F	w	e	f	d	g	HG
40A1	40	0.500	12.700	1.5	1.5	9.5	17.5	12.7	3.3	5.5	24.1
50A1	50	0.625	15.875	2.0	2.0	12.7	24.6	15.9	5.3	7.15	30.1
60A1	60	0.750	19.050	2.4	2.4	15.9	27.7	18.3	5.3	8.6	35.6
80A1	80	1.000	25.400	3.0	3.0	24.0	39.7	24.6	6.6	10.25	44.6



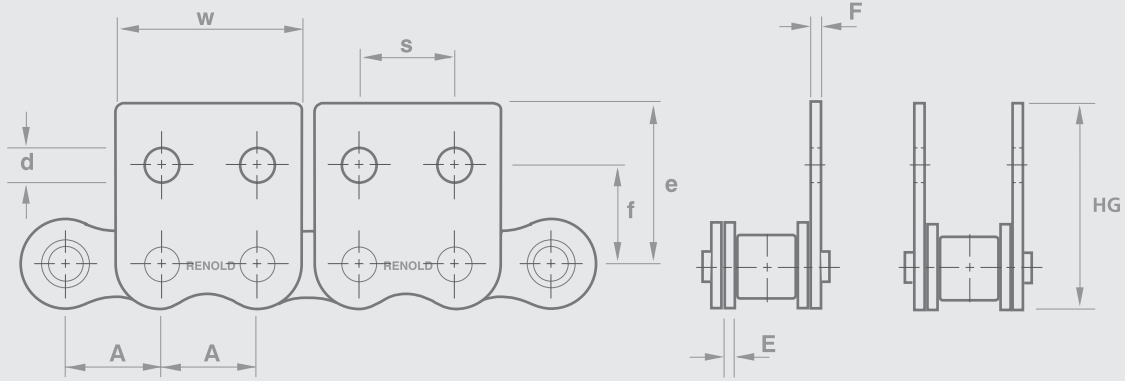
Chain Ref.		Technical Details (mm)									
Renold Chain No.	ISO Ref.	Pitch (inch)	Pitch (mm)								

ISO/ANSI Standard

		A	A	E	F	w	e	f	d	g	HG
40A1	40	0.500	12.700	1.5	1.5	9.5	18.6	12.7	3.6	5.5	24.1
50A1	50	0.625	15.875	2.00	2.00	12.7	22.9	15.9	5.3	7.2	30.1
60A1	60	0.750	19.050	2.40	2.40	15.9	27.0	18.3	5.3	8.6	35.6
80A1	80	1.000	25.400	3.00	3.00	19.1	34.3	24.6	6.6	10.25	44.6

M2 Attachments

ANSI B29.100 / ISO 606



Chain Ref.		Technical Details (mm)									
Renold Chain No.	ANSI Ref.	Pitch (inch)	Pitch (mm)								

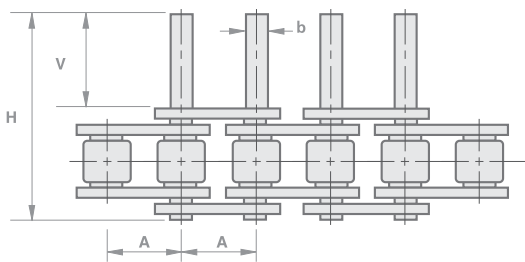
ISO/ANSI Standard

		A	A	E	F	e	f	d	g	w	s	HG
40A1	40	0.500	12.700	1.5	1.5	18.6	12.7	3.6	5.5	24.0	12.7	24.1
50A1	50	0.625	15.875	2.00	2.00	22.9	15.9	5.3	7.2	30.3	15.8	30.1
60A1	60	0.750	19.050	2.40	2.40	27.0	18.3	5.3	8.6	35.6	19.0	35.6
80A1	80	1.000	25.400	3.00	3.00	34.3	24.6	6.6	10.25	46.2	25.4	44.6

Extended Bearing Pins

ANSI B29.100 / ISO 606

Extended pin (type D)



Unit assemblies



No 463 Outer link



No 465 Connecting link-spring clip



No 467 Connecting link-split pin



No 464 Outer link



No 466 Connecting link-spring clip



No 468 Connecting link-split pin

Chain Ref.		Technical Details (mm)				
Renold Chain No.	ANSI Ref.	Pitch (inch)	Pitch (mm)	Pin Diam.	Extension Length	Pin Length
					±0.25	MAX

ANSI Standard

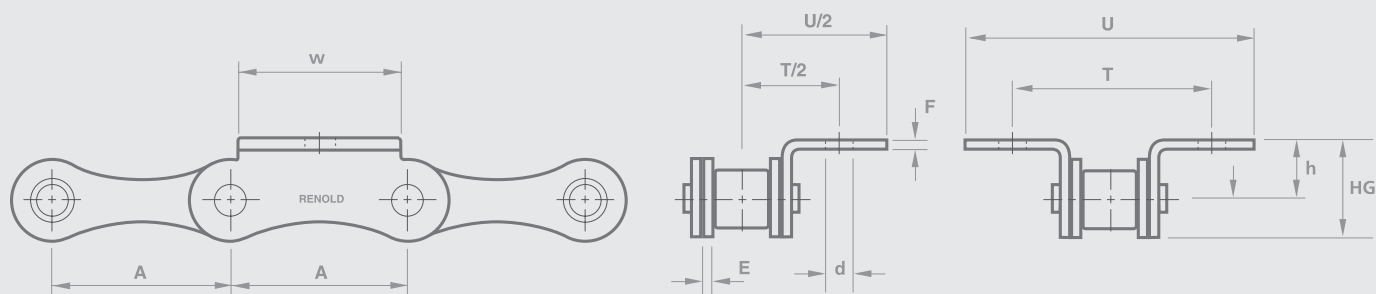
		A	A	b	v	H
35A1 [◇]	35	0.375	9.525	3.59	9.5	20.6
40A1	40	0.500	12.700	3.94	9.5	25.0
50A1	50	0.625	15.875	5.075	11.85	31.1
60A1	60	0.750	19.050	5.92	14.3	38.3
80A1	80	1.000	25.400	7.91	18.2	50.1

◇ Bush Chain



Double Pitch K1/M1 Attachments

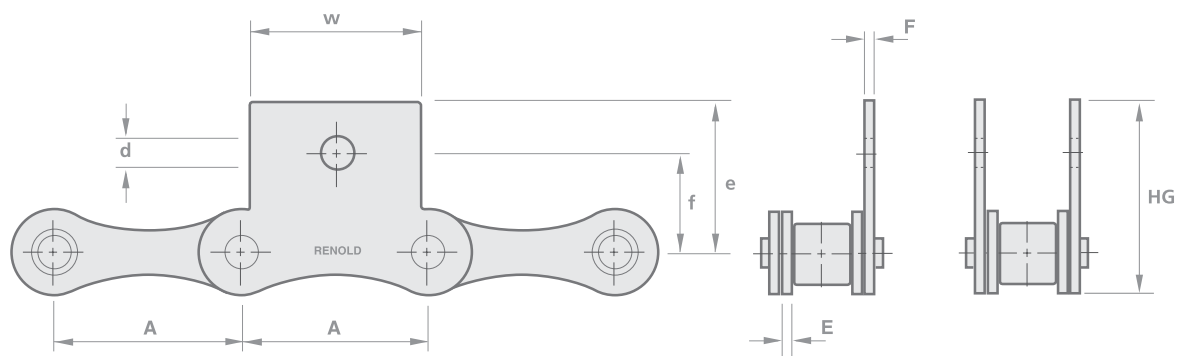
ANSI B29.100 / ISO 606



Chain Ref.		Technical Details (mm)										
Renold Chain No.	ISO Ref.	Pitch (inch)	Pitch (mm)									

ANSI Standard K1

		A	A	E	F	w	h	d	g	T	U	HG
113040	2040	1.00	25.40	1.5	1.5	19.05	9.1	3.5	5.75	25.4	38.6	14.85
113050	2050	1.25	31.75	2.00	2.00	23.8	11.1	5.3	7.4	31.8	48.3	18.5
113060	2060	1.50	38.10	2.40	2.40	28.6	14.7	5.3	8.8	43.2	58.4	23.5
113560*	C2060	1.50	38.10	2.4	2.4	28.6	14.7	5.3	8.8	43.2	58.4	23.5



Chain Ref.		Technical Details (mm)										
Renold Chain No.	ISO Ref.	Pitch (inch)	Pitch (mm)									

ANSI Standard M1

		A	A	E	F	w	e	f	d	g	HG
113040	2040	1.00	25.40	1.5	1.5	19.05	19.9	13.5	3.5	5.75	25.65
113050	2050	1.75	31.75	2.00	2.00	23.8	24.6	15.9	5.3	7.4	32.0
113060	2060	1.50	38.10	2.40	2.40	28.6	30.2	19.0	5.3	8.8	39.0
113560*	C2060	1.50	38.10	3.17	3.17	28.6	30.2	19.0	5.3	8.8	39.0

* Straight plate

Attachment Chain Connecting Links

ANSI standard



No640



No672



No540



No572



No544



No575



No642



No676



No542



No576



No545



No580



No670



No678



No570



No578



No574



No581



No463*



No467*



No563
Outerlink



No565
Connecting link- spring clip



No464*



No468*



No564
Outerlink



No566
Connecting link- spring clip

* Ansi 80

Special or Adapted Roller Chain

In addition to our ranges of standard series chain we can also offer:

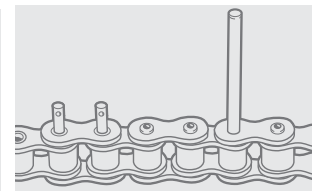
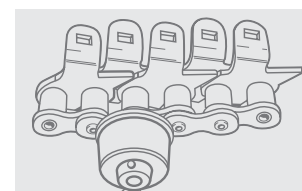
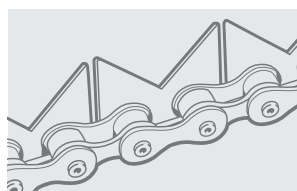
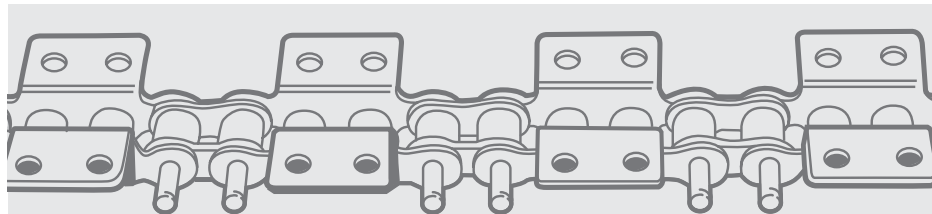
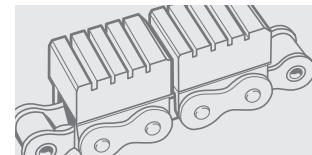
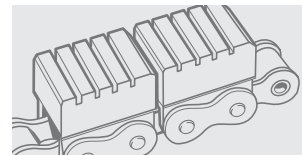
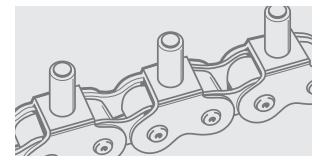
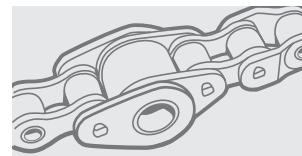
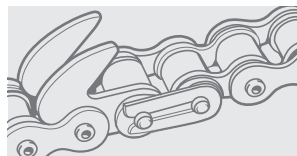
- Standard Series Chain adapted to your unique needs with special attachments
- Special Chain designed with integral attachments to meet individual requirements

Renold adapted chain can be in the form of special plates, pin rollers, or blocks which can be designed, manufactured and assembled into chain of all pitch sizes.

Attachments can be made from normal materials, stainless steel or plastics.

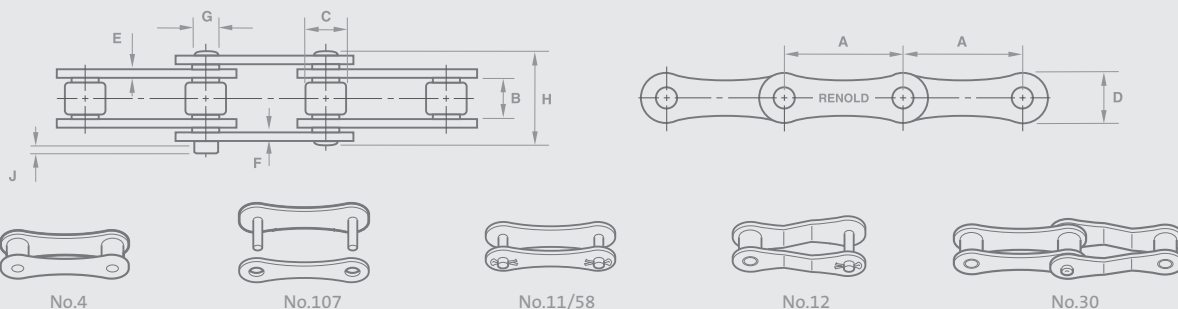
We will be pleased to receive details of your requirements and evaluate them for strength, durability, price and despatch. They can be manufactured from your own designs or adapted from existing drawings.

The illustrations show only a small selection of the wide range of variants and these chains have been used successfully in many branches of industry for the feeding, conveying and discharge of a variety of products.



Double Pitch Chain

ISO 1275 / ANSI B29.100



Chain Ref.		Technical Details (mm)												Connecting Links	
Renold Chain No.	ISO Ref.	Pitch (inch)	Pitch (mm)	Inside Width	Roller Diam.	Plate Height	Plate Width Inner	Plate Width Outer	Pin Diam.	Pin Length	Conn. Link Extension	Transverse Pitch	ISO606 Tensile Strength (NEWTONS)	Weight	
					MIN	MAX	MAX	MAX	MAX	MAX	MAX	NOM	MIN	kg/m	

ISO 1275 - Simplex

		A	A	B	C	D	E	F	G	H1	J	K			
113083*	208B	1.00	25.40	7.75	8.51	11.43	1.55	1.55	4.45	16.6	3.9	-	19000	0.53	4 107 11 30
113103*	210B	1.25	31.75	9.65	10.16	13.72	1.55	1.55	5.08	19.6	4.1	-	23000	0.66	4 107 11 30
113123*	212B	1.50	38.10	11.68	12.07	15.88	1.80	1.80	5.72	22.7	4.6	-	30500	0.90	4 107 11 30
113168	216B	2.00	50.80	17.02	15.88	20.83	4.12	3.10	8.28	36.1	5.4	-	67000	1.80	4 107 11 30
113203	220B	2.50	63.50	19.56	19.05	24.64	4.12	3.61	10.19	43.2	6.1	-	98070	2.45	4 107 11 12
113243	224B	3.00	76.20	25.40	25.40	33.53	6.10	5.08	14.63	53.4	6.6	-	166700	4.80	4 107 26 12
113323	232B	4.00	101.60	30.99	29.21	40.13	7.11	6.35	17.81	67.4	7.9	-	255000	5.95	4 107 11

ANSI Standard - Conveyor Small Roller

		A	A	B	C	D	E	F	G	H1	J	K			
C2040R*	-	1.00	25.40	7.85	7.92	11.80	1.50	1.50	3.97	17.8	3.9	-	14100	0.50	4 107 11 58 12
C2050R*	-	1.25	31.75	9.40	10.16	15.00	2.00	2.00	5.09	21.8	4.1	-	22200	0.84	4 107 11 58 12
C2060R*	-	1.50	38.10	12.57	11.91	17.80	3.17	3.17	5.95	28.6	4.6	-	38000	1.44	4 107 11 58 12
C2080R*	-	2.00	50.80	15.75	15.88	24.10	4.00	4.00	7.92	35.8	5.4	-	65000	2.42	4 107 11 58 12
C2100H*	-	2.50	63.50	19.00	19.05	28.80	4.75	4.75	9.54	42.4	4.3	-	137000	3.47	4 107 11 58 12
C2120H*	-	3.00	76.20	25.40	22.23	35.10	5.61	5.61	11.11	52.4	5.3	-	185900	4.93	4 107 11 58 12
C2160H*	-	4.00	101.60	31.50	28.58	47.90	7.30	7.30	14.29	65.6	6.7	-	305500	8.00	4 107 11 58 12

ANSI Standard - Conveyor Large Roller

		A	A	B	C	D	E	F	G	H1	J	K			
C2042R*	-	1.00	25.40	7.85	15.88	11.80	1.50	1.50	3.97	17.8	3.9	-	14100	0.82	4 107 11 58 12
C2052R*	-	1.25	31.75	9.40	19.05	15.00	2.00	2.00	5.09	21.8	4.1	-	22200	1.26	4 107 11 58 12
C2062R*	-	1.50	38.10	12.57	22.23	17.80	3.17	3.17	5.95	28.6	4.6	-	38000	2.03	4 107 11 58 12
C2082R*	-	2.00	50.80	15.75	28.58	24.10	4.00	4.00	7.92	35.8	5.4	-	65000	3.36	4 107 11 58 12
C2102H*	-	2.50	63.50	19.00	39.67	28.80	4.75	4.75	9.54	42.4	4.3	-	137000	5.65	4 107 11 58 12
C2122H*	-	3.00	76.20	25.40	44.45	35.10	5.61	5.61	11.11	54	5.3	-	185900	7.90	4 107 11 58 12
C2162H*	-	4.00	101.60	31.50	57.15	47.90	7.30	7.30	14.29	65.6	6.7	-	305500	12.80	4 107 11 58 12

ANSI Standard - Drive Chain

		A	A	B	C	D	E	F	G	H1	J	K			
A2040	-	1.00	25.40	7.85	7.92	11.80	1.50	1.50	3.97	17.8	3.9	-	14100	0.40	4 107 11 58 12
A2050	-	1.25	31.75	9.40	10.16	15.00	2.00	2.00	5.09	21.8	4.1	-	22200	0.70	4 107 11 58 12
A2060	-	1.50	38.10	12.57	11.91	17.80	2.40	2.40	5.95	26.9	4.6	-	31800	1.05	4 107 11 58 12
A2080	-	2.00	50.80	15.75	15.88	24.10	3.00	3.00	7.92	33.5	5.4	-	56700	1.76	4 107 11 58 12

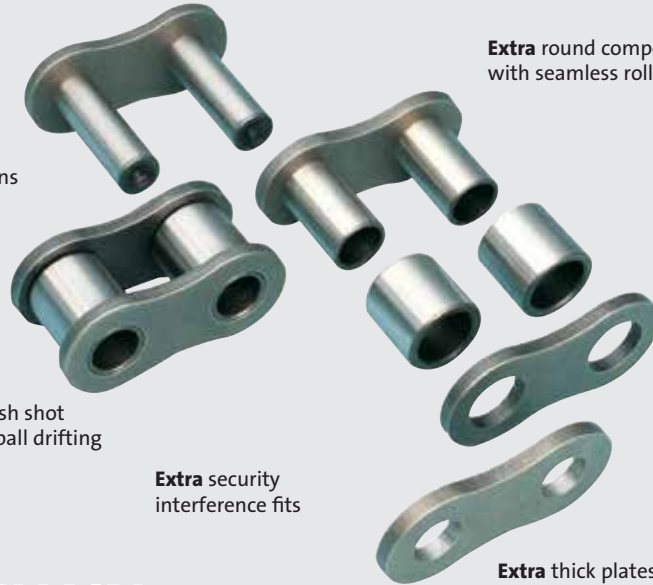
* Straight side plate

Renold ANSI Heavy Series Chain

RENOLD HEAVY SERIES

Extra shock resistant pins


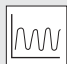

Extra round components with seamless roller/bush



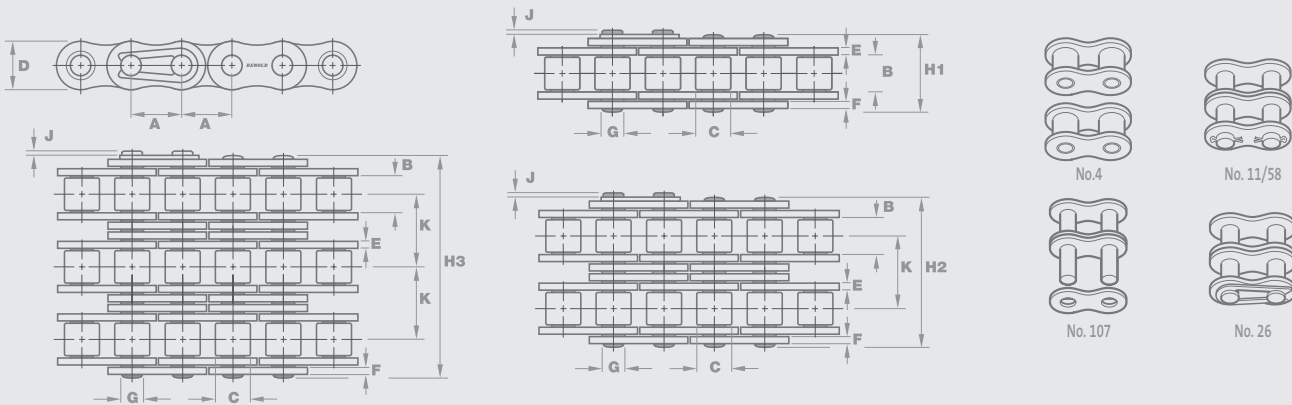
Extra finish shot peening ball drifting

Extra security interference fits

Extra thick plates resists heavy loads

-  Shock resistant
-  Fatigue resistant
-  High loads

...THE HEAVY DUTY CHAIN



Product description

RENOLD HEAVY SERIES chain incorporates the usual Renold performance enhancing features including seamless bushes, ball drifted plate holes, shot peening and optimum interference fits. The extra features incorporated into this range of chain is classified by:

- Thicker side plates denoted by 'H'. These plates are approximately 20% thicker than standard ANSI chain
- Through hardened pins, denoted by 'V'

The gearing dimensions of ANSI XTRA chain are identical to our standard ANSI simplex range and will therefore run on standard

sprockets. The larger transverse pitch of duplex and triplex chains with heavy duty side plates (H or HV range) require special sprockets.

The range can therefore be summarised as follows:

H Range - Identical to standard ANSI chain with the exception of the overall width. Thicker plates give this chain excellent resistance to heavy loads and help absorb shock. Duplex and triplex chain must have sprockets with an increased transverse pitch of the teeth.

V Range - Identical dimensions to standard ANSI chain but with a higher breaking load

and excellent resistance to shock loads.

HV Range - A combination of the 'H' and 'V' chain, giving excellent resistance to both heavy and shock loads.

A further enhancement to the chain life can be achieved by hardening the sprocket teeth of the drive. 'H' and 'HV' chains are designed for improved fatigue life, therefore offset and slip fit joints which have a lower fatigue resistance are not recommended.

Shown below is an easy to use features guide to help in selecting chain to suit its application.

Chain Type	Strength	Wear	Heavy Loads	Shock Loads	High Speeds
Standard ANSI	Good	Excellent	Good	Good	Excellent
HEAVY H Range	Good	Excellent	Excellent	Good	Not Suitable
HEAVY V Range	Excellent	Good	Good	Excellent	Good
HEAVY HV Range	Excellent	Good	Excellent	Excellent	Not Suitable

ANSI HEAVY SERIES roller chain is specifically designed and manufactured for arduous applications where frequent, impulsive or heavy loads are involved, or where

operating conditions are severe as in the mining, quarrying, rock drilling, forestry and construction industries. This chain is interchangeable with our standard ANSI range

and can be used to upgrade the performance of existing applications subject to normal design and installation checks.

Multiplex versions are also available on request.

Chain Ref.		Technical Details (mm)													Connecting Links	
Renold Chain No.	ANSI Ref.	Pitch (inch)	Pitch (mm)	Inside Width	Roller Diam.	Plate Height	Plate Width Inner	Plate Width Outer	Pin Diam.	Pin Length	Conn. Link Extension	Transverse Pitch	ISO606 Tensile Strength (NEWTONS)	Weight kg/m		
						MIN	MAX	MAX	MAX	MAX	MAX	MAX	NOM			MIN

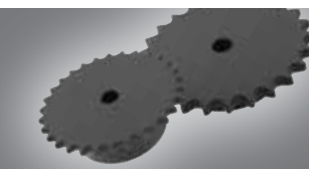
ANSI HEAVY SERIES - Simplex and Multiplex

		A	A	B	C	D	E	F	G	H1	J	K			
60H1	60H-1	0.750	19.050	12.570	11.910	17.500	3.170	3.170	5.940	28.600	4.600	-	31300	1.800	4 107 58
60H2	60H-2	0.750	19.050	12.570	11.910	17.500	3.170	3.170	5.940	57.000	4.600	26.110	62600	3.600	4 107 58
60H3	60H-3	0.750	19.050	12.570	11.910	17.500	3.170	3.170	5.940	83.100	4.600	26.110	93900	5.400	4 107 58
60HV1	60HV-1	0.750	19.050	12.570	11.910	17.500	3.170	3.170	5.940	28.600	4.600	-	55000	1.800	4 107 58
60HV2	60HV-2	0.750	19.050	12.570	11.910	17.500	3.170	3.170	5.940	57.000	4.600	26.110	110000	3.550	4 107 58
60HV3	60HV-3	0.750	19.050	12.570	11.910	17.500	3.170	3.170	5.940	83.100	4.600	26.110	165000	5.300	4 107 58
80H1	80H-1	1.000	25.400	15.750	15.880	24.050	4.060	4.060	7.940	37.000	5.400	-	55600	3.300	4 107 58
80H2	80H-2	1.000	25.400	15.750	15.880	24.050	4.060	4.060	7.940	68.700	5.400	32.590	112200	6.600	4 107 58
80H3	80H-3	1.000	25.400	15.750	15.880	24.050	4.060	4.060	7.940	101.300	5.400	32.590	166800	9.900	4 107 58
80V1	80V-1	1.000	25.400	15.750	15.880	24.050	3.250	3.250	7.940	33.500	5.400	-	75000	2.800	4 107 11 58
80V2	80V-2	1.000	25.400	15.750	15.880	24.050	3.250	3.250	7.940	62.700	5.400	29.290	150000	5.500	4 107 11 58
80V3	80V-3	1.000	25.400	15.750	15.880	24.050	3.250	3.250	7.940	91.900	5.400	29.290	225000	8.300	4 107 11 58
80HV1	80HV-1	1.000	25.400	15.750	15.880	24.050	4.060	4.060	7.940	37.000	5.400	-	87000	3.300	4 107 58
80HV2	80HV-2	1.000	25.400	15.750	15.880	24.050	4.060	4.060	7.940	69.000	5.400	32.590	174000	6.600	4 107 58
80HV3	80HV-3	1.000	25.400	15.750	15.880	24.050	4.060	4.060	7.940	102.000	5.400	32.590	261000	9.900	4 107 58
100H1	100H-1	1.250	31.750	18.900	19.050	29.970	4.800	4.800	9.540	44.100	6.100	-	87000	4.800	4 107 58
100H2	100H-2	1.250	31.750	18.900	19.050	29.970	4.800	4.800	9.540	83.200	6.100	39.090	174000	10.300	4 107 58
100H3	100H-3	1.250	31.750	18.900	19.050	29.970	4.800	4.800	9.540	122.300	6.100	39.090	261000	15.500	4 107 11 58
100V1	100V-1	1.250	31.750	18.900	19.050	29.970	4.060	4.060	9.540	41.100	6.100	-	122000	4.200	4 107 11 58
100HV1	100HV-1	1.250	31.750	18.900	19.050	29.970	4.800	4.800	9.540	44.100	6.100	-	133450	4.800	4 107 58
100HV2	100HV-2	1.250	31.750	18.900	19.050	29.970	4.800	4.800	9.540	83.200	6.100	39.090	266900	10.300	4 107 58
100HV3	100HV-3	1.250	31.750	18.900	19.050	29.970	4.800	4.800	9.540	122.300	6.100	39.090	400350	15.450	4 107 58
120H1	120H-1	1.500	38.100	25.230	22.230	35.890	5.610	5.610	11.110	52.5300	6.600	-	125000	6.300	4 107 58
120H2	120H-2	1.500	38.100	25.230	22.230	35.890	5.610	5.610	11.110	105.000	6.600	48.870	250000	12.600	4 107 58
120H3	120H-3	1.500	38.100	25.230	22.230	35.890	5.610	5.610	11.110	158.000	6.600	48.870	375000	18.800	4 107 58
120V1	120V-1	1.500	38.100	25.230	22.230	35.890	4.800	4.800	11.110	50.800	6.600	-	169000	5.700	4 107 11 58
120V2	120V-2	1.500	38.100	25.230	22.230	35.890	4.800	4.800	11.110	96.300	6.600	45.440	338000	11.000	4 107 11 58
120V3	120V-3	1.500	38.100	25.230	22.230	35.890	4.800	4.800	11.110	141.700	6.600	45.440	507000	16.700	4 107 11 58
120HV1	120HV-1	1.500	38.100	25.230	22.230	35.890	5.610	5.610	11.110	52.500	6.600	-	182400	6.300	4 107 58
120HV2	120HV-2	1.500	38.100	25.230	22.230	35.890	5.610	5.610	11.110	52.500	6.600	48.870	364800	6.300	4 107 58
120HV3	120HV-3	1.500	38.100	25.230	22.230	35.890	5.610	5.610	11.110	158.000	6.600	48.870	400350	18.800	4 107 58
140H1	140H-1	1.750	44.450	25.230	25.400	41.810	6.350	6.350	12.710	57.900	7.400	-	170000	8.600	4 107 58
140H2	140H-2	1.750	44.450	25.230	25.400	41.810	6.350	6.350	12.710	106.900	7.400	52.200	340000	16.700	4 107 58
140H3	140H-3	1.750	44.450	25.230	25.400	41.810	6.350	6.350	12.710	160.400	7.400	52.200	510000	25.100	4 107 58
140V1	140V-1	1.750	44.450	25.230	25.400	41.810	5.610	5.610	12.710	54.900	7.400	-	235000	7.800	4 107 11 58
140V2	140V-2	1.750	44.450	25.230	25.400	41.810	5.610	5.610	12.710	103.600	7.400	48.870	470000	15.500	4 107 11 58
140V3	140V-3	1.750	44.450	25.230	25.400	41.810	5.610	5.610	12.710	152.400	7.400	48.870	705000	23.100	4 107 11 58
140HV1	140HV-1	1.750	44.450	25.230	25.400	41.810	6.350	6.350	12.710	57.900	7.400	-	258000	8.600	4 107 58
140HV2	140HV-2	1.750	44.450	25.230	25.400	41.810	6.350	6.350	12.710	106.900	7.400	52.200	516000	16.740	4 107 58
140HV3	140HV-3	1.750	44.450	25.230	25.400	41.810	6.350	6.350	12.710	160.400	7.400	52.200	774000	25.100	4 107 58

For the use of roller or bush chains in lifting applications, it is necessary to specify this in the order to ensure the specific CE mark will be given.

For further information:
 t: +44 (0) 161 498 4600
 f: +44 (0) 161 498 4565
 e: enquiry@renold.com
 w: www.renold.com

Also available from Renold



Sprockets Page 68
For roller chain use



Roll-Ring Page 65
Chain tensioner

Renold ANSI Heavy Series Chain



ANSI HEAVY SERIES - Simplex and Multiplex

		A	A	B	C	D	E	F	G	H1	J	K				
160H1	160H-1	2.000	50.800	31.550	28.580	47.730	7.110	7.110	14.290	68.500	7.900	-	223000	11.200	4	107 58
160H2	160H-2	2.000	50.800	31.550	28.580	47.730	7.110	7.110	14.290	130.400	7.900	61.900	446000	23.500	4	107 58
160H3	160H-3	2.000	50.800	31.550	28.580	47.730	6.350	6.350	14.290	182.900	7.900	61.900	669000	35.200	4	107 58
160V1	160V-1	2.000	50.800	31.550	28.580	47.730	6.350	6.350	14.290	65.500	7.900	-	289000	10.400	4	107 11 58
160HV1	160HV-1	2.000	50.800	31.550	28.580	47.730	7.110	7.110	14.290	68.500	7.900	-	311400	11.200	4	107 58
160HV2	160HV-2	2.000	50.800	31.550	28.580	47.730	7.110	7.110	14.290	130.400	7.900	61.900	622800	23.500	4	107 58
160HV3	160HV-3	2.000	50.800	31.550	28.580	47.730	6.350	6.350	14.290	182.900	7.900	61.900	934250	35.200	4	107 58
180H1	180H-1	2.250	57.150	35.480	35.710	53.510	8.130	8.130	17.460	73.900	9.100	-	281000	15.200	4	107 58
180H2	180H-2	2.250	57.150	35.480	35.710	53.510	8.130	8.130	17.460	140.800	9.100	65.840	562000	30.400	4	107 58
180H3	180H-3	2.250	57.150	35.480	35.710	53.510	8.130	8.130	17.460	206.000	9.100	65.840	843000	45.600	4	107 58
180V1	180V-1	2.250	57.150	35.480	35.710	53.510	7.110	7.110	17.460	73.900	9.100	-	382500	13.940	4	107 11 58
180HV1	180HV-1	2.250	57.150	35.480	35.710	53.510	8.130	8.130	17.460	73.900	9.100	-	422500	15.200	4	107 58
180HV2	180HV-2	2.250	57.150	35.480	35.710	53.510	8.130	8.130	17.460	140.800	9.100	65.840	845000	30.400	4	107 58
180HV3	180HV-3	2.250	57.150	35.480	35.710	53.510	8.130	8.130	17.460	206.000	9.100	65.840	1267500	45.600	4	107 58
200H1	200H-1	2.500	63.500	37.850	39.670	59.560	9.650	9.650	19.850	86.400	10.200	-	347000	19.500	4	107 58
200H2	200H-2	2.500	63.500	37.850	39.670	59.560	9.650	9.650	19.850	164.700	10.200	78.310	694000	39.000	4	107 58
200H3	200H-3	2.500	63.500	37.850	39.670	59.560	9.650	9.650	19.850	243.000	10.200	78.310	1041000	57.700	4	107 58
200V1	200V-1	2.500	63.500	37.850	39.670	59.560	8.130	8.130	19.850	80.300	10.200	-	445000	17.300	4	107 11 58
200HV1	200HV-1	2.500	63.500	37.850	39.670	59.560	9.650	9.650	19.850	86.400	10.200	-	600500	19.500	4	107 58
200HV2	200HV-2	2.500	63.500	37.850	39.670	59.560	9.650	9.650	19.850	164.700	10.200	78.310	1201000	39.000	4	107 58
200HV3	200HV-3	2.500	63.500	37.850	39.670	59.560	9.650	9.650	19.850	243.000	10.200	78.310	1801500	57.700	4	107 58
240H1	240H-1	3.000	76.200	47.350	47.630	71.300	13.200	13.200	23.800	106.900	10.500	-	500000	30.500	4	107 58
240H2	240H-2	3.000	76.200	47.350	47.630	71.300	13.200	13.200	23.800	208.000	10.500	101.22	1000000	61.000	4	107 58
240H3	240H-3	3.000	76.200	47.350	47.630	71.300	13.200	13.200	23.800	309.200	10.500	101.22	1500000	91.500	4	107 58
240HV1	240HV-1	3.000	76.200	47.350	47.630	71.300	13.200	13.200	23.800	106.900	10.500	-	845160	30.500	4	107 58
240HV2	240HV-2	3.000	76.200	47.350	47.630	71.300	13.200	13.200	23.800	208.000	10.500	101.22	1690320	61.000	4	107 58
240HV3	240HV-3	3.000	76.200	47.350	47.630	71.300	13.200	13.200	23.800	312.000	10.500	101.22	2535480	91.500	4	107 58

NB: Both Split and roll pin options are available on all sizes, although we would recommend roll pin on quadruplex and above.

For the use of roller or bush chains in lifting applications, it is necessary to specify this in the order to ensure the specific CE mark will be given.

Before specifying / using crank links or other connecting links please consult Renold.

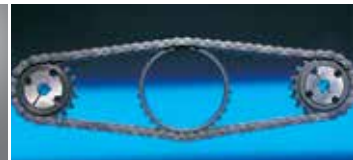
For further information:

t: +44 (0) 161 498 4600
 f: +44 (0) 161 498 4565
 e: enquiry@renold.com
 w: www.renold.com

Also available
from Renold



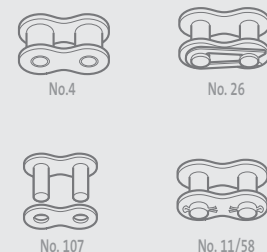
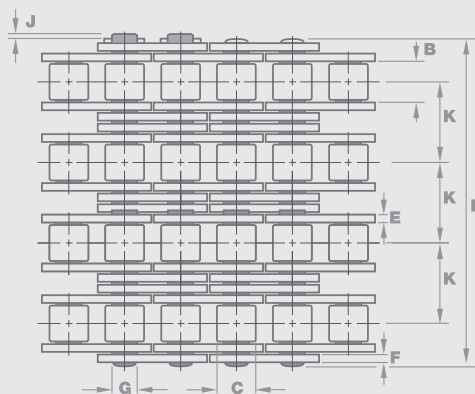
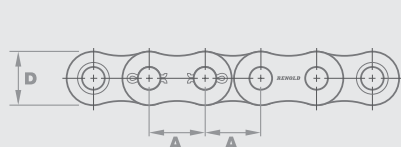
Sprockets Page 68
For roller chain use



Roll-Ring Page 65
Chain tensioner

Renold Multiplex

ANSI Standard



Chain Ref.		Technical Details (mm)													Connecting Links	
Renold Chain No.	ANSI Ref.	Pitch (inch)	Pitch (mm)	Inside Width	Roller Diam.	Plate Height	Plate Width Inner	Plate Width Outer	Pin Diam.	Pin Length	Conn. Link Extension	Transverse Pitch	ISO606 Tensile Strength (NEWTONS)	Weight		
					MIN	MAX	MAX	MAX	MAX	MAX	MAX	NOM	MIN	kg/m		

ANSI Standard - Multiplex

		A	A	B	C	D	E	F	G	H1	J	K			
40A4	08A-4	40-4	0.500	12.700	7.85	7.92	11.15	1.55	1.55	3.98	59.7	3.9	14.38	67600	4 107 11 58 26
50A4	10A-4	50-4	0.625	15.875	9.40	10.16	14.55	2.03	2.03	5.07	75.2	4.1	18.11	111200	4 107 11 58
50A5	10A-5	50-5	0.625	15.875	9.40	10.16	14.55	2.03	2.03	5.07	93.3	4.1	18.11	139000	4 107 11 58
50A6	10A-6	50-6	0.625	15.875	9.40	10.16	14.55	2.03	2.03	5.07	111.3	4.1	18.11	166800	4 107 11 58
60A4	12A-4	60-4	0.750	19.050	12.57	11.91	17.45	2.39	2.39	5.96	94.3	4.6	22.78	151250	4 107 11 58
60A5	12A-5	60-5	0.750	19.050	12.57	11.91	17.45	2.39	2.39	5.96	116.9	4.6	22.78	190000	4 107 11 58
60A6	12A-6	60-6	0.750	19.050	12.57	11.91	17.45	2.39	2.39	5.96	139.7	4.6	22.78	226800	4 107 11 58
80A4	16A-4	80-4	1.000	25.400	15.38	15.75	24.05	3.25	3.25	7.93	120.7	5.4	29.29	258000	4 107 11 58
80A5	16A-5	80-5	1.000	25.400	15.38	15.75	24.05	3.25	3.25	7.93	149.9	5.4	29.29	322500	4 107 11 58
80A6	16A-6	80-6	1.000	25.400	15.38	15.75	24.05	3.25	3.25	7.93	179.4	5.4	29.29	387000	4 107 11 58
80A8	16A-8	80-8	1.000	25.400	15.38	15.75	24.05	3.25	3.25	7.93	237.8	5.4	29.29	516000	4 107 11 58
100A4	20A-4	100-4	1.250	31.750	19.05	19.05	29.97	4.06	4.06	9.54	147.1	6.1	35.76	418150	4 107 11 58
100A5	20A-5	100-5	1.250	31.750	19.05	19.05	29.97	4.06	4.06	9.54	182.9	6.1	35.76	522600	4 107 11 58
100A6	20A-6	100-6	1.250	31.750	19.05	19.05	29.97	4.06	4.06	9.54	218.7	6.1	35.76	627200	4 107 11 58
120A4	24A-4	120-4	1.500	38.100	25.68	22.23	35.89	4.80	4.80	11.11	185.7	6.6	45.44	570000	4 107 11 58
120A5	24A-5	120-5	1.500	38.100	25.68	22.23	35.89	4.80	4.80	11.11	231.2	6.6	45.44	711700	4 107 11 58
120A6	24A-6	120-6	1.500	38.100	25.68	22.23	35.89	4.80	4.80	11.11	276.6	6.6	45.44	854000	4 107 11 58
120A8	24A-8	120-8	1.500	38.100	25.68	22.23	35.89	4.80	4.80	11.11	367.6	6.6	45.44	1138000	4 107 11 58
140A4	28A-4	140-4	1.750	44.450	25.73	25.40	41.81	5.61	5.61	12.64	199.7	7.4	48.87	765000	4 107 11 58
140A5	28A-5	140-5	1.750	44.450	25.73	25.40	41.81	5.61	5.61	12.64	248.4	7.4	48.87	956400	4 107 11 58
140A6	28A-6	140-6	1.750	44.450	25.73	25.40	41.81	5.61	5.61	12.64	297.5	7.4	48.87	1147680	4 107 11 58
160A4	32A-4	160-4	2.000	50.800	32.13	28.58	47.73	6.35	6.35	14.29	238.8	7.9	58.55	978600	4 107 11 58
200A4	40A-4	200-4	2.500	63.500	38.15	39.67	59.56	8.13	8.13	19.81	291.6	10.2	71.55	1690000	4 107 11 58

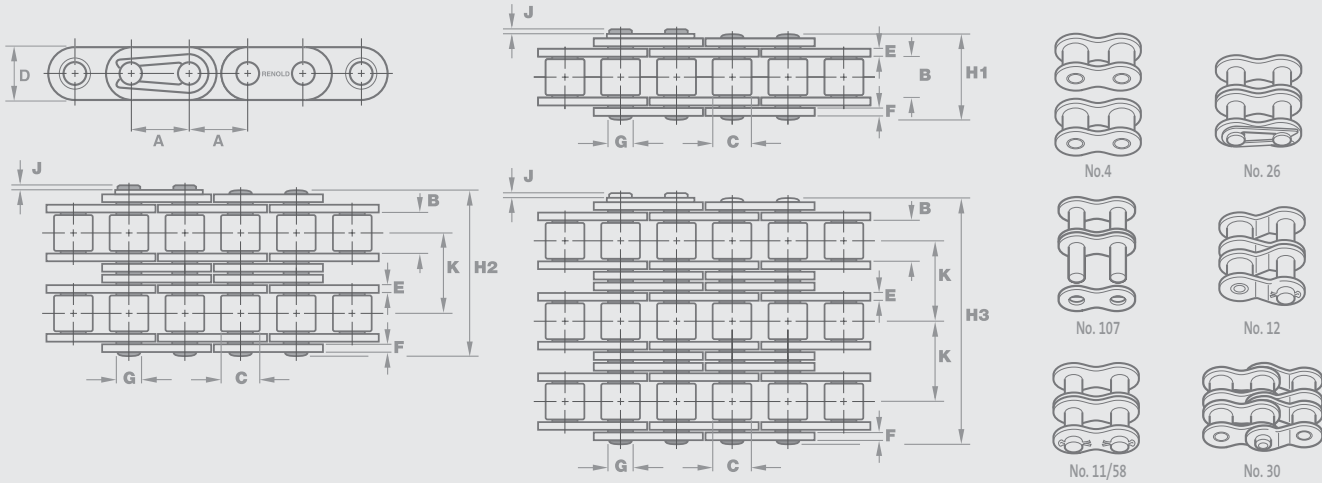
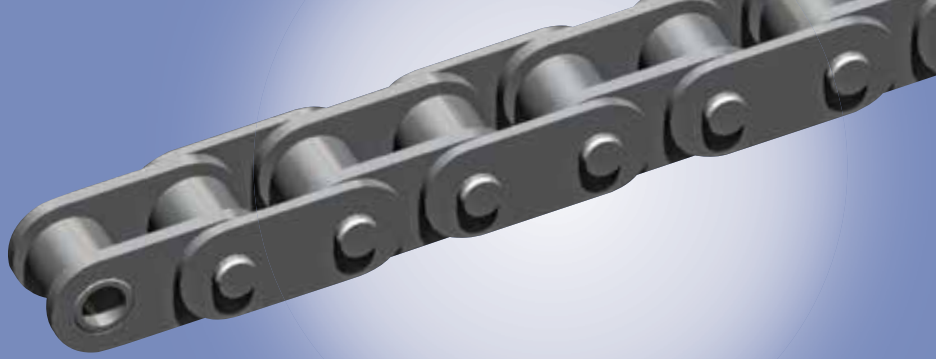
Connecting links

For the use of roller or bush chains in lifting applications, it is necessary to specify this in the order to ensure the specific CE mark will be given.

Note: No.12 Crank links - please consult Renold.

Straight Side Plate

ISO 606



Chain Ref.		Technical Details (mm)													Connecting Links	
Renold Chain No.	ISO Ref.	Pitch (inch)	Pitch (mm)	Inside Width	Roller Diam.	Plate Height	Plate Width Inner	Plate Width Outer	Pin Diam.	Pin Length	Conn. Link Extension	Transverse Pitch	ISO606 Tensile Strength (NEWTONS)	Weight kg/m		
					MIN	MAX	MAX	MAX	MAX	MAX	MAX	NOM	MIN			

Simplex

		A	A	B	C	D	E	F	G	H1	J	K			
08B1GF	08B-1	0.500	12.70	7.75	8.51	11.81	1.55	1.55	4.45	17.0	3.9	-	17800	0.70	4 107 11 26 58 12 30
10B1GF	10B-1	0.625	15.88	9.65	10.16	14.70	1.55	1.55	5.08	19.6	4.1	-	22200	0.92	4 107 11 26 58 12 30
12B1GF	12B-1	0.750	19.05	11.68	12.07	15.93	1.80	1.80	5.72	22.7	4.6	-	28900	1.20	4 107 11 26 58 12
16B1GF	16B-1	1.000	25.40	17.02	15.88	20.2	4.12	3.10	8.28	36.1	5.4	-	60000	3.45	4 107 26
20B1GF	20B-1	1.250	31.750	19.56	19.05	26.42	4.62	3.61	10.19	39.8	2.7	-	95000	3.85	4 107 26 12
24B1GF	24B-1	1.500	38.10	25.40	25.40	35.75	6.10	5.08	14.63	53.4	6.6	-	160000	7.45	4 107 26
28B1GF	28B-1	1.750	44.45	30.99	27.94	41.68	7.62	6.35	15.90	65.1	7.4	-	200000	9.35	4 107 26
32B1GF	32B-1	2.000	50.80	30.99	29.21	47.60	7.11	6.35	17.81	67.4	7.9	-	250000	10.10	4 107 26

Duplex

		A	A	B	C	D	E	F	G	H1	J	K			
08B2GF	08B-2	0.500	12.70	7.75	8.51	11.81	1.55	1.55	4.45	31.0	3.9	13.92	31000	1.38	4 107 11 26 58 12 30
10B2GF	10B-2	0.625	15.88	9.65	10.16	14.70	1.55	1.55	5.08	36.2	4.1	16.59	44500	1.80	4 107 11 26 58 12 30
12B2GF	12B-2	0.750	19.05	11.68	12.07	15.93	1.80	1.80	5.72	42.2	4.6	19.46	57800	2.40	4 107 11 26 58 12 30
16B2GF	16B-2	1.000	25.40	17.02	15.88	20.2	4.12	3.10	8.28	68.0	5.4	31.88	106000	5.50	4 107 26
20B2GF	20B-2	1.250	31.750	19.56	19.05	26.42	4.62	3.61	10.19	76.7	2.7	36.45	170000	7.80	4 107 26 12
24B2GF	24B-2	1.500	38.10	25.40	25.40	35.75	6.10	5.08	14.63	101.8	6.6	48.36	280000	14.80	4 107 26

For further information:

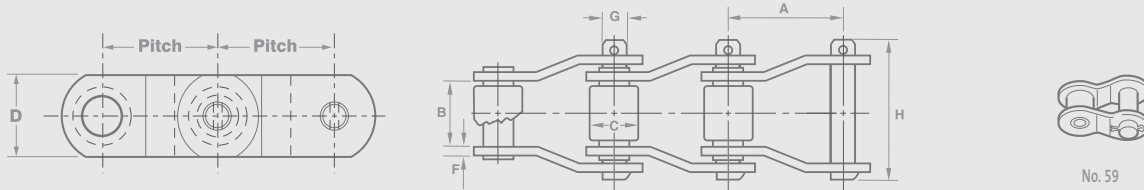
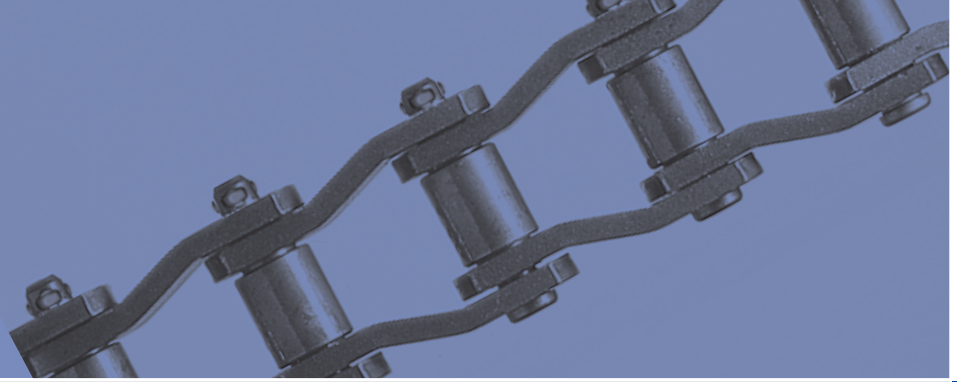
t: +44 (0) 161 498 4600
 f: +44 (0) 161 498 4565
 e: enquiry@renold.com
 w: www.renold.com

Also available from Renold



Cranked Link Chain

European (BS) Standard



Chain Ref.		Technical Details (mm)										Connecting Links
Renold Chain No.	API No.	Pitch (inch)	Pitch (mm)	Inside Width	Roller Diam.	Plate Height	Plate Width	Pin Diam.	Pin Length	Tensile Strength (NEWTONS)	Weight kg/m	
				MIN	MAX	MAX	MAX	MAX	MAX	MIN		

Cranked Link Chain

		A	A	B	C	D	F	G	H			
181046	-	3.067	77.900	39.850	41.400	46.630	10.920	18.550	104.390	409000	18.300	59
187050	API3	3.075	78.100	38.280	31.800	40.160	9.780	16.540	96.770	320285	12.500	59
184051	API4	4.063	103.200	49.380	44.500	58.290	12.950	22.340	127.510	667260	23.900	59
180847	-	5.000	127.000	70.030	63.500	88.900	16.130	31.760	161.290	1380000	52.000	59

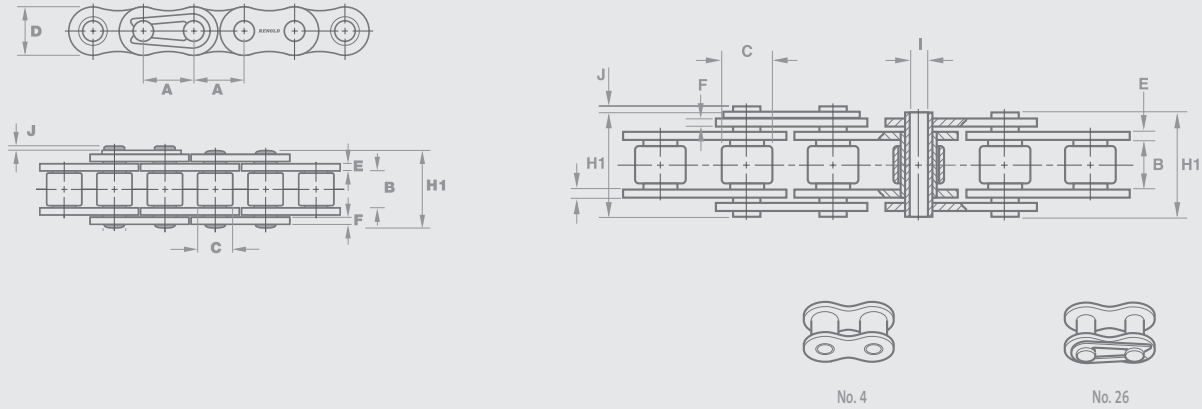
Chain Ref.		Technical Details (mm)									
Renold Chain No.	Pitch (inch)	Pitch (mm)	Inside Width	Roller Diam.	Plate Height	Plate Width	Pin Diam.	Pin Length	Tensile Strength (NEWTONS)	Weight kg/m	
			MIN	MAX	MAX	MAX	MAX	MAX	MIN		

Cranked Link Chain

	A	A	B	C	D	F	G	H		
IS2065R	2.00	50.80	31.75	28.58	7.94	39.24	15.06	73.82	302,491	11.31
JS882	2.07	52.55	28.58	22.23	6.35	28.58	11.11	62.71	115,658	5.36
JS1031	3.08	78.11	38.10	31.75	7.94	38.10	15.88	83.34	213,523	10.86
JS3075	3.08	78.11	38.10	31.75	9.53	42.86	16.43	89.69	324,733	13.39
JS3011	3.07	77.90	39.70	41.28	9.53	57.15	19.05	89.69	502,669	19.49
IS3514J	3.50	88.90	38.10	44.45	12.70	57.15	22.25	102.39	622,776	25.74
JS4014	4.06	103.20	49.23	44.45	12.70	57.15	22.25	111.92	622,776	22.91
JS4106	4.06	103.20	49.28	44.45	12.70	57.15	22.25	111.92	311,388	23.21
JS1245A	4.07	103.45	49.28	45.24	14.29	60.33	23.80	121.44	756,228	27.82
IS4121	4.09	103.89	49.28	47.63	14.29	69.85	25.35	118.27	965,302	35.71
IS4522	4.50	114.30	52.40	57.15	14.29	76.20	27.91	125.41	978,648	37.20
JS5031	5.00	127.00	69.85	63.50	15.88	88.90	31.75	146.84	1,245,552	53.56
1605AAA	5.00	127.00	65.10	63.50	19.05	88.90	34.93	161.93	1,556,940	64.72
JS6042R	6.00	152.40	76.20	76.20	19.05	101.60	38.10	174.63	1,868,327	69.03

Hollow Pin Chain

European (BS) Standard / ANSI Standard



Chain Ref.		Technical Details (mm)													Connecting Links	
Renold Chain No.	ISO Ref.	Pitch (inch)	Pitch (mm)	Inside Width	Roller Diam.	Plate Height	Plate Width Inner	Plate Width Outer	Pin Diam.	Pin Length	Conn. Link Extension	Transverse Pitch	ISO606 Tensile Strength (NEWTONS)	Weight kg/m		
					MIN	MAX	MAX	MAX	MAX	MAX	MAX	NOM	MIN			

European (BS) Standard - Simplex Hollow Pin Chain

		A	A	B	C	D	E	F	G	H1	J	K				
08B1HP	-	0.500	12.70	7.75	8.51	12.1	1.51	1.51	4.50	16.5	1.1	-	12000	0.66	4	26
AR16B1NAHP	-	1.000	25.40	12.70	15.88	23.0	3.00	3.00	7.05	30.8	1.3	-	40000	2.20	4	26
1000947	-	1.968	50.00	10.00	30.00	27.5	3.00	3.00	8.20	26.0	4.0	-	60000	2.20	4	26
1000884	-	2.000	50.80	10.00	30.00	25.5	3.00	3.00	8.20	26.0	4.0	-	60000	2.10	4	26
1000948	-	3.937	100.00	10.00	30.00	25.5	3.00	3.00	8.20	26.0	4.0	-	60000	1.50	4	26

European (BS) Standard - Simplex Stainless Steel Chain

		A	A	B	C	D	E	F	G	H1	J	K				
08B1SSHP	-	0.500	12.70	7.75	8.51	12.5	1.51	1.51	4.58	16.5	1.1	-	10500	0.61	4	26

ANSI Standard - Simplex Hollow Pin Chain

		A	A	B	C	D	E	F	G	H1	J	K				
50A1HP	-	0.625	15.88	9.40	10.16	15.1	2.00	2.00	5.10	20.4	1.0	-	18000	1.05	4	26
60A1HP	-	0.750	19.05	12.70	11.91	17.5	2.40	2.40	6.00	25.3	1.3	-	28500	1.39	4	26
80A1HP	-	1.000	25.40	15.88	15.88	25.0	2.70	3.70	9.50	34.0	5.1	-	60000	2.20	4	26

For further information:

t: +44 (0) 161 498 4600
 f: +44 (0) 161 498 4565
 e: enquiry@renold.com
 w: www.renold.com

Also available from Renold



Sprockets Page 68
For roller chain use



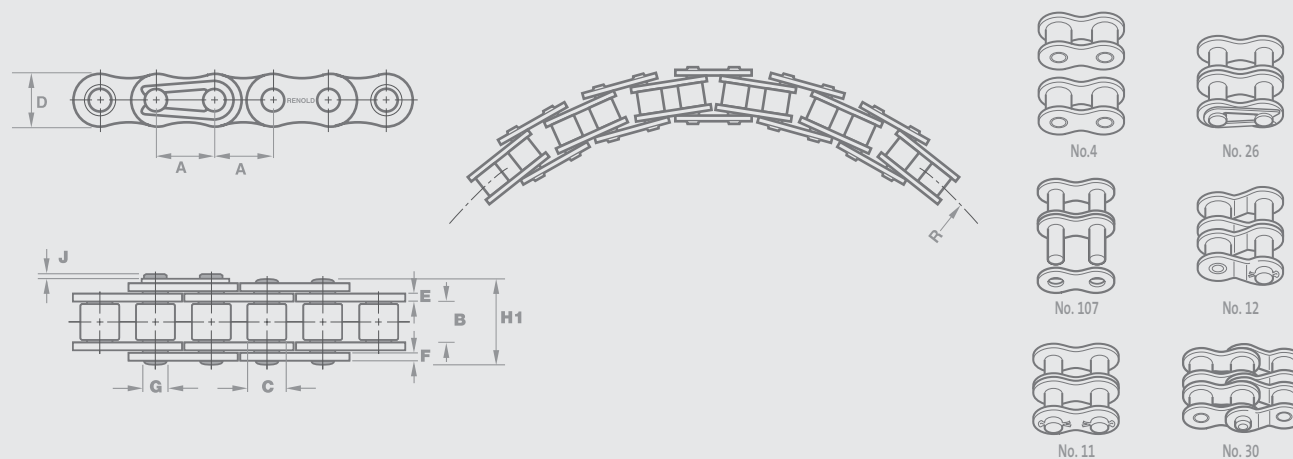
Roll-Ring Page 65
Chain tensioner



Chain Wear Guide Page 85
Measure chain extension easily

Sidebow Roller Chain

European (BS) Standard



Chain Ref.	Technical Details (mm)												Connecting Links		
Renold Chain No.	Pitch (inch)	Pitch (mm)	Inside Width	Roller Diam.	Plate Height	Plate Width Inner	Plate Width Outer	Pin Diam.	Pin Length	Conn. Link Extension	Transverse Pitch	ISO606 Tensile Strength (NEWTONS)	Weight		
				MIN	MAX	MAX	MAX	MAX	MAX	MAX	NOM	MIN	kg/m		

European (BS) Standard - Simplex Bush Chain

		A	A	B	C	D	E	F	G	H1	J	K			
06B15B*	0.375	9.520	5.72	6.35	8.26	1.30	1.30	2.80	12.5	3.3	195	9000	0.39	4	26
1206046#	0.500	12.700	7.85	7.95	11.89	1.55	1.55	3.42	17.0	3.9	350	13000	0.58	4	26
1205319	0.500	12.700	7.75	8.51	11.89	1.55	1.55	4.45	17.0	3.9	400	19000	0.69	4	26
1200180	0.625	15.875	9.65	10.16	13.72	1.55	1.55	4.70	18.7	4.1	450	22400	0.85	4	26
12B15B	0.750	19.050	11.68	12.07	15.93	1.80	1.80	5.72	22.7	4.6	650	29000	1.18	4	26
1205954	1.000	25.400	17.02	15.88	20.57	4.12	3.10	8.27	36.1	5.4	750	65000	2.50	4	26

* Straight side plate.

Based on ANSI 40 chain.

Sidebow chain, unlike standard chain, is manufactured with larger clearances between the pin and bush diameters. Therefore, the tolerance over a length of chain is +0.3% and not +0.15% as for standard chain.

Renold sidebow chain

Application:

Renold sidebow chain is used on curved track conveyors in the bottling, packaging, canning and textile industries. Some typical applications for this chain are:

- To operate a live-roll conveyor on a power curve
- To carry materials around a curve by use of attachments or slats
- To transmit power where abnormal chain twist may be encountered

Product description

Renold sidebow chain is based on the ANSI and British Standard chain of its respective pitch size. The design of the chain requires a special pin diameter resulting in greater clearance between the pin and bush, allowing the chain to bow.

Attachments can be supplied for this chain, but are made to order. Selection of the chain is not covered in our selection procedures and we advise you to consult our technical staff with the details of your application.

Chain should be protected against dirt/moisture and be lubricated with good quality non-detergent petroleum based oil. Renold Sidebow Chain is pre-lubricated before despatch, but like all chain it needs regular re-lubrication during its working life.

For the majority of applications between -5°C and 60°C, a range of multigrade SAE 20/50 oil would be suitable. Special lubrication or coatings can be provided to match your applicational needs.

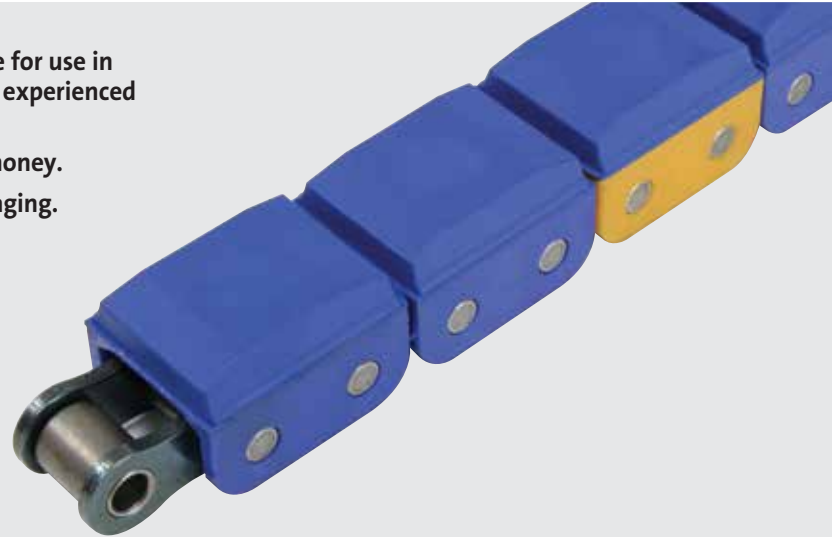
Renold Klik-Top™

Polymer Block Chain

Klik-Top™ polymer block chain is quick to install, strong, suitable for use in hygiene-sensitive areas if required and will cut costly downtime experienced when using conventional polymer block chain.

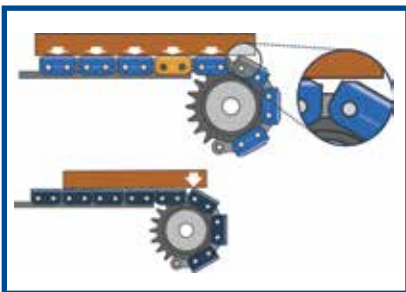
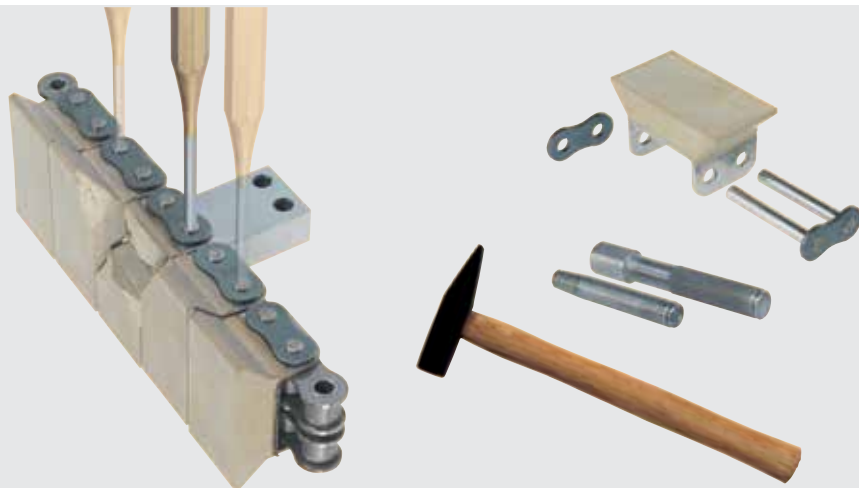
Klik-Top™ chain ensures reliability, quality and great value for money. Ideal for conveying delicate items such as glass, wood and packaging. You can have confidence in Klik-Top™ chain.

- Short downtimes - increased productivity
- Durable polymer clip
- Easily replaced in moments
- Food industry approved
- Base chain available in stainless steel



Conventional repair

- Remove chain
- Grind heads of bearing pins
- Push out bearing pins
- Dismantle damaged parts
- Assemble new spare parts
- Test flexibility
- Reinstall chain



It's easy with Klik-Top™

- Remove damaged clip
- Install new clip



For further information:

t: +44 (0) 161 498 4600

f: +44 (0) 161 498 4565

e: enquiry@renold.com

w: www.renold.com

Also available
from Renold



Roll-Ring Page 65
Chain tensioner

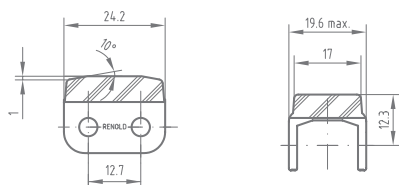
Chain Wear Guide
Page 85



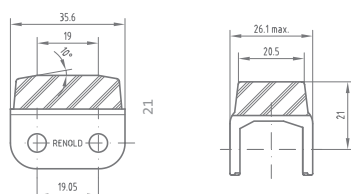
Measure chain
extension easily

Renold Klik-Top™

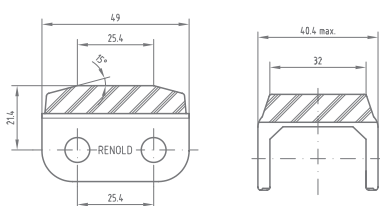
Polymer Block Chain



Similar DIN/ISO	Renold No.	Part No. Chain	Part No. Conn. link	Part No. Clip
08B-1	1603	1215255	1323961	1323959
08B-1	1603 RF**	1210314	1317973	1323959



Similar DIN/ISO	Renold No.	Part No. Chain	Part No. Conn. link	Part No. Clip
12B-1	1642	1215541	1324233	1324100
12B-1	1642 RF**	1210318	1317977	1324100



Similar DIN/ISO	Renold No.	Part No. Chain	Part No. Conn. link	Part No. Clip
16B-1	1666	1215390	1324123	1324068
16B-1	1666 RF**	1210319	1317978	1324068

** RF = The chain is made of rustproof and acid-resistant materials.

For further information:

t: +44 (0) 161 498 4600

f: +44 (0) 161 498 4565

e: enquiry@renold.com

w: www.renold.com

Also available
from Renold



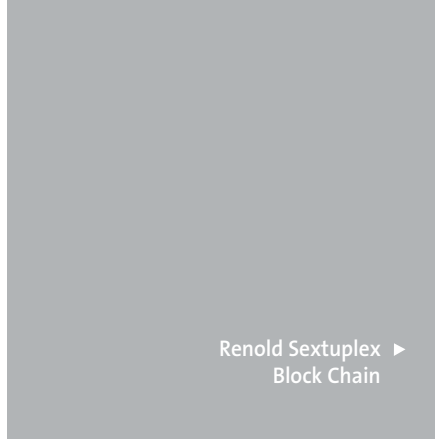
Roll-Ring Page 65
Chain tensioner

Chain Wear Guide
Page 85

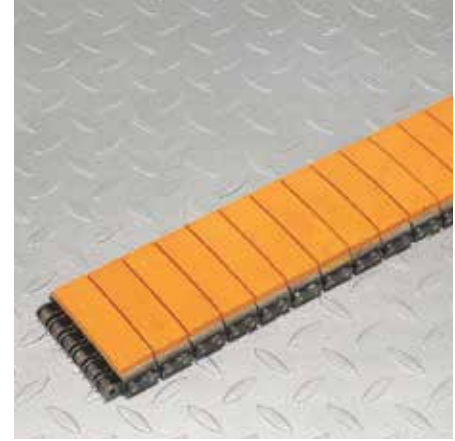


Measure chain
extension easily

Polymer Block Chain



Renold Sextuplex ▶
Block Chain



Polymer block chain

Renold Polymer Block Chain (Rubber Block Chain) has been specifically designed for use in the **feed, conveying** and on **work discharge** types of applications, where an undamaged surface finish is an essential requirement for your finished product.

Renold Chain has been running successfully in all types of machinery and sectors of industry. Examples being:

- Woodworking
- Furniture Industry
- Profile Grinding
- Book Binding
- Conveying Plastic Tubes
- Glass Handling
- Cable Management
- Conveying of Fragile Components

The chain is based on ISO, DIN and ANSI standard, both Simplex and Duplex, the only difference being the overall pin length. Polymer block chain can be used in many different environments by simply changing the block material. The most popular chain in this catalogue being available from stock.

The polymer block vulcanised onto the U-plate is wear resistant and has a shore hardness of 50 to 60. It is suitable for working temperatures up to a maximum of 80°C (176°F).

- Polymer block chain is only supplied in even pitch lengths, including a connecting link
- Chain can be supplied without polymer blocks, with the standard U-plates fitted to the outer links
- For a small extra charge chain can be zinc plated, but this will reduce the minimum breaking load of the chain by 10%
- The gearing dimensions of polymer block chain allows them to run on standard sprockets

Other sizes of chain and block materials can be supplied, apart from the popular and made to order chain detailed in this catalogue. For special applications Renold multiplex chain, up to sextuplex, have been supplied and used successfully where a wider polymer block platform is required.

Popular range

Iso No.	ANSI No.	Pitch. (inch)	Type
08B-1	–	0.05	Simplex
08B-2	–	0.50	Duplex
12B-1	–	0.75	Simplex
12B-2	–	0.75	Duplex
–	80	0.50	Simplex
–	80-2	1.00	Duplex

Made to order sizes

Iso No.	ANSI No.	Pitch. (inch)	Type
04	–	6mm	Simplex
06B-1	–	0.375	Simplex
08B-3	–	0.500	Triplex
10B-2	–	0.625	Duplex

The block material specifications available are shown on page 61.

For assistance with selecting the correct chain size, block type or profile for your application, contact our Technical Sales Department.

For further information:

t: +44 (0) 161 498 4600

f: +44 (0) 161 498 4565

e: enquiry@renold.com

w: www.renold.com

Also available
from Renold



Roll-Ring Page 65
Chain tensioner

Chain Wear Guide
Page 85



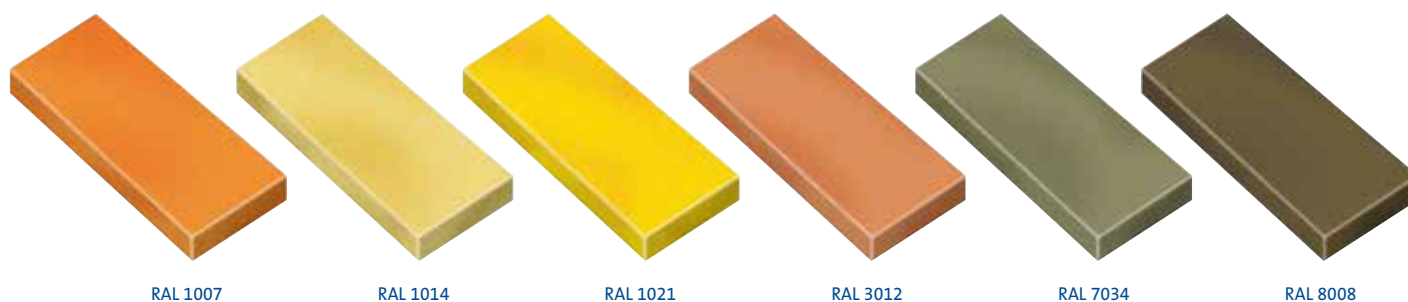
Measure chain
extension easily

Polymer Block Chain



Material code and detail

Code	Material Type	Shore Hardness	Wear Value CIN 53516 mm3	Colour
NR	Natural Rubber	65+/-5	160	RAL1014 Ivory
IR	Isoprene Rubber (Synth. polyisoprene)	-	-	-
SBR	Styrene-Butadiene Rubber	-	-	-
BR	Butadiene Rubber (Polybutadiene)	-	-	-
EPDM	Ethylene-Propylene-Diene Polymer	-	-	-
NBR	Acronitrille Butadiene Rubber	75+/-5	160	RAL7034 Yellow-Grey
CR	Chloroprene Rubber (Polychloroprene)	65+/-5	160	RAL1021 Cadmium-Yellow
AU	Polyester Urethane Rubber	-	-	-
SI	Silicone Resins	70+/-5	160*	RAL3012 Beige-Red
FSI	Fluoric Silicone Resins	-	-	-
FPM	Fluoropolymers	75+/-5	160*	RAL8008 Olive-Brown
PUR	Polyurethane	85+/-5	80	RAL1007 Chrome-Yellow Transparent
60A1	60	0.750	19.050	2.40
80A1	80	1.000	25.400	3.00
60A1	60	0.750	19.050	2.40



A customer specific design, hardness and wear specification of block is possible, but may be subject to minimum order quantities.

Polymer Block material colour may vary from the represented colours shown above.

Material mechanical values/resistance

Type	Material														
	NR	IR	SBR	BR	IIR	EPDM	NBR	CR	AU	SI	FSI	FPM	PUR	PTFE	
Tensile Strength	1	2	5	6	4	5	5	3	2	6	6	5	1	1	
Elongation at Fracture	1	1	2	3	2	3	2	2	2	4	4	3	2	3	
Rebond Resilience	2	2	3	1	6	3	3	3	3	3	3	5	2	NA	
Wear Resistance	2	2	2	1	3	3	2	2	1	5	5	4	1	3	
Tear Strength	2	3	3	5	4	4	4	3	4	6	6	3	1	2	
Current Flow Resistance	1	1	2	2	2	2	4	3	3	1	1	4	2	1	
Temperature Hot-Air Degrees C	+90	+90	+100	+100	+140	+150	+130	+120	+120	+200	+200	+220	+80	+260	
Minimum Temperature Degrees C	-50	-40	-40	-60	-40	-40	-40	-30	-20	-80	-80	-25	-35	-190	
Age Resistance	3	3	3	3	2	1	3	2	2	1	1	1	1	1	
Ozone Resistance	4	4	4	3	2	1	3	2	2	1	1	1	1	1	
Benzine Resistance	6	6	4	5	6	5	1	2	1	5	1	1	2	1	
Oil and Grease Resistance	6	6	5	6	6	4	1	2	1	1	1	1	2	1	
Acid Resistance	3	3	3	3	2	1	4	2	5	5	4	1	6	1	
Alkali Resistance	3	3	3	3	2	2	3	2	5	5	4	1	6	1	
Resistance to Hot Water	3	3	2	3	1	2	3	3	5	5	4	2	6	1	

1 = Excellent 2 = Very Good 3 = Good 4 = Moderate 5 = Poor 6 = Insufficient

When choosing the material for your application, the table above can be used to select the material with the most appropriate properties.

For example, where an application has oil and grease present, NBR, AU, SI, FSI FPM and PTFE materials are suitable.

Contact our technical staff for more advice on the suitability of the materials shown.

Polymer Block



Simplex Roller Chain

Type Number	Profile without Blocks	Chain No.		Chain Fitted with Material Type		
		NR	NBR	PUR	FPM	SI
Based on 08B-1	1850	1208770	-	-	-	- -
0.500" Pitch	0520	-	MIN	1208781	MIN	ENQ MIN
1870	-	MIN	MIN	MIN	ENQ	ENQ
2720	-	MIN	MIN	TR	ENQ	ENQ
2750	-	MIN	1208782	MIN	ENQ	ENQ
4740	-	MIN	1208783	TR	ENQ	ENQ
5800	-	MIN	1208784	TR	ENQ	ENQ
Based on 12B-1	5130	1208775	-	-	-	- -
0.750" Pitch	4680	-	MIN	1208788	TR	ENQ ENQ
5350	-	MIN	MIN	TR	ENQ	ENQ
Based on ANSI 80	0641	1208779	-	-	-	- -
1.000" Pitch	0570	-	MIN	1208792	TR	ENQ ENQ
1120	-	MIN	MIN	TR	ENQ	ENQ
1300	-	MIN	1208793	TR	ENQ	ENQ
1310	-	TR	TR	MIN	TR	TR
Based on 24B-1	0839	12058788	-	-	-	- -
1.500" Pitch	0830	-	MIN	MIN	TR	ENQ ENQ

Duplex Roller Chain

Type Number	Profile without Blocks	Chain No.		Chain Fitted with Material Type		
		NR	NBR	PUR	FPM	SI
Based on 08B-2	0800	1208771	-	-	-	- -
0.500" Pitch	0530	-	MIN	1208785	MIN	MIN MIN
0540	-	MIN	MIN	TR	ENQ	ENQ
0560	-	MIN	MIN	TR	ENQ	ENQ
0590	-	MIN	MIN	TR	ENQ	ENQ
0610	-	MIN	MIN	TR	ENQ	ENQ
0660	-	MIN	1208786	MIN	ENQ	ENQ
0810	-	MIN	MIN	TR	ENQ	ENQ
0820	-	MIN	MIN	TR	ENQ	ENQ
0910	-	MIN	MIN	TR	ENQ	ENQ
1360	-	MIN	MIN	TR	ENQ	ENQ
1760	-	MIN	MIN	MIN	ENQ	ENQ
2020	-	MIN	MIN	TR	ENQ	ENQ
2520	-	MIN	1208787	TR	ENQ	ENQ
Based on 12B-2	0639	1208776	-	-	-	- -
0.750" Pitch	0630	-	MIN	1208789	TR	ENQ ENQ
0760	-	MIN	1208790	MIN	ENQ	MIN
1480	-	MIN	MIN	TR	ENQ	ENQ
Based on ANSI 80-2	0510	1208780	-	-	-	- -
1.000" Pitch	0570	-	MIN	TR	TR	TR TR
1120	-	TR	TR	TR	TR	TR
1300	-	TR	TR	TR	TR	TR
1310	-	TR	TR	TR	TR	TR

MIN = Made to order only. Minimum order quantity of 100M.

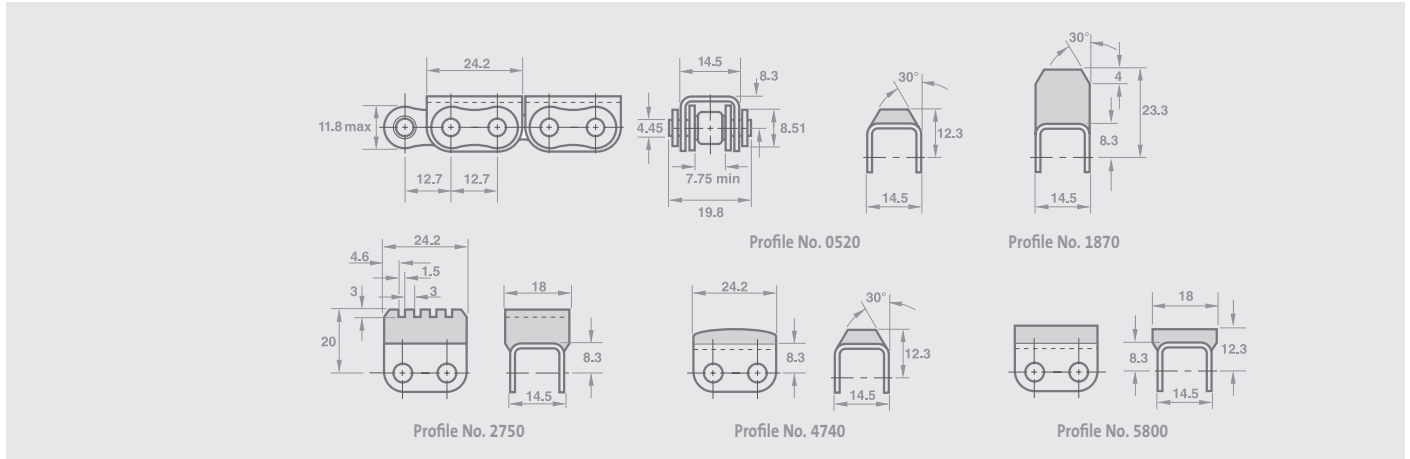
TR = A tooling charge would be applied. Minimum order quantity of 100M.

ENQ = Made to order only. Enquire for minimum order quantity

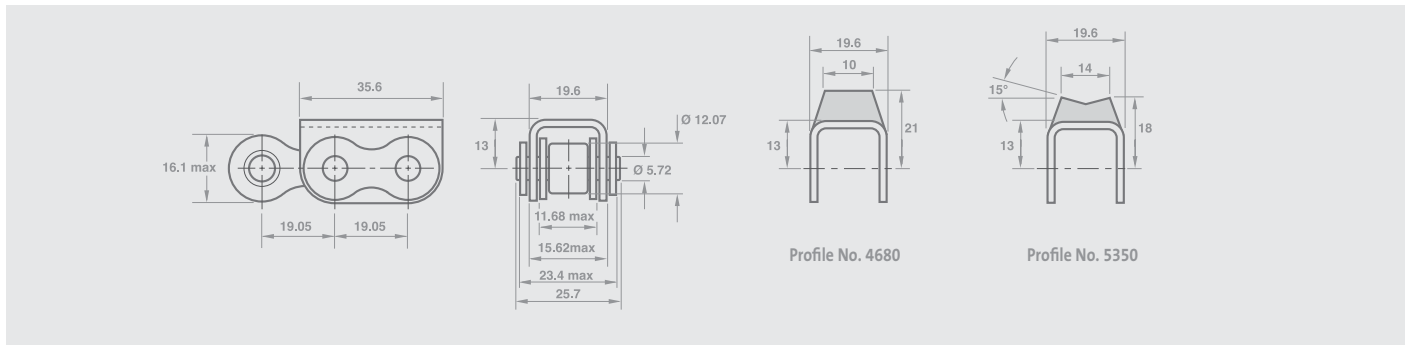
Profile Drawings and dimensions are shown on pages 63 and 64.

Polymer Block Chain Types

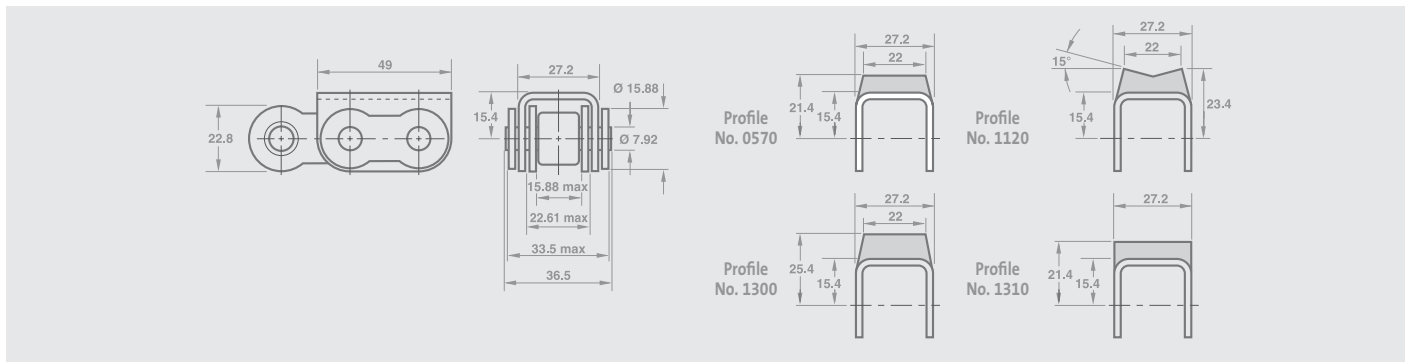
0.500" pitch simple chain profiles



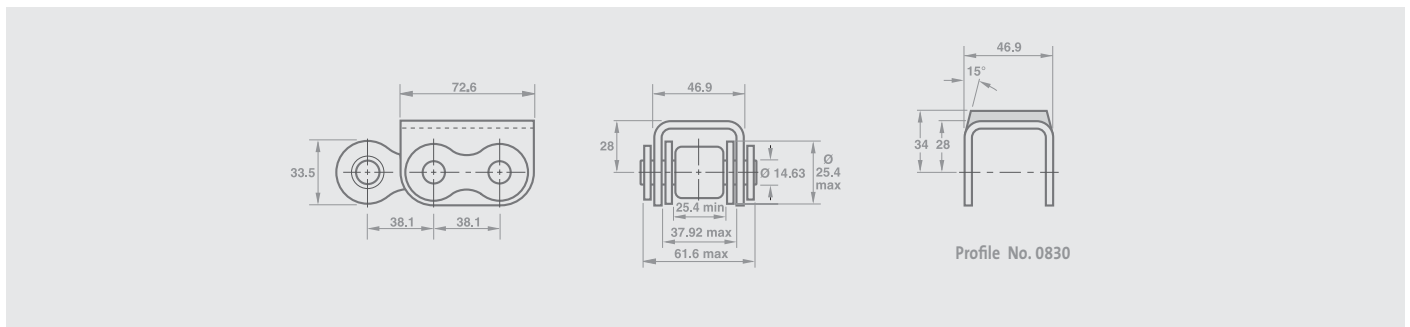
0.750" pitch simple chain profiles



1.000" pitch simple chain profiles



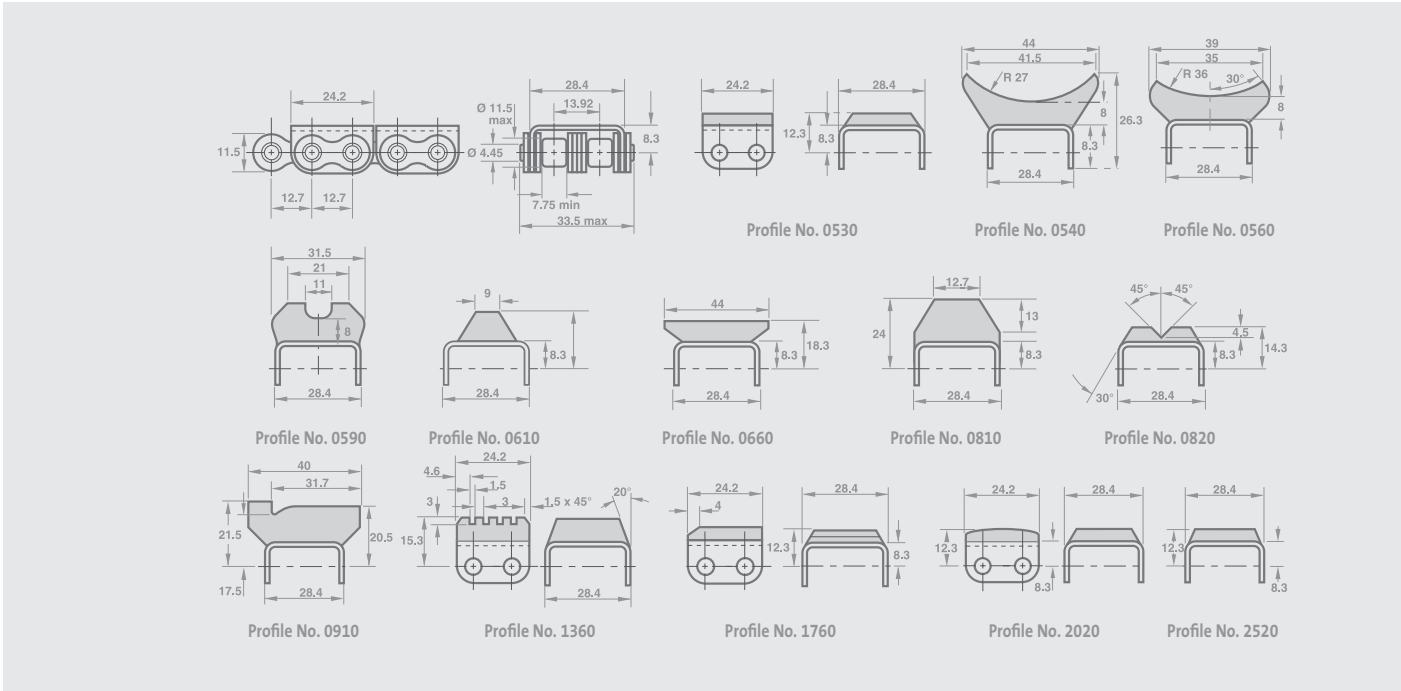
1.500" pitch simple chain profiles



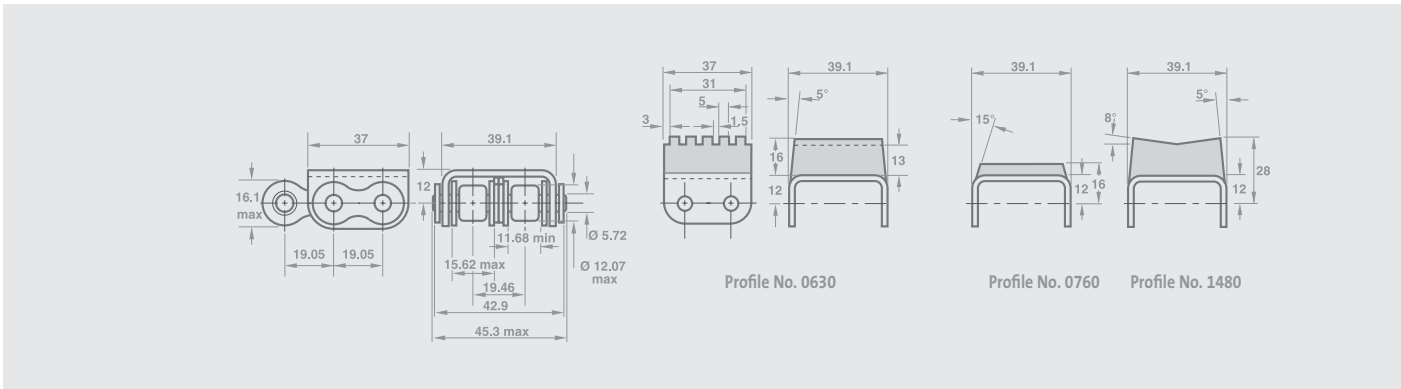
Polymer Block Chain



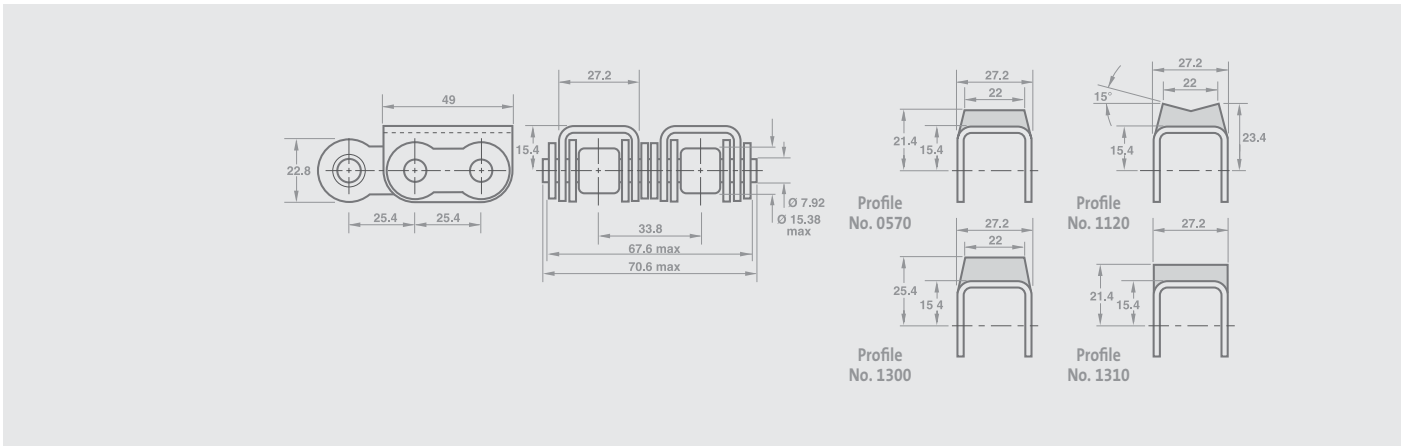
0.500" pitch duplex chain profiles



0.750" pitch duplex chain profiles



1.000" pitch duplex chain profiles



Roll-Ring®

Self Adjusting Chain Tensioner

Roll-Ring® is a simple yet innovative chain tensioner made from a specially formulated polymer.

The unique design is based upon a simple toothed ring that can be fitted to horizontal, vertical or diagonal drives in a matter of seconds, simply by placing it in-between the two strands of chain. When the drive is in use, the Roll-Ring® deforms to an elliptical shape, due to compression between the strands and completely absorbs any slack in the system. Roll-Ring® performs the job of a tensioner and a damper in one, and is ideally suited to applications where maintenance is difficult or impossible.

Technical details

Roll-Ring® chain tensioners provide tensioning using:

- Static tensioning force from the elastic ring
- Dynamic tensioning force from the damping of the working material

Benefits

The Roll-Ring® chain tensioner provides cost effective, time saving installation and maintenance.

The advantages over other types of chain tensioners are:

- Free standing - no sprockets, bolts, plates, drilling or costly installation required
- The Roll-Ring® is easily installed where space limitations prohibit the use of conventional chain tensioners
- The Roll-Ring® is fitted in a matter of seconds
- It is ready for use without any tools, tensioning equipment or any further alignment or adjustment
- It is fully effective in vertical and diagonal drives
- The Roll-Ring® works automatically, is maintenance free and self lubricating
- It can be used in dusty and dirty environments

- The Roll-Ring® is a tensioner and damper in one, thus reducing noise levels

- Roll-Ring® also works in reverse mode

Roll-Ring® chain tensioners reduce chain wear and improve the quality and efficiency of the complete chain drive.

The innovative tensioner

The Roll-Ring® chain tensioner is an elementary mechanism based on new principles and represents a major advance in technology:

- Roll-Ring® requires minimal technical effort
- Its operation is astonishingly simple
- All functions are integrated into a single component
- Roll-Ring® utilises the hollow space of the associated chain drive system giving greater flexibility to designers and specifiers
- Automatic positioning and self lubricating

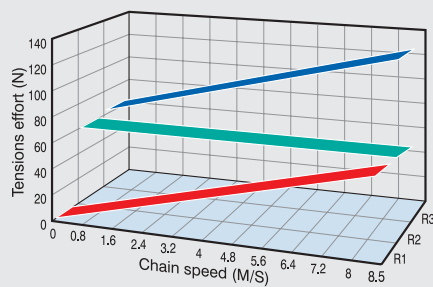
Bottom:
Snap-in
installation



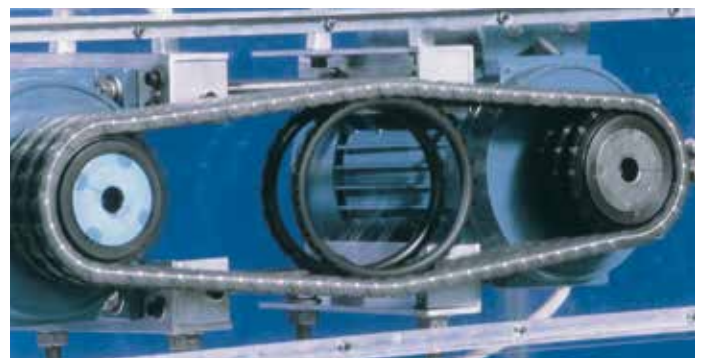
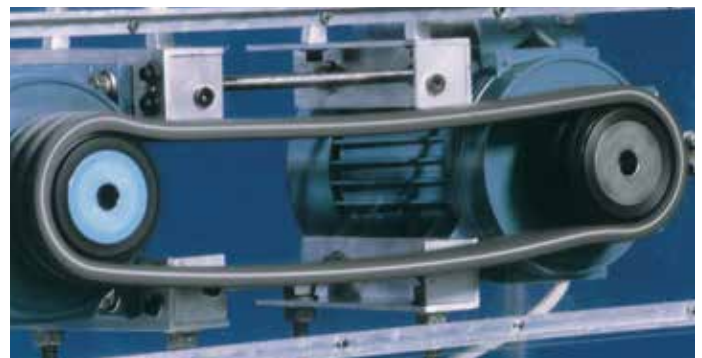
Top:
Vibrations in
an untensioned
chain drive



Bottom:
The Roll-Ring®
chain tensioner
tensions and dampens



Tensioning effort for ROLL-RING®: Dynamic force R1 Static force R2 Resultant force R3



Roll-Ring®

Self Adjusting Chain Tensioner

Case study: chocolate production

A major chocolate manufacturer was experiencing serious problems with short chain life on a main production line and also had chain tensioning problems, due to the inaccessibility of the chain drives. Firstly, the short chain life (4-5 weeks) was overcome when the Renold Engineer recommended a change to nickel plated chains, which led to a new chain life of more than twelve months.

Secondly, regular downtime due to the failure of the previous chains was extended through the fitting of chain tensioners and their ongoing adjustments over time. With a time sensitive maintenance policy, the chocolate manufacturer looked for a solution to speed up the tensioning of the replacement chain and Roll-Ring® provided that simple solution.

The new Renold chain had to be adjusted to be near their ideal centres when fitted, and when the maximum compression was reached the Roll-Ring® was fitted by hand within seconds.

No further adjustments had to be carried out due to the flexibility of the Roll-Ring® design and all future chain extension is automatically taken up during the chain's life. With a large reduction in equipment downtime for tensioning adjustment, the chocolate manufacturer now enjoys significant time savings, cost savings and peace of mind.

- Saving of maintenance time for tension adjustments
- Simple installation

- Effective dampening
- Unique solution

The new principle

The principle of the Roll-Ring® chain tensioner is based on two simple phenomena:

- The elastic ring engages with the chain drive strands and rolls between them in a pre-stressed condition taking up the shape of an ellipse
- The constantly opposing movements of the load and slack strands cancel each other out, thereby holding the Roll-Ring® in position

Installation and maintenance

Roll-Ring® chain tensioners are maintenance free and can be fitted to a wide variety of chain drives with no installation down time.

The requirement is that:

- There is a working space with a gap between the chain strands which is smaller than the reference diameter of the chain tensioner
- There is a sufficient gap between the chain drive sprockets

We recommend that the chain tensioner is positioned between two chain strands such that there is at least one chain pitch between the Roll-Ring® and the smallest sprocket. The Roll-Ring® can also be positioned just as effectively outside this recommended area, as long as it is sufficiently prestressed. In this case, practical trial and error are recommended.

Roll-Ring® chain tensioners can be used in line within the same chain strand, or parallel with each other in multi-strand chain drives.

Please note that triplex chain drives only require two Roll-Rings® positioned on the outer strands.



Roll-Ring® installation and final dimensions

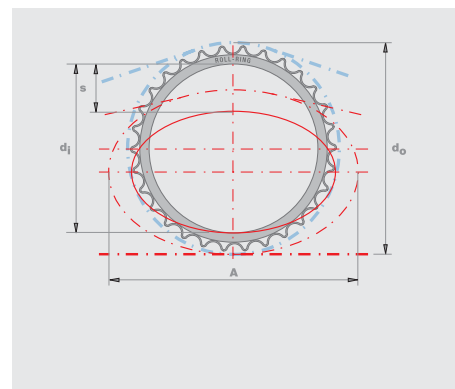
Part No.	d _o	d _i	s	A
10503001	76.5	65.0	20.0	104.0
10603001	91.1	73.0	25.0	122.0
10603601	109.0	89.5	25.0	143.0
10802601	102.1	84.5	24.0	135.8
10803001	148.0	98.0	28.0	161.6
10803401	170.0	115.4	30.0	165.0
11002601	128.4	105.0	28.0	153.0
11003001	148.0	124.6	33.0	177.0
11003401	170.0	141.0	38.0	217.0
11202601	155.0	127.6	35.0	209.5
11203001	182.2	145.0	40.0	241.7
11203401	207.5	169.5	45.0	265.0
11602601	207.0	167.0	45.0	269.0
11603001	245.8	202.0	50.0	306.0
12003001	303.7	244.0	60.0	390.0

Value A includes a safety distance to the sprockets

Roll-Ring® chain tensioners in one of our test rigs



Roll-Ring® chain tensioners are re-cyclable



Roll-Ring®

Chain Tensioners Standard Product Range

Part No.	No. of teeth	ISO reference	Maximum static expansive force ** (NEWTONS)	Maximum chain speed (M/S)	Minimum ambient temperature ~ (°C)	Maximum ambient temperature ~ (°C)	Resistant to ultra violet light
10503001	30	05B	2.900	5.000	-20	70	Normal
10603001	30	06B	15.200	5.200	-20	70	Normal
10603601	36	06B	28.500	5.200	-20	70	Normal
10802601	26	08B	15.700	7.500	-20	70	Normal
10803001	30	08B	22.000	8.600	-20	70	Normal
10803401	34	08B	22.000	8.800	-20	70	Normal
10843001	30	081 \ 083*	16.800	7.500	-20	70	Normal
11002601	26	10B	28.200	4.200	-20	70	Normal
11003001	30	10B	23.000	8.800	-20	70	Normal
11003401	34	10B	45.100	8.800	-20	70	Normal
11202601	26	12B	39.200	5.400	-20	70	Normal
11203001	30	12B	65.000	6.200	-20	70	Normal
11203401	34	12B	70.500	6.400	-20	70	Normal
11602601	26	16B	95.700	5.700	-20	70	Normal
11603001	30	16B	108.500	6.200	-20	70	Normal
12003001	30	20B	194.000	7.000	-20	60	Normal
10603001	30	35	5.700	5.200	-20	70	Normal
10802601	26	40	15.200	7.500	-20	70	Normal
10803001	30	40	22.000	8.600	-20	70	Normal
10843001	30	41	16.800	7.500	-20	70	Normal
11002601	26	50	28.200	4.200	-20	70	Normal
11003001	30	50	23.000	8.800	-20	70	Normal
11003401	34	50	45.100	8.800	-20	70	Normal
11202601	26	60	39.200	5.400	-20	70	Normal
11203001	30	60	65.000	6.200	-20	70	Normal
11602601	26	80	95.700	5.700	-20	70	Normal
11603001	30	80	103.000	6.600	-20	70	Normal
12003001	30	100	194.000	7.000	-20	60	Normal
20802601	26	08B	13.500	7.100	-20	70	High#
20803001	30	08B	20.400	7.400	-20	70	High#
20843001	30	081 \ 083*	15.400	6.800	-20	70	High#
21003001	30	10B	20.000	7.800	-20	70	High#
21202601	26	12B	37.000	5.000	-20	70	High#
21203001	30	12B	52.000	5.600	-20	70	High#
21603001	30	16B	100.600	5.800	-20	70	High#
22003001	30	20B	165.800	6.300	-15	60	High#

Ultra Violet resistant Roll-Rings® for use in equipment where the Roll-Ring® is exposed to Ultra Violet Light ie. agricultural machinery, community service equipment, building machines etc

~ For special operational temperatures lower or higher than those listed please consult Renold.

* To fit all roller chain widths from 1/8 to 5/16".

** At 20°C maximum adjustment, without dynamic expansive force proportional to chain speed.

NB Ultra Violet resistant Roll-Rings® have different mechanical properties to the standard Roll-Ring® which could result in a lower service life.

The above information is based on current knowledge and experience, we reserve the right to make modifications as part of our technical product improvement programme.

Registered trademark 641 683 from Ebert Kettenspannick GmbH.

The range of ROLL-RING® products continues to increase. Please consult Renold to discuss your particular requirements.

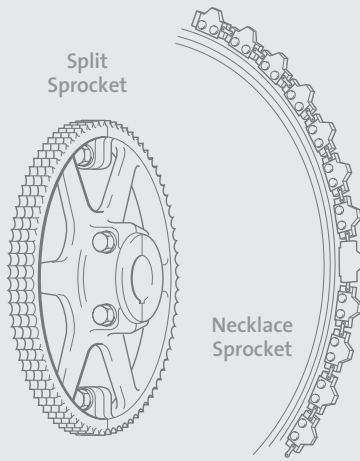
Industries

Typical applications:

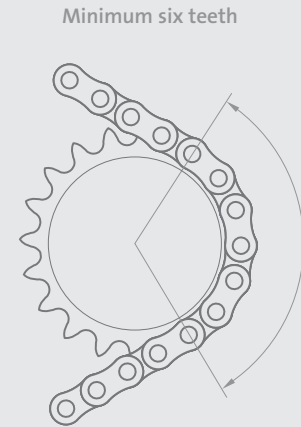
- Agricultural machinery
- Baggage handling
- Cardboard manufacture
- Chocolate manufacture
- Ground compression machines
- Kiln conveyors
- Manufacture of drive systems
- Manufacture of pressing plants
- Paper cutting machines
- Printing machines
- Road building machines
- Robotics
- Roller drive systems
- Tile manufacture
- Transport systems
- Wood chip conveying

Transmission Sprocket Details

Sprockets for Roller Chain



Sprocket	Smooth Running	Moderate Shocks	Heavy Shocks
Up to 29T	EN8 or EN9	EN8 or EN9 Hardened & Tempered or Case Hardened Mild Steel	EN8 or EN9 Hardened & Tempered or Case Hardened Mild Steel
30T and Over	Cast Iron	Mild Steel or Meehanite	EN8 or EN9 Hardened & Tempered or Case Hardened Mild Steel



Renold manufacture a comprehensive range of stock sprockets for British Standard chain up to two inch pitch.

Other sizes of sprocket, including those to American Standard dimensions, are available on request.

Special sprockets are also manufactured on request, in special materials or formats, normally to suit a specific application in harsh or difficult drive situations, examples being:

- Sprockets incorporating shafts
- Welded or detachable hubs
- Shear pin devices fitted
- Necklace sprockets made up of chain plates and individual tooth sections for turning large drums or tables
- Combination sprockets (two or more sprockets combined having different pitch sizes and numbers of teeth)
- Sprockets in two or more sections, i.e. split sprockets or segmental sprockets

Selection of sprocket materials

Choice of material and heat treatment will depend upon shape, diameter and mass of the sprocket. The table above can be used as a simple guide on the correct selection of sprocket material.

Sprocket and chain compatibility

Most drives have an even number of pitches in the chain and by using a driver sprocket with an odd number of teeth, uniform wear distribution over both chain and sprocket teeth is ensured. Even numbers of teeth for both the driver and driven sprockets can be used, but wear distribution on both the sprocket teeth and chain is poor.

Number of teeth

The maximum number of teeth in any driven sprocket should not exceed 114. This limitation is due to the fact that for a given elongation of chain due to wear, the working pitch diameter of the chain on the sprocket increases in relation to the nominal pitch diameter, i.e. the chain assumes a higher position on the sprocket tooth. The allowable safe chain wear is considered to be in the order of 2% elongation over nominal length.

A simple formula for determining how much chain elongation a sprocket can accommodate is $\frac{200}{N}$

expressed as a percentage where N is the number of teeth on the largest sprocket in the drive system.

It is good practice to have the sum of teeth not less than 50 where both the driver and driven sprockets are operated by the same chain, e.g. on a 1:1 ratio drive, both sprockets should have 25 teeth each.

Centre distance

For optimum wear life, centre distance between two sprockets should normally be within the range 30 to 50 times the chain pitch. On drive proposals with centre distances below 30 pitches or greater than 2m, we would recommend that the drive details are discussed with our technical staff.

The minimum centre distance is sometimes governed by the amount of chain lap on the driver sprocket, our normal recommendation in this circumstance being not less than six teeth in engagement with the chain.

The centre distance is also governed by the desirability of using a chain with an even number of pitches to avoid the use of a cranked link, a practice that is not recommended except in special circumstances.

For a drive in the horizontal plane, the shortest centre distance possible should be used consistent with recommended chain lap (minimum six teeth) on the driver sprocket.

Transmission Sprockets

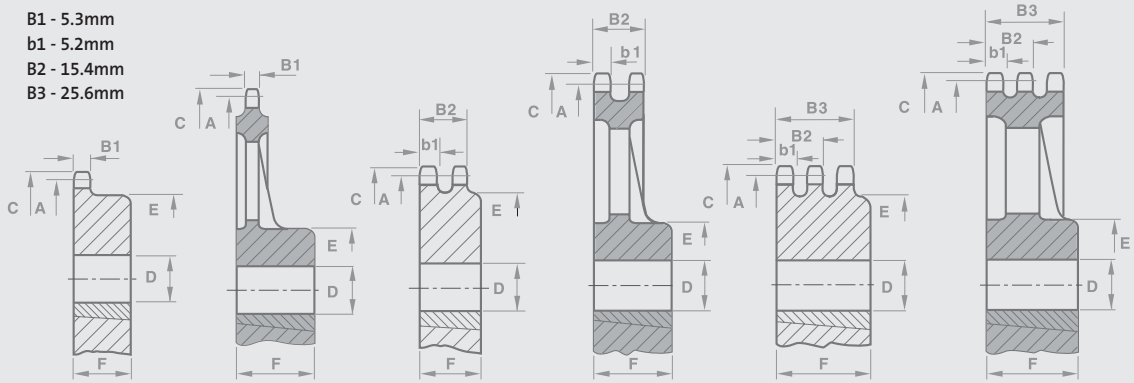
ISO 606 [9.525mm/0.375" Pitch] Range

Tooth Width SIMPLEX
 Tooth Width
 Tooth Width DUPLEX
 Tooth Width TRIPLEX

B1 - 5.3mm
 b1 - 5.2mm
 B2 - 15.4mm
 B3 - 25.6mm

Key

-  Steel
-  Cast Iron



Technical Details (mm)			Simplex					Duplex					Triplex				
No. of Teeth	PCD	Top Diam.	Part No.	Bore		Boss Diam.	Dist. Thro.	Part No.	Bore		Boss Diam.	Dist. Thro.	Part No.	Bore		Boss Diam.	Dist. Thro.
				MIN	MAX				MIN	MAX				MIN	MAX		

Plain Bore - steel

	A	C		D	D	E	F		D	D	E	F		D	D	E	F
11	33.80	37.5	06B1/11T	8.0	14.0	22.0	25.0	06B2/11T	10.0	14.0	22.0	30.0	06B3/11T	12.0	14.0	22.0	35.0
12	36.80	40.5	06B1/12T	8.0	16.0	25.0	25.0	06B2/12T	10.0	16.0	25.0	30.0	06B3/12T	12.0	16.0	25.0	35.0
13	39.80	43.5	06B1/13T	10.0	16.0	28.0	25.0	06B2/13T	10.0	16.0	28.0	30.0	06B3/13T	12.0	16.0	28.0	35.0
14	42.80	46.5	06B1/14T	10.0	20.0	31.0	25.0	06B2/14T	10.0	20.0	31.0	30.0	06B3/14T	12.0	22.0	31.0	35.0
15	45.81	49.5	06B1/15T	10.0	22.0	34.0	25.0	06B2/15T	10.0	22.0	34.0	30.0	06B3/15T	12.0	22.0	34.0	35.0
16	48.82	52.5	06B1/16T	10.0	22.0	37.0	28.0	-	-	-	-	-	-	-	-	-	-
17	51.83	55.5	06B1/17T	10.0	25.0	40.0	28.0	06B2/17T	12.0	25.0	40.0	30.0	06B3/17T	12.0	25.0	40.0	35.0
18	54.85	58.6	06B1/18T	10.0	25.0	43.0	28.0	-	-	-	-	-	-	-	-	-	-
19	57.87	61.6	06B1/19T	10.0	28.0	45.0	28.0	06B2/19T	12.0	28.0	46.0	30.0	06B3/19T	12.0	28.0	46.0	35.0
20	60.89	64.6	06B1/20T	10.0	30.0	46.0	28.0	06B2/20T	12.0	30.0	49.0	30.0	06B3/20T	12.0	30.0	49.0	35.0
21	63.91	67.6	06B1/21T	12.0	32.0	48.0	28.0	06B2/21T	16.0	35.0	52.0	30.0	06B3/21T	16.0	35.0	52.0	40.0
22	66.93	70.6	06B1/22T	12.0	32.0	50.0	28.0	-	-	-	-	-	-	-	-	-	-
23	69.95	73.7	06B1/23T	12.0	38.0	52.0	28.0	06B2/23T	16.0	42.0	58.0	30.0	06B3/23T	16.0	42.0	58.0	40.0
24	72.97	76.7	06B1/24T	12.0	38.0	54.0	28.0	-	-	-	-	-	-	-	-	-	-
25	76.00	79.7	06B1/25T	12.0	38.0	57.0	28.0	06B2/25T	16.0	42.0	64.0	30.0	06B3/25T	16.0	42.0	64.0	40.0
26	79.02	82.7	06B1/26T	12.0	38.0	60.0	28.0	-	-	-	-	-	-	-	-	-	-
27	82.04	85.7	06B1/27T	12.0	38.0	60.0	28.0	06B2/27T	16.0	42.0	70.0	30.0	06B3/27T	16.0	42.0	70.0	40.0
30	91.12	94.8	06B1/30T	12.0	35.0	60.0	28.0	06B2/30T	16.0	40.0	79.0	30.0	06B3/30T	16.0	45.0	79.0	40.0
38	115.34	119.0	06B1/38T	16.0	42.0	70.0	30.0	06B2/38T	16.0	50.0	90.0	30.0	06B3/38T	16.0	55.0	90.0	40.0

Plain Bore - heavy duty cast iron



	A	C		D	D	E	F		D	D	E	F		D	D	E	F
57	172.94	177.5	06B1/57T	19.0	45.0	80.0	25.0	06B2/57T	24.0	50.0	90.0	25.0	06B3/57T	28.0	55.0	95.0	38.0
76	230.49	235.1	06B1/76T	19.0	45.0	80.0	25.0	06B2/76T	24.0	50.0	90.0	25.0	06B3/76T	28.0	65.0	110.0	45.0
95	288.08	292.7	06B1/95T	24.0	50.0	90.0	25.0	06B2/95T	28.0	55.0	95.0	38.0	06B3/95T	28.0	65.0	110.0	45.0
114	345.68	350.3	06B1/114T	24.0	50.0	90.0	38.0	06B2/114T	28.0	55.0	95.0	38.0	06B3/114T	28.0	65.0	110.0	52.0
150	454.81	461.2	06B1/150T	24.0	50.0	90.0	45.0	06B2/150T	35.0	65.0	110.0	52.0	-	-	-	-	-

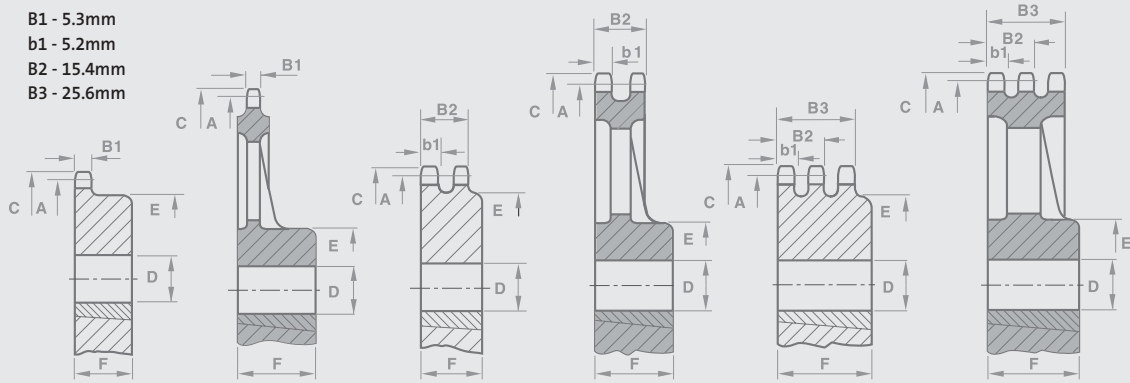
Rebore, keyway and setscrew modification service available - see page 81

Transmission Sprockets

ISO 606 [9.525mm/0.375" Pitch]

Tooth Width SIMPLEX B1 - 5.3mm
 Tooth Width b1 - 5.2mm
 Tooth Width DUPLEX B2 - 15.4mm
 Tooth Width TRIPLEX B3 - 25.6mm

Key
 Steel
 Cast Iron



Technical Details (mm)			Simplex				Duplex				Triplex			
No. of Teeth	PCD	Top Diam.	Part No.	Taper Bush	Boss Diam.	Dist. Thro.	Part No.	Taper Bush	Boss Diam.	Dist. Thro.	Part No.	Taper Bush	Boss Diam.	Dist. Thro.

Taper Bore - steel

	A	C			E	F			E	F			E	F
17	51.83	55.5	T06B1/17T	TB1008	45.0	22.0	T06B2/17T	TB1008	41.0	22.0	T06B3/17T	TB1008	-	25.6
19	57.87	61.6	T06B1/19T	TB1008	45.0	22.0	T06B2/19T	TB1008	46.0	22.0	T06B3/19T	TB1008	-	25.6
21	63.91	67.6	T06B1/21T	TB1008	46.0	22.0	T06B2/21T	TB1008	49.0	22.0	T06B3/21T	TB1008	-	25.6
23	69.95	73.7	T06B1/23T	TB1210	63.0	25.0	T06B2/23T	TB1210	59.0	25.0	T06B3/23T	TB1210	-	25.6
25	76.00	79.7	T06B1/25T	TB1210	63.0	25.0	T06B2/25T	TB1210	64.0	25.0	T06B3/25T	TB1210	-	25.6
38	115.34	119.0	T06B1/38T	TB1210	70.0	25.0	T06B2/38T	TB1610	80.0	25.0	T06B3/38T	TB1615	90.0	38.0

Taper Bore - heavy duty cast iron

	A	C			E	F			E	F			E	F
57	172.94	177.5	T06B1/57T	TB1210	80.0	25.0	T06B2/57T	TB1610	90.0	25.0	T06B3/57T	TB1615	95.0	38.0
76	230.49	235.1	T06B1/76T	TB1210	80.0	25.0	T06B2/76T	TB1610	90.0	25.0	T06B3/76T	TB2017	110.0	45.0
95	288.08	292.7	T06B1/95T	TB1210	90.0	25.0	T06B2/95T	TB1615	95.0	38.0	-	-	-	45.0
114	345.68	350.3	T06B1/114T	TB1615	90.0	38.0	T06B2/114T	TB1615	95.0	38.0	-	-	-	52.0
150	454.81	461.2	06B1/150T	50.0	90.0	45.0	06B2/150T	65.0	110.0	52.0	-	-	-	-

Rebore, keyway and setscrew modification service available - see page 81

For further information:
 t: +44 (0) 161 498 4600
 f: +44 (0) 161 498 4565
 e: enquiry@renold.com
 w: www.renold.com

Also available from Renold



Transmission Sprockets

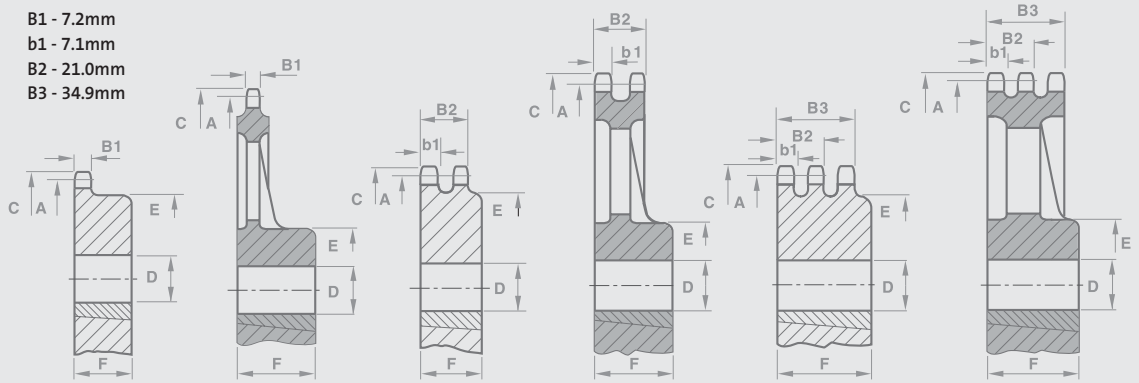
ISO 606 [12.7mm/0.500" Pitch] Range



Tooth Width SIMPLEX B1 - 7.2mm
 Tooth Width b1 - 7.1mm
 Tooth Width DUPLEX B2 - 21.0mm
 Tooth Width TRIPLEX B3 - 34.9mm

Key

-  Steel
-  Cast Iron



Technical Details (mm)			Simplex					Duplex					Triplex				
No. of Teeth	PCD	Top Diam.	Part No.	Bore	Bore	Boss Diam.	Dist. Thro.	Part No.	Bore	Bore	Boss Diam.	Dist. Thro.	Part No.	Bore	Bore	Boss Diam.	Dist. Thro.
				MIN	MAX				MIN	MAX				MIN	MAX		

Plain Bore - steel

	A	C		D	D	E	F		D	D	E	F		D	D	E	F
11	45.07	49.9	08B1/11T	10.0	19.0	29.0	25.0	08B2/11T	12.0	20.0	32.0	35.0	08B3/11T	16.0	20.0	32.0	50.0
12	49.07	53.9	08B1/12T	10.0	22.0	33.0	28.0	08B2/12T	12.0	22.0	35.0	35.0	08B3/12T	16.0	22.0	35.0	50.0
13	53.07	57.9	08B1/13T	10.0	25.0	37.0	28.0	08B2/13T	12.0	25.0	38.0	35.0	08B3/13T	16.0	25.0	38.0	50.0
14	57.07	61.9	08B1/14T	10.0	25.0	41.0	28.0	08B2/14T	12.0	28.0	42.0	35.0	08B3/14T	16.0	28.0	42.0	50.0
15	61.09	65.9	08B1/15T	10.0	32.0	45.0	28.0	08B2/15T	12.0	32.0	46.0	35.0	08B3/15T	16.0	32.0	46.0	50.0
16	65.10	69.9	08B1/16T	12.0	33.0	50.0	28.0	-	-	-	-	-	-	-	-	-	-
17	69.11	74.0	08B1/17T	12.0	35.0	52.0	28.0	08B2/17T	16.0	38.0	54.0	38.0	08B3/17T	16.0	38.0	54.0	50.0
18	73.14	78.0	08B1/18T	12.0	35.0	56.0	28.0	-	-	-	-	-	-	-	-	-	-
19	77.16	82.0	08B1/19T	12.0	40.0	60.0	28.0	08B2/19T	16.0	42.0	62.0	38.0	08B3/19T	16.0	42.0	62.0	50.0
20	81.18	86.0	08B1/20T	12.0	42.0	64.0	28.0	08B2/20T	16.0	42.0	66.0	38.0	08B3/20T	16.0	42.0	66.0	50.0
21	85.22	90.1	08B1/21T	14.0	45.0	68.0	28.0	08B2/21T	16.0	45.0	70.0	40.0	08B3/21T	16.0	45.0	70.0	55.0
22	89.24	94.1	08B1/22T	14.0	45.0	70.0	28.0	-	-	-	-	-	-	-	-	-	-
23	93.27	98.1	08B1/23T	14.0	45.0	70.0	28.0	08B2/23T	16.0	45.0	70.0	40.0	08B3/23T	16.0	45.0	70.0	55.0
24	97.29	102.1	08B1/24T	14.0	45.0	70.0	28.0	-	-	-	-	-	-	-	-	-	-
25	101.33	106.2	08B1/25T	14.0	45.0	70.0	28.0	08B2/25T	16.0	48.0	80.0	40.0	08B3/25T	16.0	48.0	80.0	55.0
26	105.36	110.2	08B1/26T	16.0	45.0	70.0	30.0	-	-	-	-	-	-	-	-	-	-
27	109.40	114.2	08B1/27T	16.0	45.0	70.0	30.0	08B2/27T	16.0	58.0	85.0	40.0	08B3/27T	20.0	58.0	85.0	55.0
30	121.50	126.3	08B1/30T	16.0	48.0	80.0	30.0	08B2/30T	16.0	60.0	100.0	40.0	08B3/30T	20.0	60.0	100.0	55.0
38	153.80	158.6	08B1/38T	16.0	60.0	90.0	35.0	08B2/38T	20.0	60.0	100.0	40.0	08B3/38T	25.0	72.0	120.0	55.0

Plain Bore - heavy duty cast iron

	A	C		D	D	E	F		D	D	E	F		D	D	E	F
57	230.54	237.1	08B1/57T	19.0	60.0	110.0	32.0	08B2/57T	28.0	65.0	110.0	32.0	08B3/57T	28.0	65.0	110.0	45.0
76	307.33	313.9	08B1/76T	19.0	60.0	110.0	32.0	08B2/76T	38.0	65.0	110.0	45.0	08B3/76T	38.0	75.0	130.0	64.0
95	384.11	390.7	08B1/95T	24.0	50.0	90.0	45.0	08B2/95T	38.0	65.0	110.0	52.0	08B3/95T	38.0	75.0	130.0	64.0
114	460.90	467.4	08B1/114T	34.0	50.0	90.0	45.0	08B2/114T	38.0	65.0	110.0	58.0	08B3/114T	38.0	75.0	130.0	72.0

Rebore, keyway and setscrew modification service available - see page 81

For further information:

t: +44 (0) 161 498 4600
 f: +44 (0) 161 498 4565
 e: enquiry@renold.com
 w: www.renold.com

Also available from Renold



Transmission Sprockets


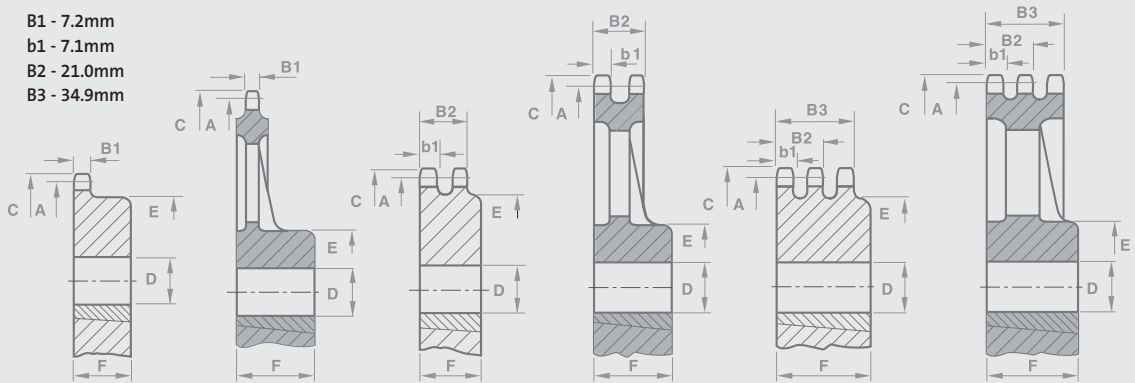
ISO 606 [12.7mm/0.500" Pitch]

Tooth Width SIMPLEX
Tooth Width
Tooth Width DUPLEX
Tooth Width TRIPLEX

B1 - 7.2mm
b1 - 7.1mm
B2 - 21.0mm
B3 - 34.9mm

Key

 Steel

 Cast Iron


Technical Details (mm)			Simplex				Duplex				Triplex			
No. of Teeth	PCD	Top Diam.	Part No.	Taper Bush	Boss Diam.	Dist. Thro.	Part No.	Taper Bush	Boss Diam.	Dist. Thro.	Part No.	Taper Bush	Boss Diam.	Dist. Thro.

Taper Bore - steel

	A	C			E	F			E	F			E	F
15	61.08	65.9	T08B1/15T	TB1008	45.0	22.0	T08B2/15T	TB1008	48.0	22.0	-	-	-	-
17	69.12	74.0	T08B1/17T	TB1210	60.0	25.0	T08B2/17T	TB1210	56.0	25.0	-	-	-	-
19	77.16	82.0	T08B1/19T	TB1210	63.0	25.0	T08B2/19T	TB1210	64.0	25.0	T08B3/19T	TB1215	62.0	38.0
21	85.21	90.1	T08B1/21T	TB1610	71.0	25.0	T08B2/21T	TB1610	71.0	25.0	T08B3/21T	TB1615	70.0	38.0
23	93.27	98.1	T08B1/23T	TB1610	76.0	25.0	T08B2/23T	TB1610	79.0	25.0	T08B3/23T	TB1615	70.0	38.0
25	101.33	106.2	T08B1/25T	TB1610	76.0	25.0	T08B2/25T	TB2012	87.0	32.0	T08B3/25T	TB2017	-	34.9

Taper Bore - heavy duty cast iron

	A	C			E	F			E	F			E	F
38	153.79	158.6	T08B1/38T	TB2012	90.0	32.0	T08B2/38T	TB2012	100.0	32.0	T08B3/38T	TB2017	-	34.9
57	230.54	237.1	T08B1/57T	TB2012	110.0	32.0	T08B2/57T	TB2012	110.0	32.0	T08B3/57T	TB2017	110.0	45.0
76	307.33	313.9	T08B1/76T	TB2012	110.0	32.0	T08B2/76T	TB2012	110.0	32.0	T08B3/76T	TB2525	130.0	64.0
95	384.11	390.7	T08B1/95T	TB2012	110.0	32.0	T08B2/95T	TB2012	110.0	32.0	-	-	-	-
114	460.90	467.4	T08B1/114T	TB2017	110.0	32.0	T08B2/114T	TB2517	125.0	45.0	-	-	-	-

Rebore, keyway and setscrew modification service available - see page 81

For further information:

t: +44 (0) 161 498 4600

f: +44 (0) 161 498 4565

e: enquiry@renold.com

w: www.renold.com

Also available
from Renold



Roll-Ring Page 65
Chain tensioner




Pin Extractor Page 85
Cut chain by hand

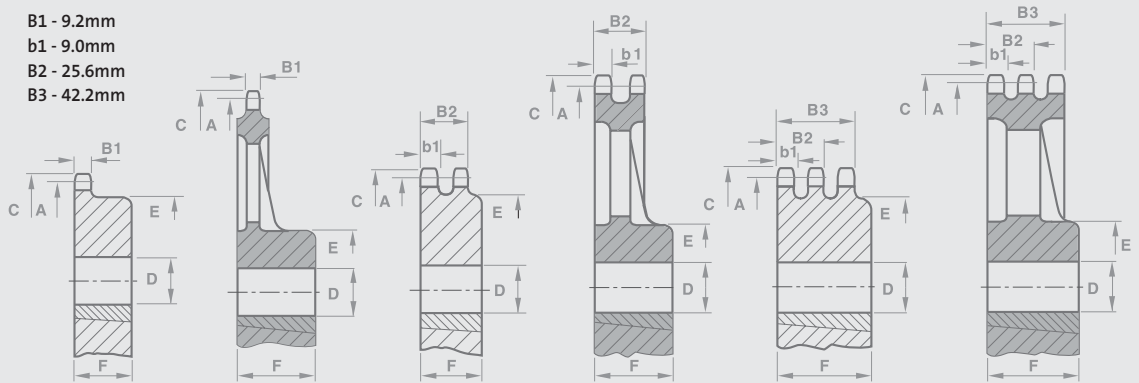
Transmission Sprockets

ISO 606 [15.875mm/0.625" Pitch]

Tooth Width SIMPLEX B1 - 9.2mm
 Tooth Width b1 - 9.0mm
 Tooth Width DUPLEX B2 - 25.6mm
 Tooth Width TRIPLEX B3 - 42.2mm

Key

-  Steel
-  Cast Iron



Technical Details (mm)			Simplex					Duplex					Triplex				
No. of Teeth	PCD	Top Diam.	Part No.	Bore	Bore	Boss Diam.	Dist. Thro.	Part No.	Bore	Bore	Boss Diam.	Dist. Thro.	Part No.	Bore	Bore	Boss Diam.	Dist. Thro.
				MIN	MAX				MIN	MAX				MIN	MAX		

Plain Bore - steel

	A	C		D	D	E	F		D	D	E	F		D	D	E	F
11	56.34	63.2	10B1/11T	12.0	25.0	37.0	30.0	10B2/11T	16.0	25.0	39.0	40.0	-	-	-	-	-
12	61.34	68.2	10B1/12T	12.0	28.0	42.0	30.0	10B2/12T	16.0	28.0	44.0	40.0	-	-	-	-	-
13	66.32	73.2	10B1/13T	12.0	30.0	47.0	30.0	10B2/13T	16.0	30.0	49.0	40.0	-	-	-	-	-
14	71.34	78.2	10B1/14T	12.0	32.0	52.0	30.0	10B2/14T	16.0	30.0	54.0	40.0	-	-	-	-	-
15	76.36	83.2	10B1/15T	12.0	32.0	57.0	30.0	10B2/15T	16.0	36.0	59.0	40.0	-	-	-	-	-
16	81.37	88.3	10B1/16T	12.0	36.0	60.0	30.0	-	-	-	-	-	-	-	-	-	-
17	86.39	93.3	10B1/17T	12.0	36.0	60.0	30.0	10B2/17T	16.0	42.0	69.0	45.0	-	-	-	-	-
18	91.42	98.3	10B1/18T	14.0	42.0	70.0	30.0	-	-	-	-	-	-	-	-	-	-
19	96.45	103.3	10B1/19T	14.0	42.0	70.0	30.0	10B2/19T	16.0	48.0	79.0	45.0	-	-	-	-	-
20	101.49	108.4	10B1/20T	14.0	45.0	75.0	30.0	10B2/20T	16.0	50.0	84.0	45.0	-	-	-	-	-
21	106.52	113.4	10B1/21T	16.0	45.0	75.0	30.0	10B2/21T	16.0	50.0	85.0	45.0	-	-	-	-	-
22	111.55	118.4	10B1/22T	16.0	48.0	80.0	30.0	-	-	-	-	-	-	-	-	-	-
23	116.58	123.5	10B1/23T	16.0	48.0	80.0	30.0	10B2/23T	16.0	60.0	95.0	45.0	-	-	-	-	-
24	121.62	128.5	10B1/24T	16.0	48.0	80.0	30.0	-	-	-	-	-	-	-	-	-	-
25	126.66	133.6	10B1/25T	16.0	48.0	80.0	30.0	10B2/25T	16.0	65.0	105.0	45.0	-	-	-	-	-
26	131.70	138.6	10B1/26T	20.0	50.0	85.0	35.0	-	-	-	-	-	-	-	-	-	-
27	136.75	143.6	10B1/27T	20.0	50.0	85.0	35.0	-	-	-	-	-	-	-	-	-	-
30	151.87	158.8	10B1/30T	20.0	55.0	90.0	35.0	10B2/30T	20.0	72.0	120.0	45.0	-	-	-	-	-
38	192.24	199.1	10B1/38T	20.0	60.0	100.0	35.0	-	-	-	-	-	-	-	-	-	-

Plain Bore - heavy duty cast iron

	A	C		D	D	E	F		D	D	E	F		D	D	E	F
57	288.18	296.6	10B1/57T	24.0	50.0	90.0	45.0	-	-	-	-	-	-	-	-	-	-
76	384.15	392.5	10B1/76T	28.0	50.0	90.0	52.0	-	-	-	-	-	-	-	-	-	-
95	480.14	488.5	10B1/95T	28.0	50.0	90.0	58.0	-	-	-	-	-	-	-	-	-	-
114	576.13	584.5	10B1/114T	38.0	75.0	130.0	58.0	-	-	-	-	-	-	-	-	-	-

Rebore, keyway and setscrew modification service available - see page 81

For further information:
 t: +44 (0) 161 498 4600
 f: +44 (0) 161 498 4565
 e: enquiry@renold.com
 w: www.renold.com

Also available from Renold



Roll-Ring Page 65
Chain tensioner



Pin Extractor Page 85
Cut chain by hand

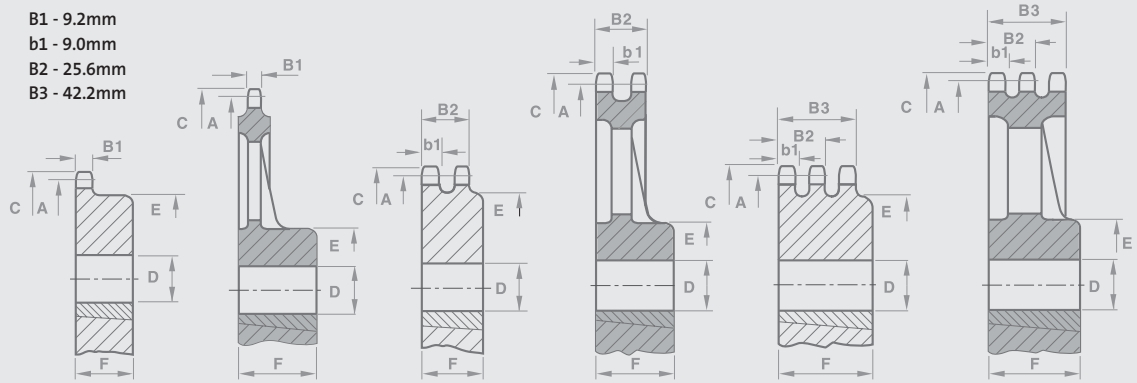
Transmission Sprockets

ISO 606 [15.875mm/0.625" Pitch]

Tooth Width SIMPLEX B1 - 9.2mm
 Tooth Width b1 - 9.0mm
 Tooth Width DUPLEX B2 - 25.6mm
 Tooth Width TRIPLEX B3 - 42.2mm

Key

-  Steel
-  Cast Iron



Technical Details (mm)			Simplex				Duplex				Triplex			
No. of Teeth	PCD	Top Diam.	Part No.	Taper Bush	Boss Diam.	Dist. Thro.	Part No.	Taper Bush	Boss Diam.	Dist. Thro.	Part No.	Taper Bush	Boss Diam.	Dist. Thro.

Taper Bore - steel

	A	C			E	F			E	F			E	F
15	76.36	83.2	T10B1/15T	TB1210	60.0	25.0	-	-	-	-	-	-	-	-
17	86.40	93.3	T10B1/17T	TB1610	71.0	25.0	-	-	-	-	-	-	-	-
19	96.45	103.3	T10B1/19T	TB1610	75.0	25.0	-	-	-	-	-	-	-	-
21	106.51	113.4	T10B1/21T	TB1610	76.0	25.0	-	-	-	-	-	-	-	-
23	116.59	123.5	T10B1/23T	TB1610	76.0	25.0	-	-	-	-	-	-	-	-
25	126.66	133.6	T10B1/25T	TB2012	90.0	32.0	-	-	-	-	-	-	-	-

Taper Bore - heavy duty cast iron

	A	C			E	F			E	F			E	F
38	151.87	158.8	T10B1/38T	TB2012	90.0	32.0	-	-	-	-	-	-	-	-
57	288.18	296.6	T10B1/57T	TB2012	110.0	32.0	-	-	-	-	-	-	-	-
76	384.15	392.5	T10B1/76T	TB2012	115.0	32.0	-	-	-	-	-	-	-	-
95	480.14	488.5	T10B1/95T	TB2012	115.0	45.0	-	-	-	-	-	-	-	-

Rebore, keyway and setscrew modification service available - see page 81

For further information:

t: +44 (0) 161 498 4600
 f: +44 (0) 161 498 4565
 e: enquiry@renold.com
 w: www.renold.com

Also available from Renold



Roll-Ring Page 65
Chain tensioner



Pin Extractor Page 85
Cut chain by hand

Transmission Sprockets

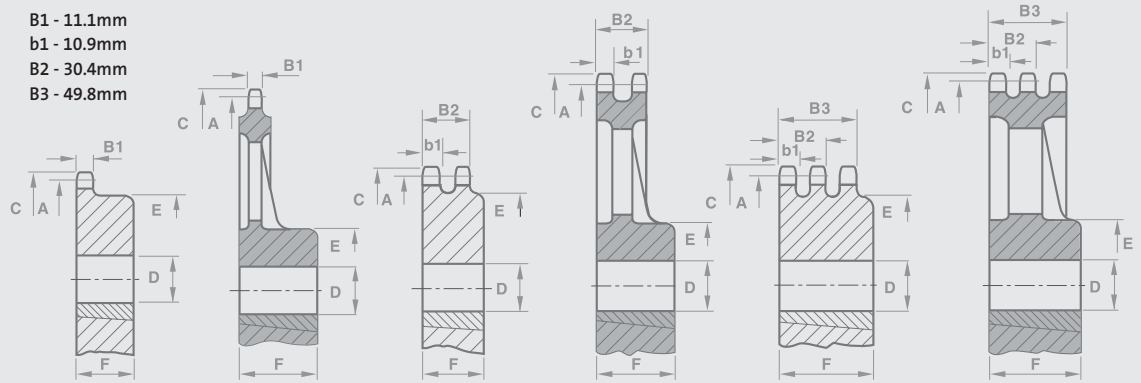
ISO 606 [19.05mm/0.750" Pitch]

Tooth Width SIMPLEX B1 - 11.1mm
 Tooth Width b1 - 10.9mm
 Tooth Width DUPLEX B2 - 30.4mm
 Tooth Width TRIPLEX B3 - 49.8mm

* Welded Hub

Key

 Steel
 Cast Iron



Technical Details (mm)			Simplex					Duplex					Triplex				
No. of Teeth	PCD	Top Diam.	Part No.	Bore	Bore	Boss Diam.	Dist. Thro.	Part No.	Bore	Bore	Boss Diam.	Dist. Thro.	Part No.	Bore	Bore	Boss Diam.	Dist. Thro.
				MIN	MAX				MIN	MAX				MIN	MAX		

Plain Bore - steel

	A	C		D	D	E	F		D	D	E	F		D	D	E	F
11	67.62	75.8	12B1/11T	16.0	30.0	46.0	35.0	12B2/11T	16.0	30.0	47.0	50.0	12B3/11T	20.0	30.0	47.0	70.0
12	73.60	81.8	12B1/12T	16.0	32.0	52.0	35.0	12B2/12T	16.0	32.0	53.0	50.0	12B3/12T	20.0	32.0	53.0	70.0
13	79.59	87.8	12B1/13T	16.0	38.0	58.0	35.0	12B2/13T	16.0	38.0	59.0	50.0	12B3/13T	20.0	38.0	59.0	70.0
14	85.61	93.8	12B1/14T	16.0	42.0	64.0	35.0	12B2/14T	20.0	42.0	65.0	50.0	12B3/14T	20.0	42.0	65.0	70.0
15	91.63	99.8	12B1/15T	16.0	48.0	70.0	35.0	12B2/15T	20.0	48.0	71.0	50.0	12B3/15T	20.0	48.0	71.0	70.0
16	97.65	105.8	12B1/16T	16.0	50.0	75.0	35.0	-	-	-	-	-	-	-	-	-	-
17	103.67	111.9	12B1/17T	16.0	53.0	80.0	35.0	12B2/17T	20.0	50.0	83.0	50.0	12B3/17T	20.0	50.0	83.0	70.0
18	109.71	117.9	12B1/18T	16.0	53.0	80.0	35.0	-	-	-	-	-	-	-	-	-	-
19	115.74	123.9	12B1/19T	16.0	53.0	80.0	35.0	12B2/19T	20.0	55.0	95.0	50.0	12B3/19T	20.0	55.0	95.0	70.0
20	121.78	130.0	12B1/20T	16.0	53.0	80.0	35.0	12B2/20T	20.0	60.0	100.0	50.0	12B3/20T	20.0	60.0	100.0	70.0
21	127.82	136.1	12B1/21T	20.0	55.0	90.0	40.0	12B2/21T	20.0	60.0	100.0	50.0	12B3/21T	25.0	60.0	100.0	70.0
22	133.86	142.1	12B1/22T	20.0	55.0	90.0	40.0	-	-	-	-	-	-	-	-	-	-
23	139.90	148.1	12B1/23T	20.0	55.0	90.0	40.0	12B2/23T	20.0	66.0	110.0	50.0	12B3/23T	25.0	66.0	110.0	70.0
24	145.94	154.1	12B1/24T	20.0	55.0	90.0	40.0	-	-	-	-	-	-	-	-	-	-
25	152.00	160.2	12B1/25T	20.0	55.0	90.0	40.0	12B2/25T	20.0	72.0	120.0	50.0	12B3/25T	25.0	72.0	120.0	70.0
26	158.04	166.2	12B1/26T	20.0	55.0	95.0	40.0	-	-	-	-	-	-	-	-	-	-
27	164.09	172.3	12B1/27T	20.0	55.0	95.0	40.0	12B2/27T	20.0	72.0	120.0	50.0	12B3/27T	25.0	72.0	120.0	70.0
30	182.25	190.4	12B1/30T	20.0	55.0	95.0	40.0	12B2/30T	20.0	72.0	120.0	50.0	12B3/30T	25.0	72.0	120.0	70.0
38	230.69	238.9	12B1/38T	25.0	60.0	100.0	40.0	12B2/38T*	25.0	72.0	120.0	50.0	12B3/38T*	25.0	78.0	130.0	70.0

Plain Bore - heavy duty cast iron

	A	C		D	D	E	F		D	D	E	F		D	D	E	F
57	345.81	355.9	12B1/57T	28.0	55.0	110.0	52.0	12B2/57T	38.0	65.0	115.0	64.0	12B3/57T	48.0	90.0	160.0	76.0
76	460.98	471.1	12B1/76T	35.0	55.0	110.0	58.0	12B2/76T	48.0	90.0	155.0	76.0	12B3/76T	55.0	90.0	165.0	76.0
95	576.17	586.2	12B1/95T	38.0	65.0	110.0	64.0	12B2/95T	55.0	90.0	155.0	76.0	12B3/95T	38.0	100.0	172.0	76.0

Rebore, keyway and setscrew modification service available - see page 81

Transmission Sprockets

ISO 606 [19.05mm/0.750" Pitch]




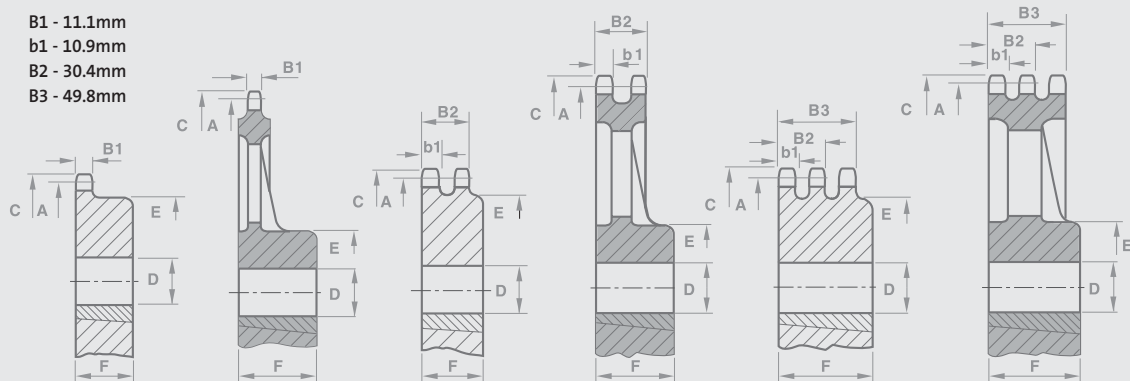
Tooth Width SIMPLEX B1 - 11.1mm
 Tooth Width b1 - 10.9mm
 Tooth Width DUPLEX B2 - 30.4mm
 Tooth Width TRIPLEX B3 - 49.8mm

* Welded Hub

Key

 Steel

 Cast Iron



Technical Details (mm)			Simplex				Duplex				Triplex			
No. of Teeth	PCD	Top Diam.	Part No.	Taper Bush	Boss Diam.	Dist. Thro.	Part No.	Taper Bush	Boss Diam.	Dist. Thro.	Part No.	Taper Bush	Boss Diam.	Dist. Thro.

Taper Bore - steel

	A	C			E	F			E	F			E	F
15	91.63	99.8	12B1/15T	TB1610	71.0	25.0	12B2/15T	TB1615	72.0	38.0	12B3/15T	TB1615	-	49.8
17	103.67	111.9	12B1/17T	TB1610	76.0	25.0	12B2/17T	TB1615	80.0	38.0	12B3/17T	TB2012	-	49.8
19	115.74	123.9	12B1/19T	TB2012	90.0	32.0	12B2/19T	TB2012	90.0	32.0	12B3/19T	TB2012	-	49.8
21	127.82	136.0	12B1/21T	TB2517	102.0	44.0	12B2/21T	TB2517	107.0	44.0	12B3/21T	TB2517	-	49.8
23	139.90	148.1	12B1/23T	TB2517	108.0	44.0	12B2/23T	TB2517	108.0	44.0	12B3/23T	TB2517	-	49.8
25	152.00	160.2	12B1/25T	TB2517	108.0	44.0	12B2/25T	TB2517	108.0	44.0	12B3/25T	TB2517	-	49.8

Taper Bore - heavy duty cast iron

	A	C			E	F			E	F			E	F
38	230.69	238.9	T12B1/38T	TB2517	108.0	44.0	T12B2/38T	TB3020	140.0	51.0	T12B3/38T	TB3020	140.0	51.0
76	460.98	471.1	T12B1/76T	TB2517	125.0	45.0	T12B2/76T	TB3020	155.0	51.0	T12B3/76T	TB3020	160.0	51.0
95	576.17	586.2	T12B1/95T	TB2517	130.0	45.0	T12B2/95T	TB3020	155.0	51.0	T12B3/95T	TB3030	172.0	76.0

Rebore, keyway and setscrew modification service available - see page 81

For further information:

t: +44 (0) 161 498 4600
 f: +44 (0) 161 498 4565
 e: enquiry@renold.com
 w: www.renold.com

Also available from Renold



Roll-Ring Page 65
Chain tensioner



Pin Extractor Page 85
Cut chain by hand

Transmission Sprockets

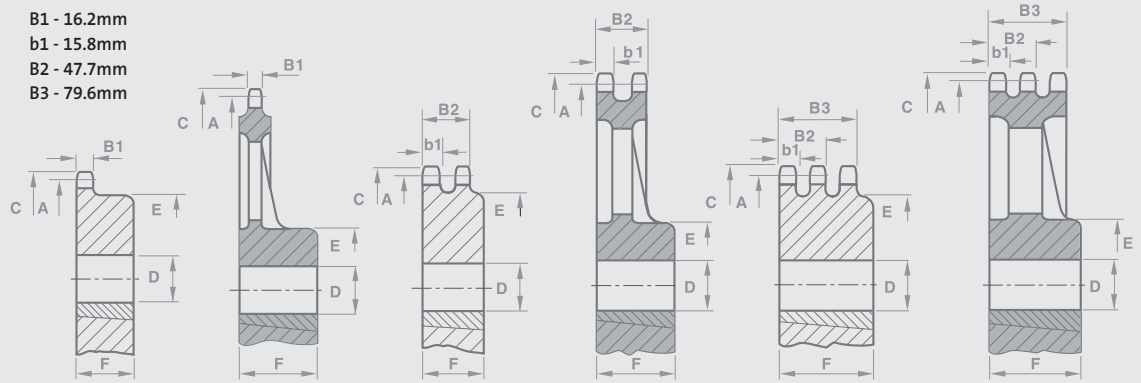
ISO 606 [25.4mm/1.000" Pitch]

Tooth Width SIMPLEX B1 - 16.2mm
 Tooth Width b1 - 15.8mm
 Tooth Width DUPLEX B2 - 47.7mm
 Tooth Width TRIPLEX B3 - 79.6mm

* Welded Hub

Key

 Steel
 Cast Iron



Technical Details (mm)			Simplex					Duplex					Triplex				
No. of Teeth	PCD	Top Diam.	Part No.	Bore	Bore	Boss Diam.	Dist. Thro.	Part No.	Bore	Bore	Boss Diam.	Dist. Thro.	Part No.	Bore	Bore	Boss Diam.	Dist. Thro.
				MIN	MAX				MIN	MAX				MIN	MAX		

Plain Bore - steel

	A	C	D	D	E	F	D	D	E	F	D	D	E	F			
11	90.14	101.7	16B1/11T	16.0	40.0	61.0	40.0	16B2/11T	20.0	44.0	64.0	70.0	16B3/11T	25.0	44.0	64.0	100.0
12	98.14	109.7	16B1/12T	16.0	45.0	69.0	40.0	16B2/12T	20.0	45.0	72.0	70.0	16B3/12T	25.0	45.0	72.0	100.0
13	106.12	117.7	16B1/13T	16.0	50.0	78.0	40.0	16B2/13T	20.0	50.0	80.0	70.0	16B3/13T	25.0	50.0	80.0	100.0
14	114.15	125.7	16B1/14T	16.0	55.0	84.0	40.0	16B2/14T	20.0	55.0	88.0	70.0	16B3/14T	25.0	55.0	88.0	100.0
15	122.17	133.7	16B1/15T	16.0	60.0	92.0	40.0	16B2/15T	20.0	60.0	96.0	70.0	16B3/15T	25.0	60.0	96.0	100.0
16	130.20	141.8	16B1/16T	20.0	60.0	100.0	45.0	-	-	-	-	-	-	-	-	-	-
17	138.22	149.8	16B1/17T	20.0	60.0	100.0	45.0	16B2/17T	25.0	72.0	112.0	70.0	16B3/17T	25.0	72.0	112.0	100.0
18	146.28	157.8	16B1/18T	20.0	60.0	100.0	45.0	-	-	-	-	-	-	-	-	-	-
19	154.33	165.9	16B1/19T	20.0	60.0	100.0	45.0	16B2/19T	25.0	82.0	128.0	70.0	16B3/19T	25.0	82.0	128.0	100.0
20	162.38	173.9	16B1/20T	20.0	60.0	100.0	45.0	16B2/20T	25.0	85.0	130.0	70.0	16B3/20T	25.0	85.0	130.0	100.0
21	170.43	182.0	16B1/21T	20.0	70.0	110.0	50.0	16B2/21T	25.0	85.0	130.0	70.0	16B3/21T*	25.0	85.0	130.0	100.0
22	178.48	190.1	16B1/22T	20.0	70.0	110.0	50.0	-	-	-	-	-	-	-	-	-	-
23	186.53	198.1	16B1/23T	20.0	70.0	110.0	50.0	16B2/23T*	25.0	85.0	130.0	70.0	16B3/23T*	25.0	85.0	130.0	100.0
24	194.59	206.2	16B1/24T	20.0	70.0	110.0	50.0	-	-	-	-	-	-	-	-	-	-
25	202.66	214.2	16B1/25T	20.0	70.0	110.0	50.0	16B2/25T*	25.0	85.0	130.0	70.0	16B3/25T*	25.0	85.0	130.0	100.0
26	210.72	222.3	16B1/26T	20.0	75.0	120.0	50.0	-	-	-	-	-	-	-	-	-	-
27	218.79	230.4	16B1/27T	20.0	75.0	120.0	50.0	16B2/27T*	25.0	85.0	130.0	70.0	16B3/27T*	30.0	85.0	130.0	100.0
30	243.00	254.6	16B1/30T	20.0	75.0	120.0	50.0	16B2/30T*	25.0	85.0	130.0	70.0	16B3/30T*	30.0	85.0	130.0	100.0
38	307.59	319.2	16B1/38T*	25.0	75.0	120.0	50.0	16B2/38T*	25.0	90.0	140.0	70.0	16B3/38T*	30.0	90.0	140.0	100.0

Plain Bore - heavy duty cast iron

	A	C	D	D	E	F	D	D	E	F	D	D	E	F			
57	461.08	474.9	16B1/57T	35.0	75.0	130.0	76.0	16B2/57T	38.0	100.0	178.0	89.0	16B3/57T	48.0	110.0	216.0	102.0
76	614.64	628.4	16B1/76T	35.0	75.0	135.0	76.0	16B2/76T	48.0	100.0	178.0	89.0	16B3/76T	55.0	110.0	216.0	102.0
95	768.22	782.0	16B1/95T	48.0	75.0	135.0	90.0	16B2/95T	48.0	110.0	216.0	102.0	16B3/95T	55.0	110.0	216.0	102.0
114	921.82	935.6	16B1/114T	38.0	100.0	172.0	98.0	16B2/114T	48.0	110.0	203.0	114.0	16B3/114T	55.0	125.0	222.0	127.0

Rebore, keyway and setscrew modification service available - see page 81

Transmission Sprockets

ISO 606 [25.4mm/1.000" Pitch]




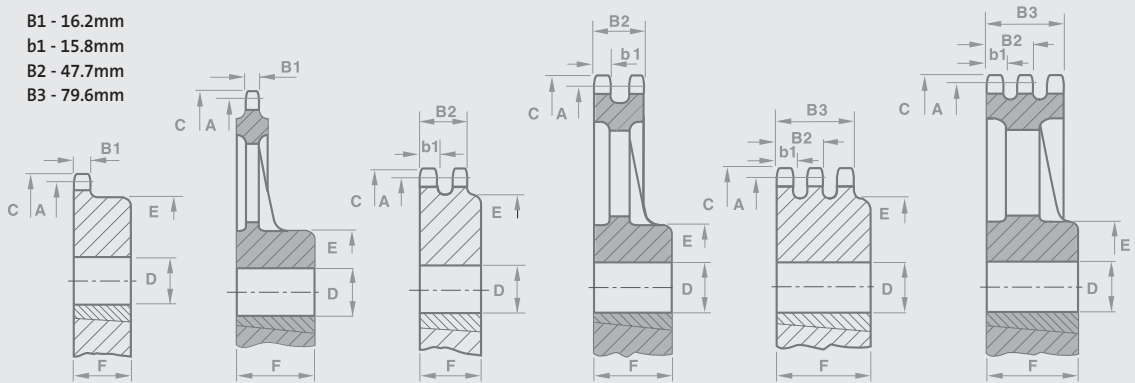
Tooth Width SIMPLEX B1 - 16.2mm
 Tooth Width b1 - 15.8mm
 Tooth Width DUPLEX B2 - 47.7mm
 Tooth Width TRIPLEX B3 - 79.6mm

* Welded Hub

Key

 Steel

 Cast Iron



Technical Details (mm)			Simplex				Duplex				Triplex			
No. of Teeth	PCD	Top Diam.	Part No.	Taper Bush	Boss Diam.	Dist. Thro.	Part No.	Taper Bush	Boss Diam.	Dist. Thro.	Part No.	Taper Bush	Boss Diam.	Dist. Thro.

Taper Bore - steel

	A	C			E	F			E	F			E	F
15	122.17	133.7	T16B1/15T	TB1615	76.0	38.0	T16B2/15T	TB2012	-	47.7	-	-	-	-
17	138.23	149.8	T16B1/17T	TB2012	90.0	32.0	T16B2/17T	TB2517	-	47.7	T16B3/17T	TB2525	-	79.6
19	154.32	165.9	T16B1/19T	TB2517	108.0	44.0	T16B2/19T	TB2517	-	47.7	T16B3/19T	TB3030	-	79.6
21	170.42	182.0	T16B1/21T	TB2517	110.0	44.0	T16B2/21T	TB3020	140.0	51.0	T16B3/21T	TB3030	-	79.6
23	186.54	198.1	T16B1/23T	TB2517	110.0	44.0	T16B2/23T	TB3020	140.0	51.0	T16B3/23T	TB3535	159.0	89.0
25	202.66	214.2	T16B1/25T	TB2517	110.0	44.0	T16B2/25T	TB3020	140.0	51.0	T16B3/25T	TB3535	175.0	89.0

Taper Bore - heavy duty cast iron

	A	C			E	F			E	F			E	F
38	307.58	319.2	T16B1/38T	TB3020	155.0	51.0	T16B2/38T	TB3030	159.0	76.0	T16B3/38T	TB3535	178.0	89.0
57	461.08	474.9	T16B1/57T	TB3020	155.0	51.0	T16B2/57T	TB3535	178.0	89.0	T16B3/57T	TB4040	216.0	102.0
76	614.64	628.4	T16B1/76T	TB3020	160.0	51.0	T16B2/76T	TB3535	178.0	89.0	T16B3/76T	TB4040	216.0	102.0
95	768.22	782.0	T16B1/95T	TB3020	160.0	51.0	T16B2/95T	TB4040	216.0	102.0	T16B3/95T	TB4040	216.0	102.0

Rebore, keyway and setscrew modification service available - see page 81

For further information:

t: +44 (0) 161 498 4600

f: +44 (0) 161 498 4565

e: enquiry@renold.com

w: www.renold.com

Also available from Renold



Roll-Ring Page 65
Chain tensioner



Pin Extractor Page 85
Cut chain by hand

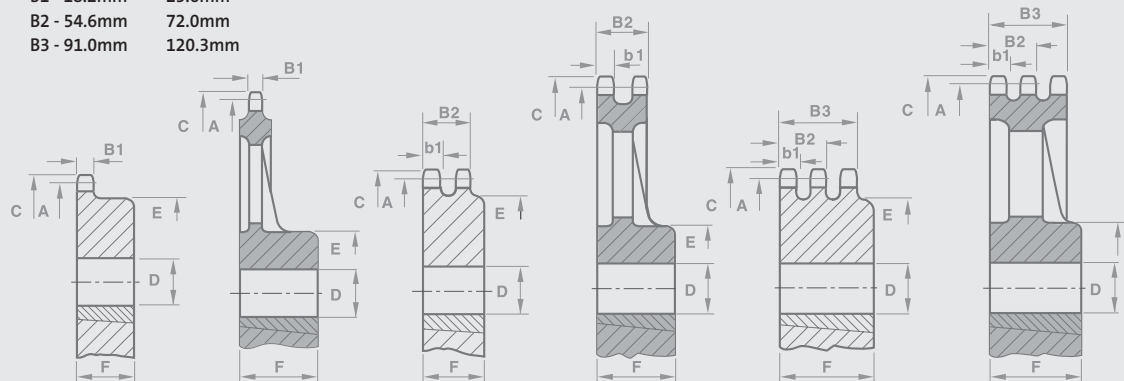
Transmission Sprockets

ISO606 [31.75mm to 38.10mm/1.25" to 1.5" Pitch]

	Sprocket Size	
	1.25" pitch	1.5" pitch
Tooth Width SIMPLEX	B1 - 18.5mm	24.1mm
Tooth Width	b1 - 18.2mm	23.6mm
Tooth Width DUPLEX	B2 - 54.6mm	72.0mm
Tooth Width TRIPLEX	B3 - 91.0mm	120.3mm

* Welded Hub

Key



Technical Details (mm)			Simplex				Duplex				Triplex						
No. of Teeth	PCD	Top Diam.	Part No.	Bore	Bore	Boss Diam.	Dist. Thro.	Part No.	Bore	Bore	Boss Diam.	Dist. Thro.	Part No.	Bore	Bore	Boss Diam.	Dist. Thro.
				MIN	MAX				MIN	MAX				MIN	MAX		

1.25" Plain Bore - steel

	A	C		D	D	E	F		D	D	E	F		D	D	E	F
17	172.80	190.75	20B1/17T	25.0	85.0	120.0	50.0	20B2/17T	30.0	85.0	120.0	80.0	20B3/17T	30.0	85.0	120.0	115.0
19	192.89	210.26	20B1/19T	25.0	85.0	120.0	50.0	20B2/19T	30.0	85.0	120.0	80.0	20B3/19T	30.0	85.0	120.0	115.0
21	213.03	232.41	20B1/21T	30.0	100.0	140.0	55.0	20B2/21T	30.0	100.0	140.0	80.0	20B3/21T	30.0	100.0	140.0	115.0
23	233.17	252.22	20B1/23T	30.0	100.0	140.0	55.0	20B2/23T	30.0	100.0	140.0	80.0	20B3/23T	30.0	100.0	140.0	115.0
25	253.31	272.03	20B1/25T	30.0	100.0	140.0	55.0	20B2/25T	30.0	100.0	140.0	80.0	20B3/25T	30.0	100.0	140.0	115.0

1.25" Plain Bore - heavy duty cast iron

	A	C		D	D	E	F		D	D	E	F		D	D	E	F
38	384.48	402.08	20B1/38T	30.0	105.0	150.0	55.0	20B2/38T	30.0	105.0	150.0	80.0	20B3/38T	30.0	105.0	150.0	115.0
57	576.35	593.34	20B1/57T	48.0	95.0	170.0	81.0	20B2/57T	65.0	110.0	206.0	127.0	20B3/57T	70.0	125.0	222.0	147.0
76	768.30	784.86	20B1/76T	55.0	100.0	178.0	89.0	20B2/76T	70.0	125.0	224.0	140.0	20B3/76T	85.0	140.0	254.0	163.0

1.5" Plain Bore - steel

	A	C		D	D	E	F		D	D	E	F		D	D	E	F
17	207.34	225.55	24B1/17T	25.0	95.0	136.0	55.0	24B2/17T	30.0	95.0	136.0	100.0	24B3/17T	30.0	95.0	136.0	150.0
19	231.47	248.67	24B1/19T	25.0	95.0	136.0	55.0	24B2/19T	30.0	95.0	160.0	100.0	24B3/19T	30.0	114.0	160.0	150.0
21	255.63	276.61	24B1/21T	30.0	105.0	150.0	60.0	24B2/21T	30.0	114.0	160.0	100.0	24B3/21T	40.0	114.0	160.0	150.0
23	279.81	300.23	24B1/23T	30.0	105.0	150.0	60.0	24B2/23T	30.0	114.0	160.0	100.0	24B3/23T	40.0	114.0	160.0	150.0
25	303.99	324.10	24B1/25T	30.0	105.0	150.0	60.0	24B2/25T	30.0	114.0	160.0	100.0	24B3/25T	40.0	114.0	160.0	150.0

1.5" Plain Bore - heavy duty cast iron

	A	C		D	D	E	F		D	D	E	F		D	D	E	F
38	461.37	479.81	24B1/38T	30.0	105.0	150.0	60.0	24B2/38T	40.0	114.0	160.0	100.0	24B3/38T	40.0	114.0	160.0	150.0
57	691.62	708.91	24B1/57T	60.0	110.0	196.0	122.0	24B2/57T	80.0	140.0	254.0	152.0	24B3/57T	90.0	150.0	267.0	175.0
76	921.97	938.78	24B1/76T	65.0	125.0	216.0	135.0	24B2/76T	85.0	150.0	267.0	168.0	24B3/76T	100.0	170.0	297.0	193.0

Rebore, keyway and setscrew modification service available - see page 81

For further information:

t: +44 (0) 161 498 4600
 f: +44 (0) 161 498 4565
 e: enquiry@renold.com
 w: www.renold.com

Also available from Renold



Roll-Ring Page 65
Chain tensioner



Pin Extractor Page 85
Cut chain by hand

Transmission Sprockets

ISO606 [44.45mm to 50.8mm/1.75" to 2.0" Pitch]

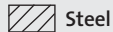
Sprocket Size

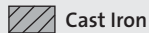
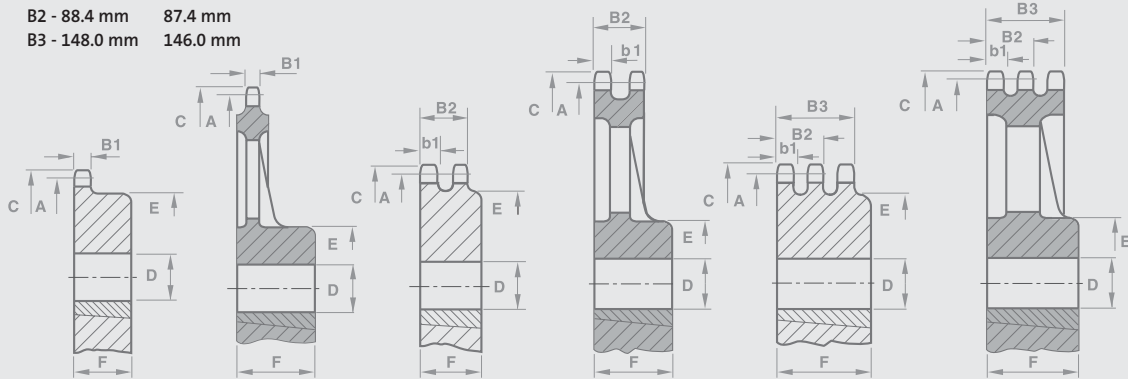
	1.75" pitch	2.0" pitch
Tooth Width SIMPLEX	B1 - 29.4 mm	29.4 mm
Tooth Width	b1 - 28.8 mm	28.8 mm
Tooth Width DUPLEX	B2 - 88.4 mm	87.4 mm
Tooth Width TRIPLEX	B3 - 148.0 mm	146.0 mm

Tooth Width SIMPLEX
Tooth Width
Tooth Width DUPLEX
Tooth Width TRIPLEX

* Welded Hub

Key

 Steel

 Cast Iron


Technical Details (mm)			Simplex				Duplex				Triplex						
No. of Teeth	PCD	Top Diam.	Part No.	Bore	Bore	Boss Diam.	Dist. Thro.	Part No.	Bore	Bore	Boss Diam.	Dist. Thro.	Part No.	Bore	Bore	Boss Diam.	Dist. Thro.
				MIN	MAX				MIN	MAX				MIN	MAX		

1.75" Plain Bore - steel

	A	C		D	D	E	F		D	D	E	F		D	D	E	F
19	270.05	292.61	28B1/19T	30.0	114.0	160.0	75.0	28B2/19T	30.0	128.0	180.0	120.0	28B3/19T	30.0	128.0	180.0	180.0
21	298.25	324.36	28B1/21T	30.0	114.0	160.0	75.0	28B2/21T	30.0	128.0	180.0	120.0	28B3/21T	40.0	128.0	180.0	180.0
23	326.44	352.04	28B1/23T	30.0	114.0	160.0	75.0	28B2/23T	30.0	128.0	180.0	120.0	28B3/23T	40.0	128.0	180.0	180.0
25	354.66	379.98	28B1/25T	30.0	114.0	160.0	75.0	28B2/25T	30.0	128.0	180.0	120.0	28B3/25T	40.0	128.0	180.0	180.0

1.75" Plain Bore - heavy duty cast iron

	A	C		D	D	E	F		D	D	E	F		D	D	E	F
38	538.28	538.28	28B1/38T	30.0	128.0	180.0	75.0	28B2/38T	40.0	142.0	200.0	120.0	28B3/38T	40.0	142.0	200.0	180.0
57	806.88	829.31	28B1/57T	70.0	125.0	224.0	147.0	28B2/57T	100.0	150.0	267.0	165.0	28B3/57T	105.0	188.0	264.0	165.0
76	1075.61	1097.53	28B1/76T	85.0	140.0	244.0	165.0	28B2/76T	100.0	150.0	267.0	165.0	28B3/76T	120.0	202.0	284.0	178.0

2.0" Plain Bore - steel

	A	C		D	D	E	F		D	D	E	F		D	D	E	F
19	308.64	337.82	32B1/19T	30.0	114.0	160.0	90.0	32B2/19T	40.0	142.0	200.0	120.0	32B3/19T	40.0	142.0	200.0	180.0
21	340.84	372.66	32B1/21T	40.0	128.0	180.0	90.0	32B2/21T	40.0	142.0	200.0	120.0	32B3/21T	40.0	142.0	200.0	180.0
23	373.08	404.37	32B1/23T	40.0	128.0	180.0	90.0	32B2/23T	40.0	142.0	200.0	120.0	32B3/23T	40.0	142.0	200.0	180.0
25	405.31	436.12	32B1/25T	40.0	128.0	180.0	90.0	32B2/25T	40.0	142.0	200.0	120.0	32B3/25T	40.0	142.0	200.0	180.0

2.0" Plain Bore - heavy duty cast iron

	A	C		D	D	E	F		D	D	E	F		D	D	E	F
38	615.16	644.40	32B1/38T	40.0	142.0	200.0	90.0	32B2/38T	100.0	174.0	244.0	165.0	32B3/38T	105.0	188.0	264.0	165.0
57	922.17	950.47	32B1/57T	85.0	174.0	244.0	165.0	32B2/57T	105.0	188.0	264.0	165.0	32B3/57T	120.0	202.0	284.0	178.0
76	1229.28	1275.05	32B1/76T	100.0	190.0	267.0	165.0	32B2/76T	120.0	202.0	284.0	178.0	32B3/76T	130.0	232.0	325.0	191.0

Rebore, keyway and setscrew modification service available - see page 81

For further information:

t: +44 (0) 161 498 4600

f: +44 (0) 161 498 4565

e: enquiry@renold.com

w: www.renold.com

Also available
from Renold



Roll-Ring Page 65
Chain tensioner



Pin Extractor Page 85
Cut chain by hand

Transmission Sprockets

Modifications and Specials

Renold large pitch sprockets

Detailed in this catalogue are SIMPLE, DUPLEX and TRIPLEX sprockets for British Standard Roller Chain up to 1.00" pitch. 1.25" to 2.00" pitch sprockets are available to Renold specifications from stock. For more details contact Renold Chain. Renold also manufacture sprockets of intermediate numbers of teeth to suit single or multi-strand chains.

Special sprockets

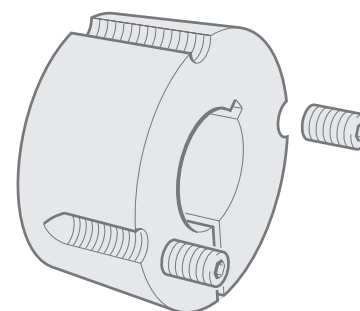
In addition to this stock range, special design sprockets in normal or special materials can be manufactured to specific requirements.

American (ANSI) standard sprockets

Sprockets to suit chain manufactured to ANSI specification B 29.1 are made to order.

Rebore, Keyway and Setscrew modification service

Catalogued stock sprockets are supplied either taper bored or pilot bored. This pilot bore allows a larger finished bore to standard H8 tolerances to be machined. A bore to H7 tolerance can also be supplied on request. Keyways to imperial or metric specifications and setscrews can also be machined. A rebore, keyway and setscrew modification service is available and further details can be obtained on request.



Taper bushes

Taper bushes provide the quickest and simplest means of securing sprockets to a range of both imperial and metric shafts and are designed to give maximum grip.

Our range of taper bushes are fully interchangeable with most other makes of taper bush.

The taper surface to both the bush and sprocket combine to provide a load bearing connection by the lock action of the hardened high tensile screws.

Bush No.	Available Bore Sizes - Metric mm																		
TB1008	9	10	12	14	16	18	19	20	22	24	25								
TB1210	11	12	14	16	18	19	20	22	24	25	28	30	32						
TB1215	11	12	14	16	18	19	20	22	24	25	28	30	32						
TB1610	14	16	18	19	20	22	24	25	28	30	32	35	38	40	42				
TB1615	14	16	18	19	20	22	24	25	28	30	32	35	38	40	42				
TB2012	14	16	18	19	20	22	24	25	28	30	32	35	38	40	42	44	45	48	50
TB2017	18	19	20	22	24	25	28	30	32	35	38	40	42	45	48	50			
TB2517	16	18	19	20	22	24	25	28	30	32	35	38	40	42	45	48	50	55	60
TB2525	19	20	22	24	25	28	30	32	35	38	40	42	45	48	50	55	60		
TB3020	25	28	30	32	35	38	40	42	45	48	50	55	60	65	70	75			
TB3030	35	38	40	42	45	48	50	55	60	65	70	75							
TB3535	35	38	40	42	45	48	50	55	60	65	70	75	80	85	90				
TB4040	40	42	45	48	50	55	60	65	70	75	80	85	90	95	100				

Bush No.	Available Bore Sizes - Metric mm																		
TB1008	0.375	0.437	0.50	0.625	0.750	1.000	19	20	22	24	25								
TB1210	0.50	0.625	0.750	1.00	1.125	1.250	20	22	24	25	28	30	32						
TB1215	0.50	0.562	0.625	0.750	0.875	1.00	1.125	1.250	24	25	28	30	32						
TB1610	0.50	0.625	0.750	0.875	1.00	1.125	1.250	1.50	1.625	30	32	35	38	40	42				
TB1615	0.50	0.625	0.750	0.875	1.00	1.125	1.250	1.375	1.437	1.50	1.625	35	38	40	42				
TB2012	0.50	0.625	0.750	0.975	1.00	1.125	1.250	1.375	1.50	1.625	1.750	1.875	2.00	40	42	44	45	48	50
TB2017	0.75	0.812	0.875	0.937	1.00	1.125	1.250	1.375	1.437	1.50	1.625	1.750	1.875	2.00	48	50			
TB2517	0.75	0.875	1.00	1.125	1.250	1.375	1.437	1.50	1.625	1.750	1.875	2.00	2.125	2.250	2.375	2.500	50	55	60
TB2525	1.00	1.125	1.250	1.375	1.50	1.625	1.750	1.875	2.00	2.125	2.250	2.375	2.500	48	50	55	60		
TB3020	1.250	1.375	1.50	1.625	1.750	1.875	2.00	2.125	2.250	2.375	2.50	2.625	2.750	2.875	3.00	75			
TB3030	1.375	1.500	1.625	1.750	1.875	2.00	2.125	2.250	2.375	2.50	2.625	2.750	2.875	3.00					
TB3535	1.625	1.750	1.875	2.00	2.125	2.250	2.375	2.50	2.625	2.750	2.875	3.00	3.125	3.250	3.375	3.50			
TB4040	2.00	2.125	2.250	2.375	2.50	2.625	2.750	2.875	3.00	3.125	3.250	3.375	3.50	3.625	3.750	4.00			

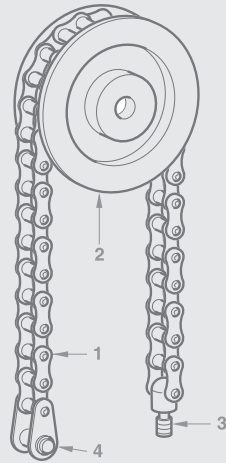
When ordering specify both the bush number and bore size required.

Transmission Counterweight Sets

Key

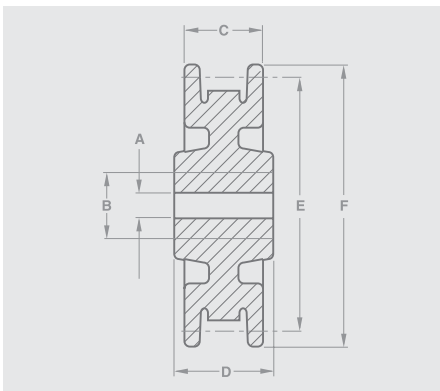
1. Chain
2. Guide pulley
3. Anchor stud
4. End attachment link

Unlike link chains, roller chains are exempt from annual annealing requirements for this type of application.



Guide pulleys

Dimensions (mm)



Renold Chain No.	Part No.	Stock Bore	Max Bore	Width Over Flanges	Distance Through Boss	Chain Pitch Diam.	Outside Dia
		A	B	C	D	E	F

Standard Roller Chains

111046	661200	12.000	25.000	23.000	25.000	80.140	89.000
08B1	661201*	12.000	25.000	28.000	32.000	85.980	95.000
10B1	661202*	14.000	32.000	31.000	38.000	105.410	114.000
12B1	661203*	19.000	35.000	38.000	45.000	126.370	140.000
16B1	661204*	30.000	50.000	54.000	64.000	171.580	191.000

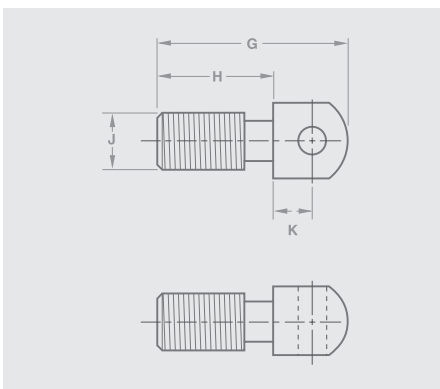
Extended Pitch Roller Chains

208B1GF	661201	12.000	25.000	28.000	32.000	85.980	95.000
210B1GF	661202	14.000	32.000	31.000	38.000	105.410	114.000
212B1GF	661203	19.000	35.000	38.000	45.000	126.370	140.000
216B1	661204	30.000	50.000	54.000	64.000	171.580	191.000

* Sprockets can be supplied for use with these chains.

Anchor Studs

Dimensions (mm)



Renold Chain No.	Part No.	Overall Length Max	Thread Length Max	Metric Thread Size	Pin to Shoulder Max
		G	H	J	K

Standard roller chains

08B1	661031	27.000	16.400	M8-1.25	5.720
08B1	661032	32.000	20.000	M10-1.50	6.860
10B1	661033	41.000	26.000	M12-1.75	7.820
12B1	661034	44.000	26.000	M16-2.00	9.140
16B1	661035	62.000	39.000	M20-2.50	11.810

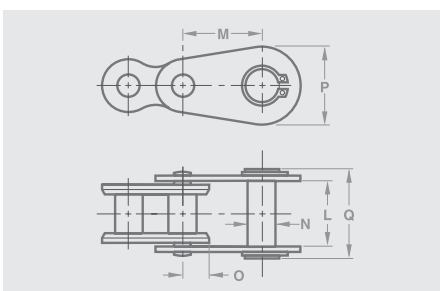
Extended Pitch Roller Chains

208B1GF	661032	32.000	20.000	M10-1.50	6.860
210B1GF	661033	41.000	26.000	M12-1.75	7.820
212B1GF	661034	44.000	26.000	M16-2.00	9.140
216B1	661035	62.000	39.000	M20-2.50	11.810

* Sprockets can be supplied for use with these chains.

End attachment links

Dimensions (mm)



Renold Chain No.	Part No.	Stock Bore	Max Bore	Width Over Flanges	Distance Through Boss	Chain Pitch Diam.	Outside Dia
		L	M	N	O	P	Q

Standard Roller Chains

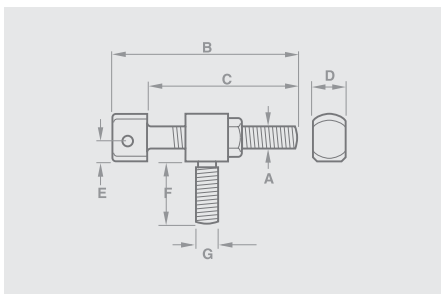
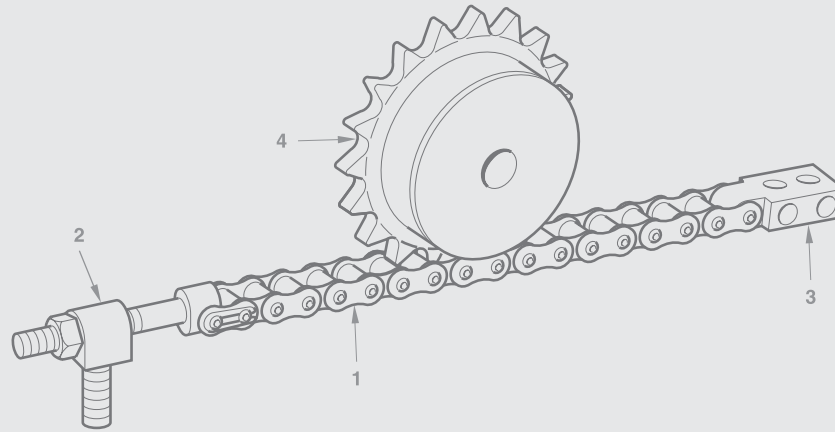
08B1	111046/230	7.600	19.050	8.000	5.800	17.000	19.000
08B1	110046/230*	11.400	19.050	8.000	5.800	18.300	24.000
10B1	111056/230*	13.400	25.400	10.000	6.700	21.000	27.000
12B1	111066/230*	15.700	31.750	11.000	7.800	26.000	30.000
16B1	111088/230*	25.600	38.100	16.000	10.300	35.400	42.500

Part No. 230 comprises end attachment link riveted to an inner link (No.4) and is supplied complete. It is secured to chain by means of an outer link (No. 107).

Transmission Rack Sets

Key

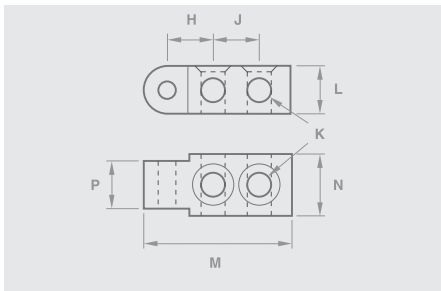
- 1. Chain
- 2. Draw bolt and block
- 3. Anchor plate
- 4. Sprocket



Draw Bolt and Block

Dimensions (mm)

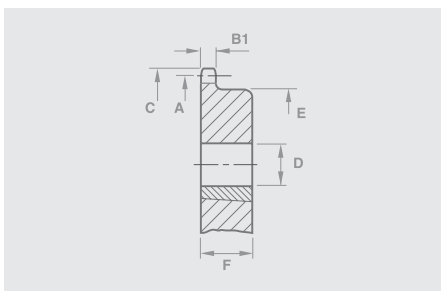
Renold Chain No.	Part No.	Metric Thread Size	Overall Length Max	Length Under Head Max	Head Width Max	Base to Chain Centre	Block Thread Length	Metric Thread Size
		A	B	C	D	E	F	G
08B1	661410	M08-1.25	63.000	51.000	11.200	5.080	19.600	M12-1.75
10B1	661411	M10-1.50	78.000	64.000	13.100	7.100	26.000	M16-2.00
12B1	661412	M12-1.75	90.000	73.000	15.500	8.600	26.000	M16-2.00
16B1	661413	M16-2.00	126.000	104.000	25.200	11.170	39.000	M20-2.50



Anchor Plate

Dimensions (mm)

Renold Chain No.	Part No.	Bolt Hole to Chain Pin Nom	Bolt Hole Pitch Nom	Hole Dia Min	Block Depth	Overall Length Max	Block Width	Chain Width Max
		A	B	C	D	E	F	G
08B1	661310	12.700	12.700	5.300	12.700	40.000	15.900	11.200
10B1	661311	15.900	20.300	8.400	15.900	55.000	22.300	13.100
12B1	661312	15.900	20.300	8.400	17.500	58.000	22.300	15.500
16B1	661313	25.400	28.000	10.500	22.200	84.000	31.800	25.200



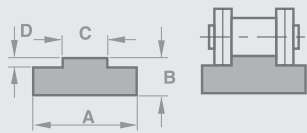
Sprockets

Dimensions (mm)

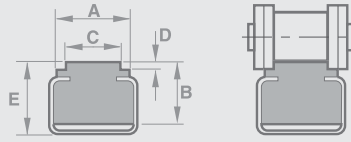
Renold Chain No.	Part No.	No. of Teeth	PCD	Top Dia	Bore Min	Bore Max	Boss Dia	Dist' Thro'
		A	B	C	D	E	F	G
08B1	212461	19	77.160	82.000	12	40.000	60.000	28.000
10B1	213011	19	96.450	103.300	42	70.000	70.000	30.000
12B1	213461	19	115.740	123.900	16	53.000	80.000	35.000
16B1	214011	19	154.330	165.900	20	60.000	100.000	45.000

See pages 69 - 80 for dimension B1

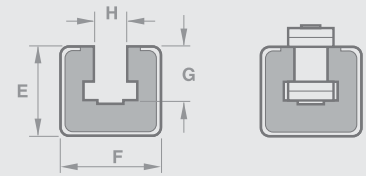
Roller Chain Guides



Plastic Guide Rails
Horizontal - T-Profile



Plastic Guide Rails
Steel Reinforced Horizontal



Plastic Guide Rails
Steel Reinforced Vertical

Plastic Guide Rails Horizontal

Dimensions (mm)

Chain ISO No.	Part No.	A	B	C	D
06B-1	T1 021 510	15.000	10.000	5.500	1.500
08B-1	T1 052 010	20.000	10.000	7.500	2.200
08B-1	T1 052 015	20.000	15.000	7.500	2.200
10B-1	T1 072 010	20.000	10.000	9.300	2.600
10B-1	T1 072 015	20.000	15.000	9.300	2.600
12B-1	T1 082 515	25.000	15.000	11.300	2.400
12B-1	T1 082 520	25.000	20.000	11.300	2.400
16B-1	T1 094 015	40.000	15.000	16.500	3.500
16B-1	T1 094 020	40.000	20.000	16.500	3.500
20B-1	T1 104 515	45.000	15.000	19.000	4.200
24B-1	T1 116 015	60.000	15.000	24.700	5.500

Plastic Guide Rails Steel Reinforced Horizontal

Dimensions (mm)

Chain ISO No.	Part No.	A	B	C	D	E
08B-1	CT 4/1	20.000	9.000	7.500	2.200	11.000
08B-1	CT 6/2	17.000	12.000	7.500	2.200	17.000
10B-1	CT 8/2	17.000	12.000	9.300	2.600	17.000
12B-1	CT 9/2	20.000	12.000	11.300	2.400	17.000
12B-1	CT 10/3	23.500	12.000	11.300	2.400	18.000
16B-1	CT 11/3	23.500	12.000	16.500	3.500	18.000
20B-1	CT 12/3	28.000	12.000	19.000	4.300	18.000
24B-1	CT 13/5	33.000	25.000	24.700	5.500	30.000

Plastic Guide Rails Steel Reinforced Vertical

Dimensions (mm)

Chain ISO No.	Part No.	E	F	G	H
06B-1	CGK 1/6	24.000	30.000	8.700	6.600
08B-1	CGK 5/6	24.000	30.000	11.500	8.700
10B-1	CGK 7/6	24.000	30.000	13.500	10.400
12B-1	CGK 8/6	24.000	30.000	15.900	12.300
16B-1	CGK 9/9	40.000	45.000	25.000	16.100
20B-1	CGK 10/9	40.000	45.000	28.000	19.300



Chain Pin Extractor

Do you have to grind chain to cut it? Renold makes cutting chain easy. Using the Renold Chain Pin Extractor cutting chain is effortless, it takes just seconds and there's no mess.

www.renoldpinextractor.com



Chain Wear Guide

Measure chain extension easily and accurately with chain wear guides from Renold. Running a worn chain will reduce efficiency. Available individually or as a set, these tools help you to improve your chain drive performance, prevent accelerated sprocket tooth wear and minimise operational noise.

www.chainwearguide.com



Renold Klik-Top polymer block chain

Renold Klik-Top polymer block chain is a modern alternative to conventional polymer block chain. If you need to remove a Klik-Top block it's easy, no need to disassemble the chain. Renold: making life easier!

www.kliktopchain.com

Renold Chain Selector

The new Chain Selector from Renold has been launched, making it even easier to specify the right transmission chain for the job. You can quickly and easily generate a selection, alter parameters to include environmental factors like corrosion or lubrication and even allow for applications with shock loads.

www.renoldchainselector.com

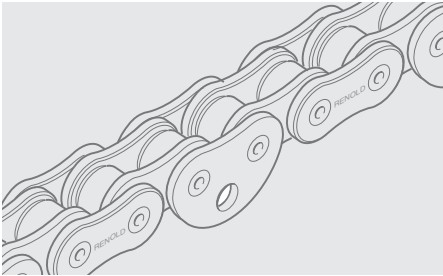


Section 2

Industry Applications



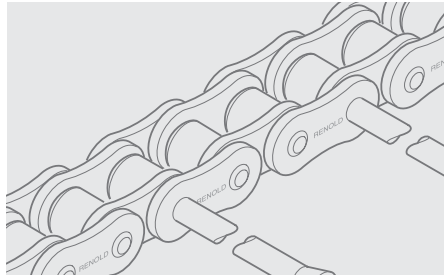
Special Engineered Chain



Aircraft chain

- 8mm to 12.7mm pitch
- Conforms to BAe spec.

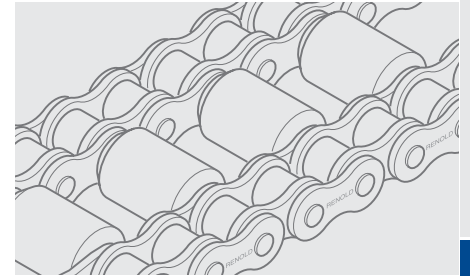
Renold aircraft chain provides a flexible connection for use in control systems and other operating gear, including the transmission of power, where a positive tension is required.



Can manufacture

- 9.05mm and 25.4mm pitch chain.

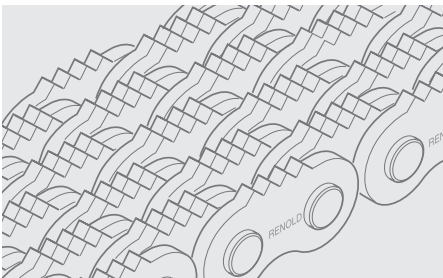
Standard and hollow bearing pin transmission chain fitted with plastic tipped, extended bearing pins used for transporting freshly painted cans through drying ovens. Special high temperature lubricant available on this product.



Escalator drive chain

- 584107
- 25.4mm pitch
- Breaking load 129.4 kN.

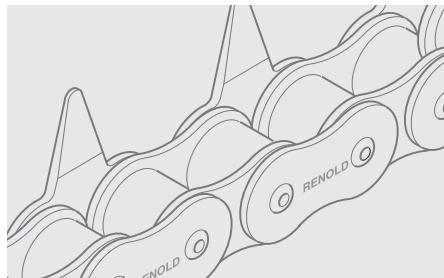
Two strands of matched chain connected by extended bearing pins and fitted with plastic rollers for silent drives in escalators.



Pipe wrench chain - oil industry

- 586 927
- 31.75mm pitch.

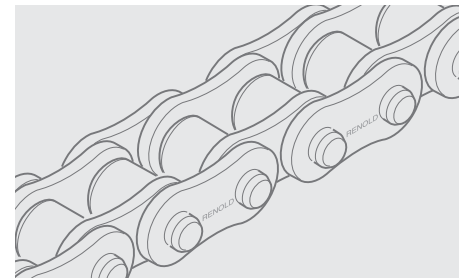
The oil industry use a pipe wrench chain system to assemble 'Down Hole Pipes'.



Polythene film production

- 6.35mm to 38.1mm pitch.

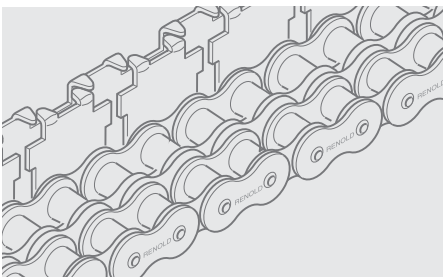
Sharpened spiked shaped attachments pierce the polythene and pulls it through various production processes.



Quarry chain - for rock drilling

- ANSI HV series 50.8mm pitch.

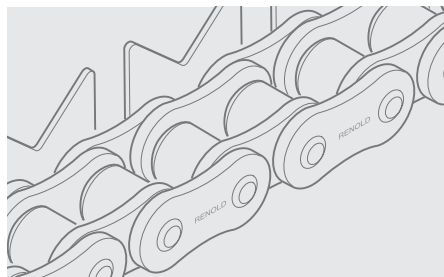
Face rock drilling machines with six chain driven heads are used to drill holes for explosive charges.



Sheet metal handling

- 19.05mm pitch and 25.4mm pitch chain.

'Bent-claw' attachments hold square rods which support steel sheets through printing and drying processes.



Small component manufacture

- 8mm, 12.7mm and 15.8mm pitch chain.

A typical V-shaped attachment plate used to locate small electrical components such as resistors and capacitors, through various production processes. The chains generally run in pairs with plates formed to suit specific products.

Aircraft Chain



Quality

Renold has manufactured and supplied chain for all types of aircraft for about 100 years and the company has been able to issue inspection certificates since 1927. Renold is an approved supplier to British Aerospace (Approval No. BAe/AG/3049/CHD).

The technical guidance notes detailed in this catalogue should be read in conjunction with the current requirements of the above mentioned and other similar authorities.

Function

Chain provides a flexible connection for use in control systems or other applications, including the transmission of power, where positive tension is required.

Correct and economical application of chain is, however, largely dependent upon an appreciation of the methods available for effecting connection of the chain to other parts of the system. When standard Renold chain and non-reversible chain are used in conjunction with the appropriate sprockets, guards and connectors, they make incorrect assembly impossible.

With the development of new aircraft, applications for chain are continuously increasing. Our technical staff are at the disposal of design engineers and manufacturers for collaboration in the application of chain for aircraft use.

Typical applications within the industry are:

Controls

- Ailerons
- Aileron trimming tabs
- Control columns
- Elevators
- Elevator trimming tabs
- Engine
- Propeller pitch
- Rudder
- Rudder trimming tabs

Operating gear

- Cowl gill
- Cockpit hood
- Door operation
- Fire interrupter
- Fuel valve
- Flight refuelling systems
- Engine nozzle rotation
- Landing flaps
- Loading hoists
- Radiator shutter
- Seat adjustment

Specification

Adaptability

The adaptability of chain makes it ideal for control runs. Changes in directions are readily made by the use of guide pulleys or sprockets. By the inclusion of bi-planar blocks, changes in the plane of motion through 90 degrees can be made.

Durability and strength

Our specification of specially selected steels enhanced by our own heat treatment, apart from providing the highest load/weight ratio, ensures minimum chain wear in service and the ability to withstand the most arduous flying conditions.

Precision manufacturing techniques, coupled with our proven chain specification, provides a positive, smooth and uniform action. The resilience of chain is also a safeguard against shock loading.

Benefits

- Quality/certification
- BAe Approved
- Reliability
- Durability
- Safety
- Flexibility
- A Proven Track Record
- Experience

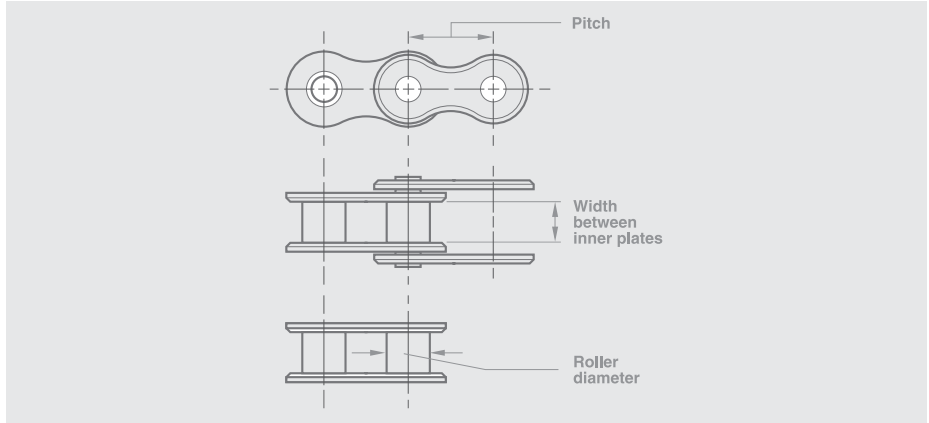


Aircraft Chain



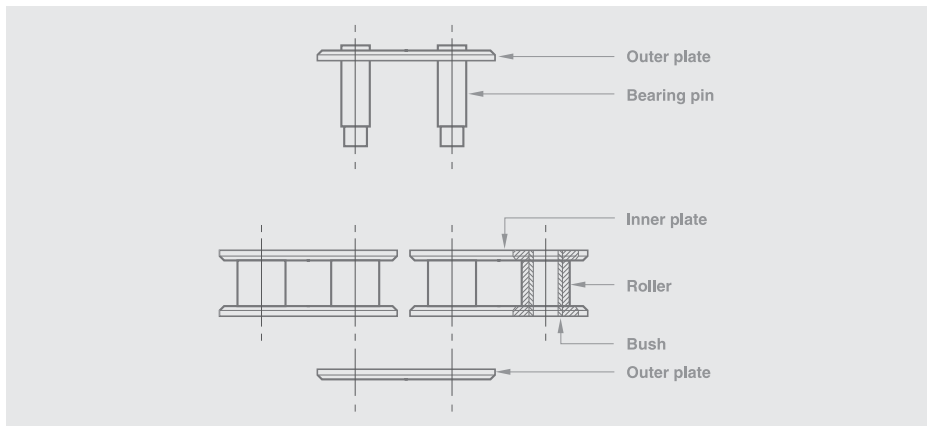
Gearing dimensions

A simple roller chain has three principal dimensions (detailed in diagram one) by which it can be identified. These dimensions, referred to as the gearing dimensions, since they are related to the sizes of the sprockets on which the chain will run, are the PITCH, the WIDTH BETWEEN THE INNER PLATES and the ROLLER DIAMETER.



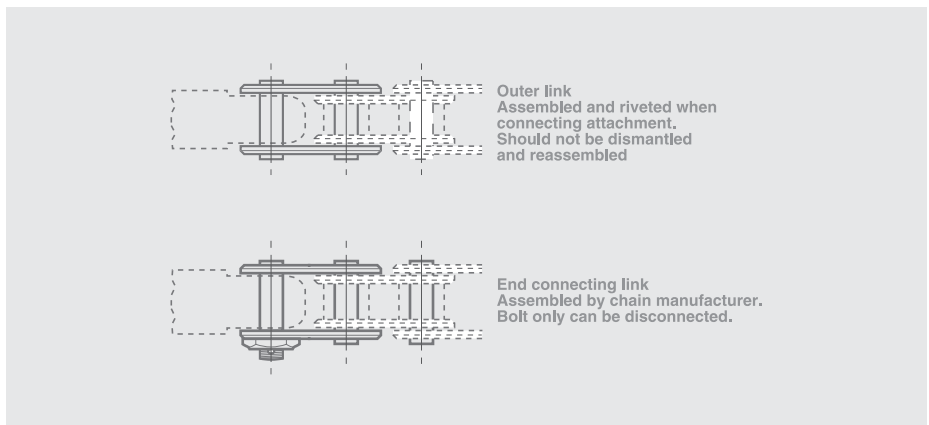
Component parts

The component parts of an outer link and an inner link of a simple roller chain are illustrated in diagram two to demonstrate the method of chain construction.



Attachment links

The various types of attachment link used for attaching components to an aircraft chain are shown in diagram three. Attachments, customer free issue or Renold supplied, should be assembled into the chain by Renold before proof loading takes place.



Outer link

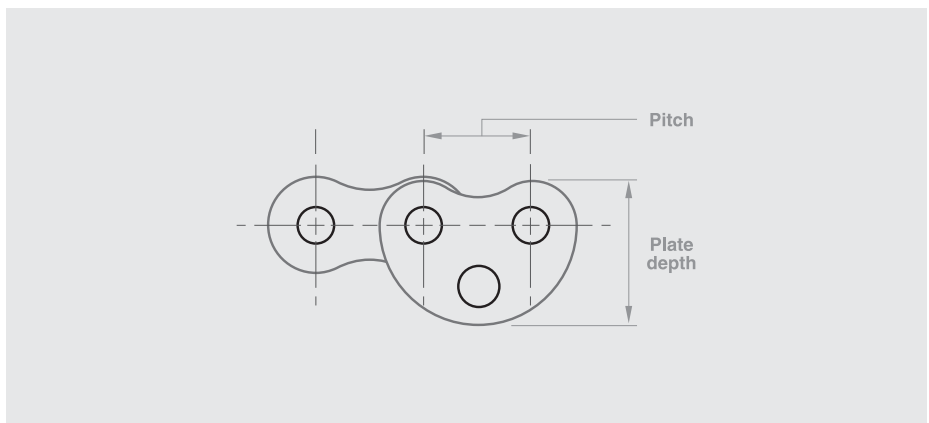
Assembled and riveted into the chain when connecting an attachment. Never dismantle and re-assemble.

End connecting link

Assembled into the chain by Renold. Bolt only may be disconnected.

Non-reversible chain

The component parts of non-reversible chain shown in diagram four are similar to simple chain with the exception of the special outer plates assembled into the chain at four pitch spacing.



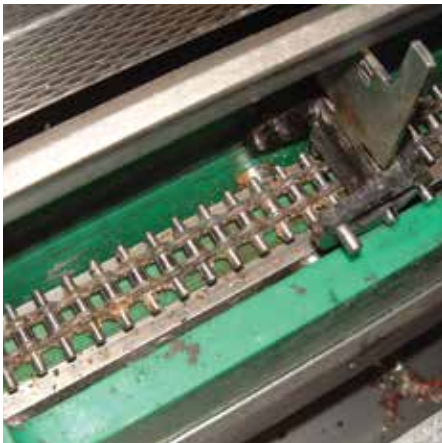
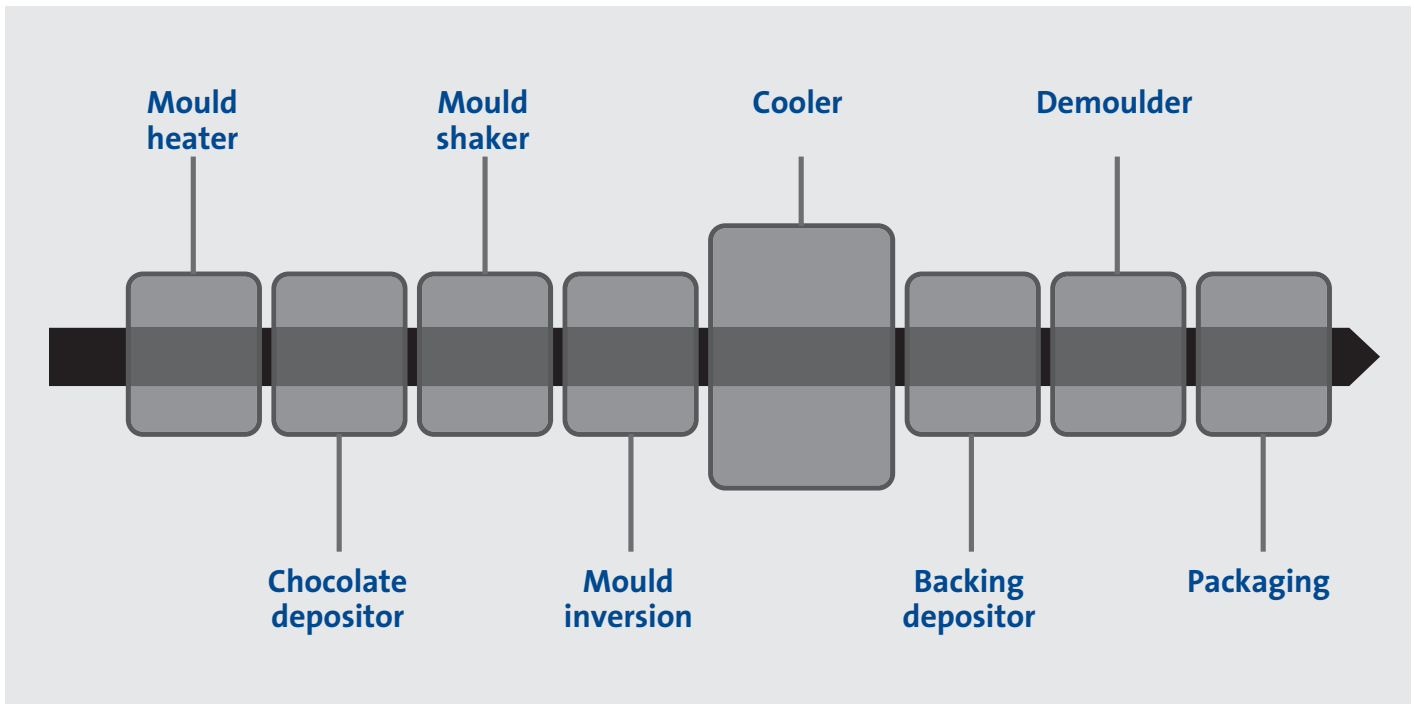
Chocolate Manufacturing

Renold supplies a comprehensive range of chain to meet the demands of manufacturing confectionary products. Environmental requirements such as hygiene are catered for as well as considerations such as corrosion and wear resistance.

Standard and non-standard attachments are available to suit your needs. Renold has the experience to provide products and support to keep your high volume production lines operational.

We don't just provide products that make a difference; you get the best services from Renold too!

At every stage of the process Renold provides exactly what you need. Precision in our chain ensures accurate indexing of moulds along a production line, minimising waste chocolate.



Food Processing

One of the largest and most diverse industries imaginable, the processing, manufacturing and packaging of the world's food products delivers challenges to engineers looking to meet tough productivity targets. This requires first class technical support and the right product for the job.

Renold offers the most comprehensive range of chain products designed for the food industry and works with many of the leading international brand names that we encounter every day.

Chain aimed at reducing maintenance, delivering high levels of resistance to wear, fatigue and corrosion and keeping your production levels at their highest; that's our speciality!



Renold has options, whatever your application environment!

Conditions	The Chain Solution	
Washdown	Syno PB Stainless steel chain	Hydro-Service chain Nickel plated chain Polymer bushed conveyor chain
Corrosive conditions - Mild (pH between 5 and 7)	Syno NP ^{3 4} Stainless Steel ^{1 3 4 5} Steriliser chain ^{1 3 4 5}	Polymer bushed conveyor chain ^{3 4} Hydro-Service chain ³ Nickel Plated ^{3 4}
Corrosive conditions - High (pH below 5 and above 7; temperatures above 60°C)	Nickel Plated	Stainless Steel ²
Cannot lubricate	Syno NP	Syno PB
Direct contact with food	Stainless steel	
High shock loads	Standard roller chain Standard conveyor chain	Engineering class chain
Heavy loads	Standard conveyor chain	Renold Synergy
Temperature: Hot or Cold (Between -40°C and 180°C. Above 180°C special lubrication would be required)	Stainless steel Steriliser chain	Standard conveyor chain Engineering class chain
High humidity	Stainless steel Hydro-Service	Steriliser chain
High speed	Standard roller chain Double Pitch roller chain	Can feeder chain
Vertical system	Standard roller chain	Engineering class chain
Indexing / moulding applications	Standard roller chain	Apron chain
High Abrasion	Sovereign	

1 = Suitable for temperatures over 60°C (stainless steel and steriliser chain)
 2 = Suitable for highly corrosive conditions of more than 60°C (stainless steel)
 3 = Suitable for environments associated with general corrosion

4 = Suitable for environments associated with pitting or crevice corrosion such as salt water, moderately high temperatures or a pH of 3 - 5
 5 = Suitable for environments associated with galvanic corrosion

Skid Steer Vehicle Chain



Operating in tough conditions, chain for skid steer vehicles has to be designed to exceed the demands placed upon it. Renold has a wealth of experience supplying chain to manufacturers of these specialist vehicles.

The drive systems deliver high loads and stress which means the chain must be able to withstand wear and fatigue for as long as possible, something that has always been at the very heart of Renold chain design. The sudden shocks caused by rapid changes of direction will soon expose any chain that isn't up to the job.

Using simplex chain from the Renold ANSI Xtra range, with thicker side plates and a through-hardened pin, vehicle manufacturers can be sure that they are specifying a product that meets their own high standards. The chain can also be supplied as endless loops so that sprocket centre distance can be adjusted to accommodate the chain.

- Demanding application requires Renold fatigue resistance
- Plate and pin specification ideal for shock loadings
- Endless loops available
- Tough chain for a tough job





Renold supplies a wide range of chain for lifting applications at ports around the world. With a comprehensive range of both roller and leaf chain for lifting machinery running on either wheels or rails.

The Renold specification of designing chain is to be highly resistant to wear and fatigue delivers lasting performance.

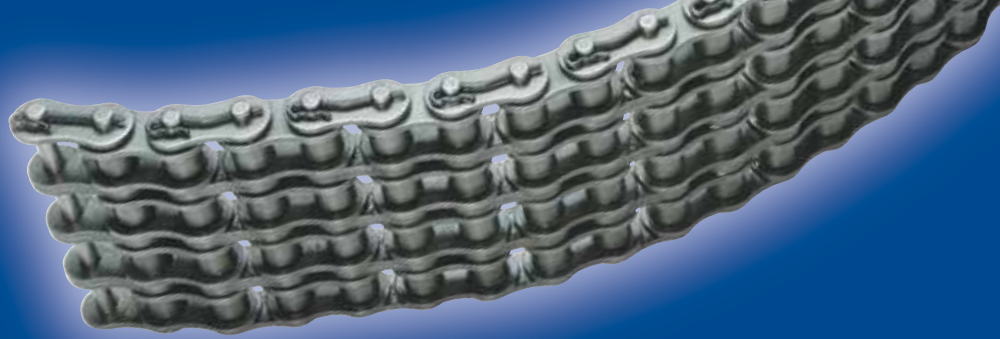
Factors of safety are critical when large payloads are being transported and Renold understands the importance of ensuring long working life based on product integrity.

- ANSI standard large pitch roller chain
- Differing specifications to suit application
- Wide range of leaf chain sizes
- Galle chain also available



Renold Oilfield chain

is best because...



Renold Oilfield Chain

- Manufactured to API specification 7F-0008
- Proven longer life in offshore environments
- Supreme performance at high speed and shock loads
- Excellent return on investment



7F-0008

Function

Renold oilfield chains are used on:

- Mud pump drives
- Engine compounds
- Tubular and casing draw works input
- Transmission drives
- Catshafts
- Low and high drum
- Rotary countershafts
- Rotary tables

In fact wherever chains are required in oilfields because reliability is paramount.

Key Features

- Close control of material specifications to ensure consistent response to heat treatment
- Renold's plate profile ensures optimum stress distribution for greater reliability
- Fatigue life is enhanced by shot peening and other pre-stressing processes on plates, bushes and rollers

- Renold's special holing processes for oilfield chain were specifically developed to give improved fatigue resistance while minimising susceptibility to stress corrosion cracking
- Bearing pins undergo customised heat treatment and surface finish operations to ensure unsurpassed toughness and wear life
- Closely controlled tolerances ensure smooth robust running even at high speeds.
- Specially formulated factory lubrication gives substantially better initial wear performance and enhanced corrosion resistance.
- Detachable chains for ease of fitting and replacement.
- All chains are proof loaded before packing in durable containers.
- Roll pins optional for extra security.

Product Description

As standard Renold offer chain:

- To API specification 7f-0008
- Fully detachable along its length
- Both Split and roll pin options are available on all sizes, although roll pin recommended on quadruplex and above
- With slip fit intermediate plates

Options available on request include:

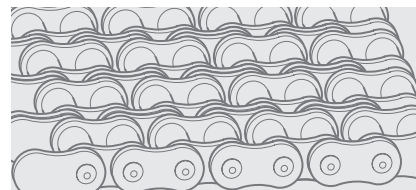
- Split pins/roll pins
- Press fit intermediate plates
- Special lubrication
- Renold ANSI Xtra for particularly arduous conditions
- Pipe wrench chain

Many common oilfield chains are held in stock at our factories and many outlets worldwide.

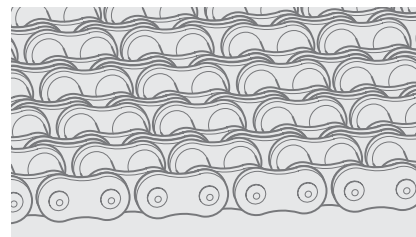
Chain types



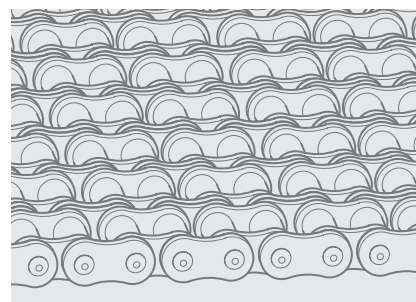
▲ Duplex chain – Standard
ANSI B29.1 ISO 606 A



▲ Quadruplex chain – Standard
ANSI B29.1 ISO 606 A



▲ Sextuplex chain – Standard
ANSI B29.1 ISO 606 A

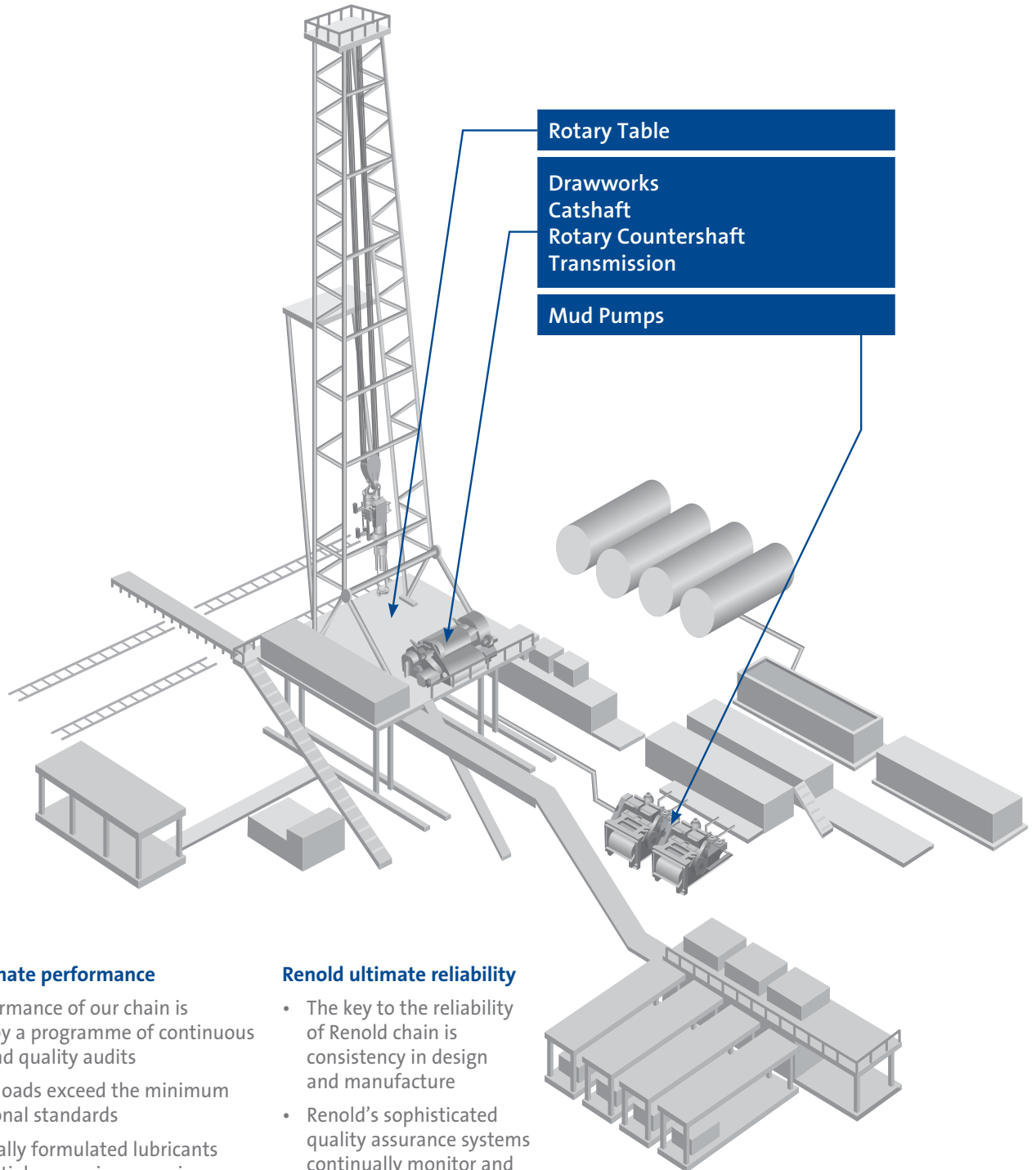


▲ Octuplex chain – Standard
ANSI B29.1 ISO 606 A



▲ Pipe wrench chain – Special

Renold Oilfield chain



Renold ultimate performance

- The performance of our chain is ensured by a programme of continuous testing and quality audits
- Breaking loads exceed the minimum international standards
- Our specially formulated lubricants reduce initial wear, give corrosion protection and ensure long storage life
- Renold chain is highly fatigue resistant giving up to four times the life of other brands
- Fatigue life is enhanced by shot peening and other pre-stressing techniques

Renold ultimate reliability

- The key to the reliability of Renold chain is consistency in design and manufacture
- Renold's sophisticated quality assurance systems continually monitor and improve our output
- For more than 100 years Renold has had a proven track record in demanding, arduous industries

Steel Industry Chain



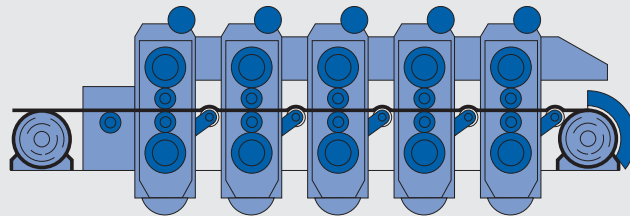
Wherever arduous conditions, corrosion and wear occur... steelmakers demand Renold Chain

The steel industry covers many varied activities, from raw material processing to finished product handling, each stage having its own particular needs from the power transmission and mechanical handling equipment used.

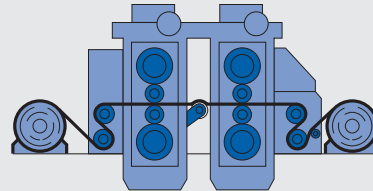
When corrosion, slipping or excessive wear occur on transmission or mechanical handling equipment used on steel processing lines the equipment can quickly take a turn for the worse, resulting in damaged product, expensive maintenance and replacement costs. That's why more and more steelmakers rely on Renold Chain to help their equipment last longer and operate more efficiently.

Renold are helping to improve equipment performance and are reducing maintenance requirements right down the line. Wherever the destructive forces of high speed operation exist, from cold reduction mills to hot dip coating lines, steelmakers around the world insist on Renold Chain.

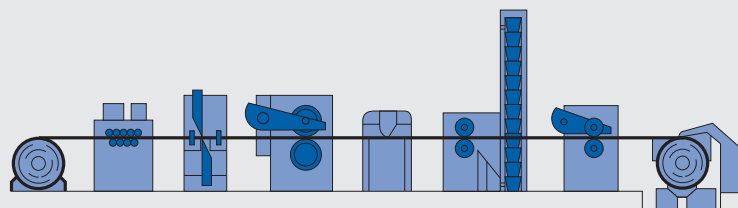
Cold Reduction Mill



Temper Mill



Slitter Lane



Steel Industry Chain

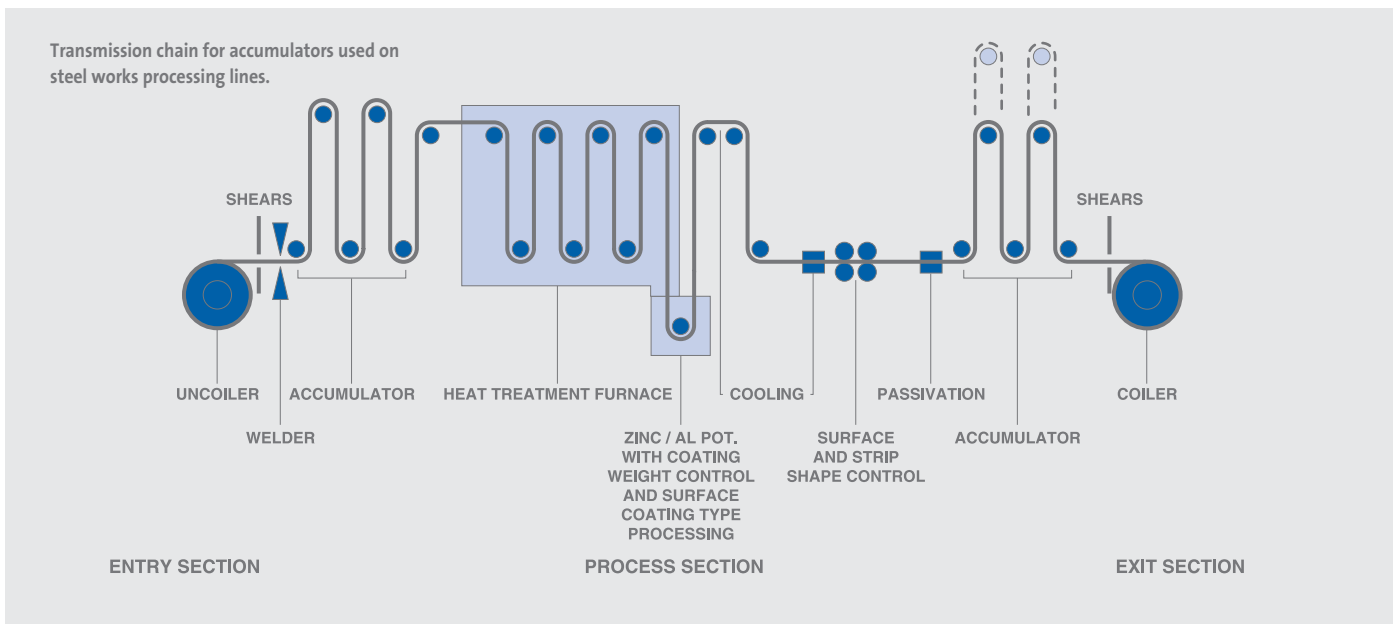


Accumulator Chain

Key Applicational Areas

- Casting
- Coil handling
- Coil treatment
- Sheet handling
- Raw material processing
- Slab handling
- Steel section manufacture/handling
- Tube manufacture

Hot Dip Coating Line



When coils of thin steel plate have been produced it is sometimes required to be coated - painted, galvanised or plastic coated.

Obviously, the coating process, whichever type it is, necessitates numerous operations and tight control - especially the speed at which the steel passes through the process area. It is, therefore, necessary that the steel plate being coated passes through the process section at a constant speed and is continuous and uninterrupted.

For this reason it is necessary to accumulate the steel plate before the process area to allow time, say 2 to 3 minutes, so that when the end of the coil is reached a new coil can be positioned and the beginning of the new one welded to the end of the previous one.

Safety warning

Outer Link: for high speed drives or drives operating in arduous conditions a properly riveted outer link (No 107) must always be used for optimum security, in preference to any other form of chain joint. The use of other connectors and cranked links (No 12 and No 30) must always be restricted to light duty, non-critical applications, in drives where an odd number of pitches is absolutely unavoidable. Wherever possible, drives should have sufficient overall adjustment to ensure the use of an even number of pitches throughout the useful life of the chain. A cranked link joint should only be used as a last resort.

Health and Safety at work

In the interests of safety, customers are reminded that when purchasing any technical product for use at work (or otherwise), any additional or up-to-date information and guidance, which it has not been possible to include in the publication, should be obtained by you from your local sales office in relation to the suitability and the safe and proper use of the product. All relevant information and guidance must be passed on by you to the person engaged in, or likely to be affected by or responsible for the use of the product.

Chain performance

The performance levels and tolerances of our product stated in this catalogue (including without limitation, serviceability, wear life, resistance to fatigue, corrosion protection) have been verified in a programme of testing and quality control in accordance with Renold, independent and/or international standard recommendations.

No representations or warranties are given that our product shall meet the stated performance levels or tolerances for any given application outside the performance levels and tolerances for the product's own specific application and environment.

Guidance notes

Whilst all reasonable care in compiling the information contained in this catalogue is taken, no responsibility is accepted for errors. All information contained in this catalogue is subject to change without notice.

Illustrations - The illustrations used in this catalogue represent the type of product described but the goods supplied may vary in some detail from those illustrated.

Specifications - The right is reserved to make modifications to the product to meet manufacturing conditions and/or developments (for example in design or materials).

Renold - Product can be supplied by Renold companies or representatives around the world on the standard terms and conditions of sale of the company or representative from which the product is purchased.

© Renold Power Transmission Limited 2014. All Rights Reserved.

Nothing contained in this publication shall constitute a part of any contract, expressed or implied.

For more information contact
your local sales team below or visit

www.renold.com

Australia

Tel: + 61 (0) 3 9262 3333
e-mail: melsmg@renold.com.au

Austria

Tel: + 49 (0) 5562 810
e-mail: info@renold.de

Belgium

Tel: + 32 (0) 9 242 95 50
e-mail: info@renold.be

Canada

Tel: (800) 265 9970
e-mail: inquiry@renoldcanada.com

China

Tel: + 86 21 5046 2696
e-mail: sales@renold.cn

Denmark

Tel: + 45 (0) 434 526 11
e-mail: denmark@renold.com

France

Tel: + 33 (0) 320 16 2929
e-mail: contact@brampton-renold.com

Germany

Tel: + 49 (0) 5562 810
e-mail: info@renold.de

Hungary

Tel: + 49 (0) 5562 810
e-mail: sales@renold.co.hu

India

Tel: +91 (0) 4324 281283
e-mail: india.marketing@renold.com

Malaysia

Tel: + 603-5122 7880
e-mail: malaysia@renold.com

Netherlands

Tel: + 31 (0) 20 614 6661
e-mail: info@renold.nl

New Zealand

Tel: + 64 (0) 9 828 5018
e-mail: aksales@renold.co.nz

Philippines

Tel: + 63 2 829 6086

Poland

Tel: + 48 663 84 2487
e-mail: info@renold.pl

Romania

Tel: + 49 (0) 5562 810
e-mail: renold.romania@yahoo.co.uk

Russia

Tel: + 7 495 645 2250
e-mail: info@renold.ru

Scandinavia

Tel: + 45 43 45 26 11
e-mail: infor@renold.com

Singapore

Tel: + 65 6760 2422
e-mail: sales@renold.sg

South Africa

Tel: + 27 (0) 11 747 9500
e-mail: sales@renold.co.za

Sweden

Tel: + 45 (0) 434 526 11
e-mail: sweden@renold.com

Switzerland

Tel: + 41 (0) 44 824 8484
e-mail: duebendorf@renold.com

UK

Tel: + 44 (0) 161 498 4600
e-mail: ukchain@renold.com

USA

Tel: (800) 251 9012
e-mail: sales@renoldjeffrey.com

*For other country distributors please consult
www.renold.com.*

*Whilst all reasonable care is taken in compiling
the information contained in this brochure, no
responsibility is accepted for printing errors.*

*All information contained in this brochure is
subject to change after the date of publication.*

© Renold Power Transmission 2014.
Ref: REN1 / ENG / 07.14

For more information visit

www.renold.com

or call **+44 (0) 161 498 4600**



The only true high-performance chain on the market.



Maintenance free chain for lubrication-sensitive environments.



Superior corrosion resistance for longer working life.



Still the benchmark for premier standard transmission chain.



Want to find out more?
Scan this QR code with your smartphone.
No QR reader? Simply download one from your app store.

RENOLD
Superior Chain Technology