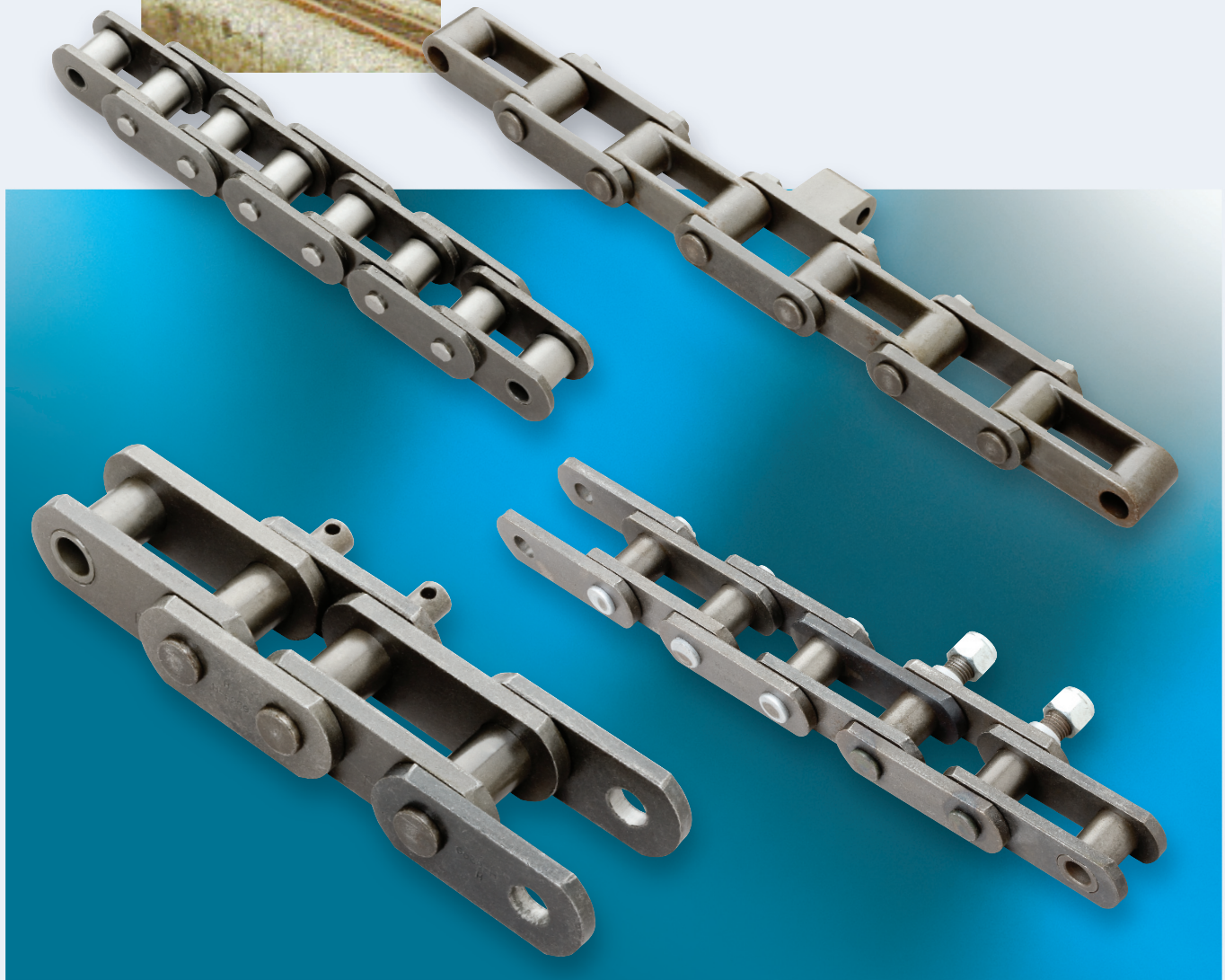
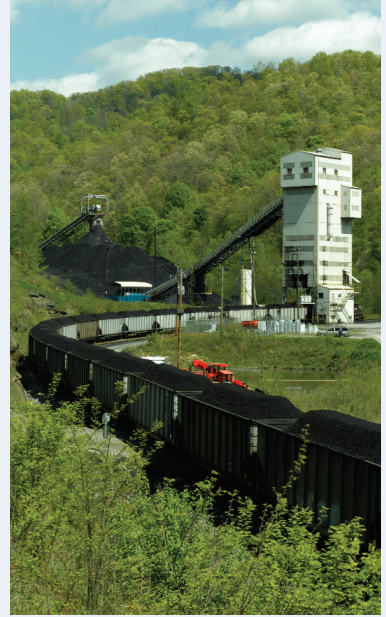
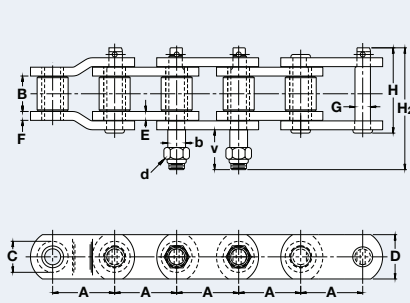


## Mining Chain

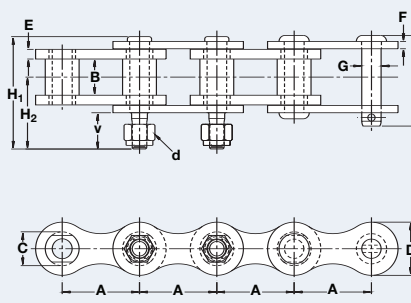
Quality is key to meeting the challenges of heavy-duty mining equipment. Renold Jeffrey Mining Chains are built to last in a wide selection of demanding applications — including shuttle cars, feeder breakers, bridge conveyors, wash boxes and ram drives.

Pins are made of heat-treated alloy steel or case-hardened carbon steel and are press-fit into sidebar holes to reduce wear and to maintain dimensional accuracy. Sidebars are either heat-treated medium carbon or alloy steel. Straight, offset, and figure-8 sidebar constructions are offered.

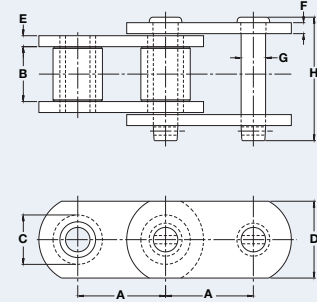




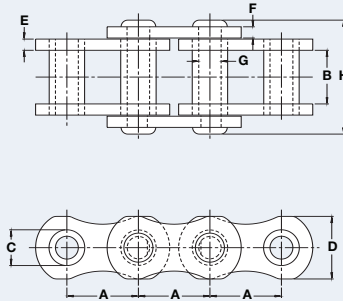
2078P (Straight Style)



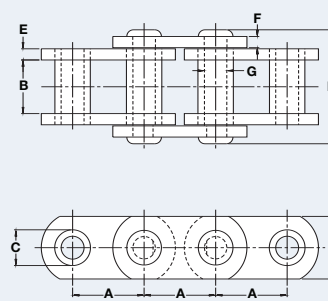
6015 (Figure 8 Style)



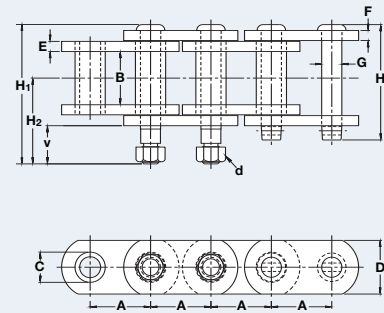
3093 (Straight Style)



6262 (Figure 8 Style)



6263 (Straight Style)

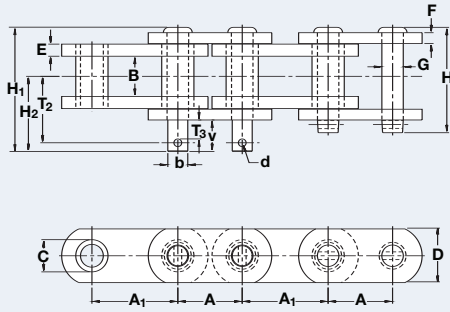


6525PB (Straight Style)

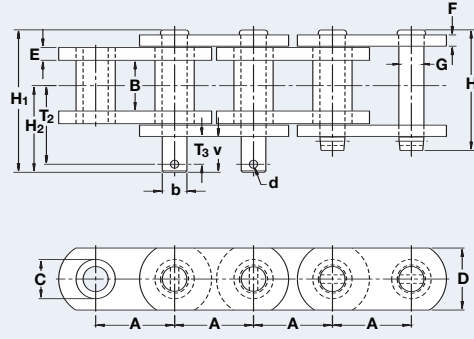
## Engineering Class Bridge Chain

Dimensions are in inches unless otherwise indicated.

Chain No.	Pitch	Inner Width Max	Roller/Bushing Diam Max	Plate Height Max	Inner Plate Thick Max	Outer Plate Thick Max	Pin Diam Max	Pin Length Max						Average Ultimate Strength	Rated Working Load	Weight
	A	B	C	D	E	F	G	H	H <sub>1</sub>	H <sub>2</sub>	b	d	v	Lbs	Lbs	Lbs/Ft
2078P	1.750	1.000	0.875	1.250	0.250	0.250	0.438	2.406	—	3.438	0.500	7/16-20 LOCKNUT	1.125	26,500	2,650	4.84
6015	2.000	0.938	0.875	1.375	0.250	0.190	0.500	2.344	2.910	1.860	—	3/8-16 LOCKNUT	1.859	32,000	2,500	3.90
3093	2.000	1.250	1.125	1.750	0.250	0.250	0.557	2.813	—	—	—	—	—	36,500	3,900	5.70
6262	2.000	1.500	1.000	1.750	0.313	0.313	0.625	3.188	—	—	—	—	—	60,500	4,600	8.10
6263	2.000	1.500	1.000	1.750	0.313	0.313	0.625	3.188	—	—	—	—	—	60,500	4,600	8.80
6525PB	2.250	1.984	1.125	2.000	0.375	0.375	0.750	4.297	5.187	3.195	—	5/8-11 LOCKNUT	1.422	76,000	7,200	12.60



6539H Feeder Breaker Chain

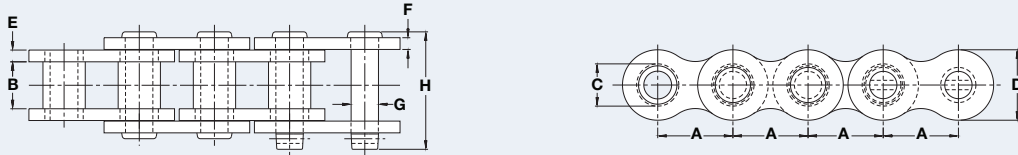


6569H Feeder Breaker Chain

Engineering Class Feeder Breaker Chain

Dimensions are in inches unless otherwise indicated.

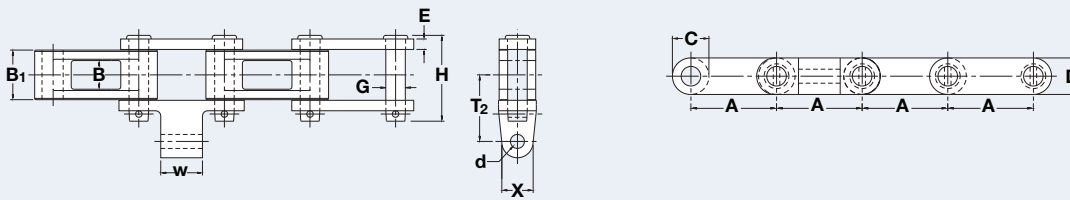
Chain No.	Pitch		Inner Width Max	Bushing/ Knuckle Diam Max	Plate Height Max	Inner Plate Thick Max	Outer Plate Thick Max	Pin Diam Max	Pin Length Max	H <sub>1</sub>	H <sub>2</sub>	T <sub>2</sub>	T <sub>3</sub>	b	d	v	Average Ultimate Strength	Rated Working Load	Weight
	A	A <sub>1</sub>																	
6539H	3.000	4.000	1.875	1.500	2.500	0.562	0.500	0.995	4.906	5.781	3.500	3.094	0.882	0.928	0.360	1.469	168,000	10,500	26.30
6569H	3.500	—	2.250	1.740	2.750	0.562	0.500	1.113	5.344	6.310	3.841	3.484	1.055	1.092	0.358	1.591	160,000	13,000	23.90



## Engineering Class Ram Drive Chain

Dimensions are in inches unless otherwise indicated.

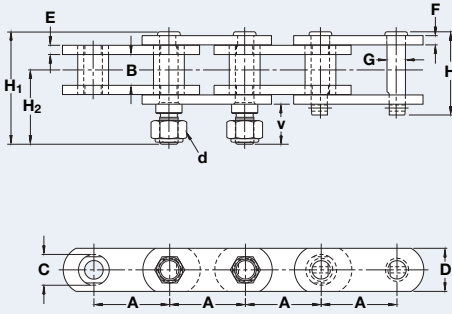
Chain No.	Pitch	Inner Width Max	Bushing/ Knuckle Diam Max	Plate Height Max	Inner Plate Thick Max	Outer Plate Thick Max	Pin Diam Max	Pin Length Max	Average Ultimate Strength	Rated Working Load	Weight
	A	B	C	D	E	F	G	H	Lbs	Lbs	Lbs/Ft
JB2R	2.000	1.250	1.250	1.875	0.313	0.313	0.725	3.125	90,000	4,700	8.90



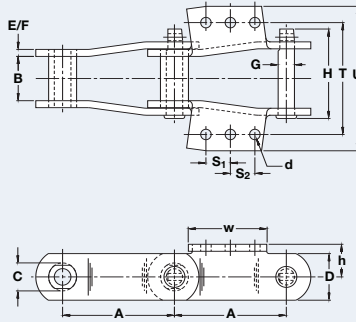
## Engineering Class Shuttle Car Chain

Dimensions are in inches unless otherwise indicated.

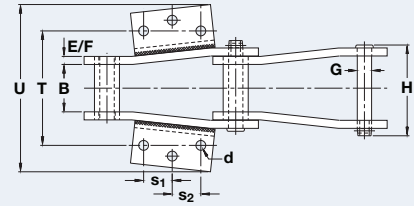
Chain No.	Pitch	Inner Width Max	Bushing/ Knuckle Diam Max	Plate Height Max	Inner Plate Thick Max	Pin Diam Max	Pin Length Max						Average Ultimate Strength	Rated Working Load	Weight
	A	B	B <sub>1</sub>	C	D	E	G	H	T <sub>2</sub>	X	d	w	Lbs	Lbs	Lbs/Ft
C4100	4.100	1.375	2.375	1.750	1.750	0.500	0.940	4.110	3.970	1.500	0.670	2.000	105,000	7,750	11.40



6633



6826



6161PMZ

Engineering Class Wash Box Chain

Dimensions are in inches unless otherwise indicated.

Chain No.	Pitch	Inner Width Max	Bushing/ Knuckle Diam Max	Plate Height Max	Inner Plate Thick Max	Outer Plate Thick Max	Pin Diam Max	Pin Length Max											Average Ultimate Strength	Rated Working Load	Weight
	A	B	C	D	E	F	G	H	H <sub>1</sub>	H <sub>2</sub>	T	U	d	h	s <sub>1</sub>	s <sub>2</sub>	v	w	Lbs	Lbs	Lbs/Ft
6633	3.075	1.250	1.250	1.750	0.375	0.375	0.749	3.375	4.570	3.020	—	—	3/4-10 LOCK-NUT	—	—	—	1.625	—	64,000	5,200	10.20
6826	6.000	2.375	1.500	2.500	0.375	0.375	0.875	4.953	—	—	6.000	7.749	0.563	1.750	1.313	1.313	—	4.000	95,000	9,570	15.00
6161PMZ	9.000	3.313	1.750	2.375	0.530	0.530	1.000	6.547	—	—	8.000	11.691	0.687	1.750	2.000	2.000	—	5.625	149,000	15,000	20.80